

FORMAX[®]

 **atlas-AS**

Air Feed Document Folder

ILLUSTRATED PARTS MANUAL

The Illustrated Parts Manual has been designed to assist when selecting a part or assembly which may be required to service or repair your machine.

The index on page four lists all of the primary assemblies.

The following page demonstrates how to recognize a part from a sub-assembly and shows the quantity contained within the primary assembly.

The primary assembly number and description is listed at the top of the page and should always be quoted when ordering parts or when seeking technical advice.

Before ordering parts confirm that the model number of the machine (listed at the top of page four) is identical to the number stamped on the specification plate.

Whilst checking this, make a note of the serial number also stamped on the plate.

Some components will not be made available individually as they form part of a sub-assembly which may require specialist tools and knowledge to dismantle. The machine may not perform correctly if attempts are made to repair sub-assemblies of this type.

NOTE....

**ALWAYS READ THE OPERATORS MANUAL BEFORE MAKING ANY
ADJUSTMENTS TO YOUR MACHINE AND ALWAYS DISCONNECT THE POWER
SUPPLY BEFORE REMOVING ANY COVERS.**

USING THIS MANUAL.....

CIRCLED ITEM NUMBERS IN LISTS & ON ILLUSTRATIONS INDICATE SUB ASSEMBLIES.

ITEMS LISTED ARE AVAILABLE INDIVIDUALLY AS SPARE PARTS.

10			
11	92 - 039	1	SLIDE FRAME ASSEMBLY - Low
12	95-046	1	SWITCH ASSEMBLY - Set-up
13	95-047	1	SWITCH ASSEMBLY - Feed
14	95-049	1	SWITCH ASSEMBLY - Rotary Setting Dial
15	95-058	1	SWITCH ASSEMBLY - Push Button 1
16	95-059	1	SWITCH ASSEMBLY - Push Button 2
17	95-060	1	SWITCH ASSEMBLY - Push Button 3
18	95-064	1	SWITCH ASSEMBLY - Push Button 4
19			
30			

QUANTITY PER ASSEMBLY

NOTE....

Some sections have footnotes to explain various aspects of the parts lists and accompanying illustrations. They may also include warnings about the fitting of parts, their removal, or the need to use special tools.

TIP....

Some sections have tips to assist you in choosing spare parts for your machine or advice about keeping certain parts readily available to minimise downtime.

WARNING.....

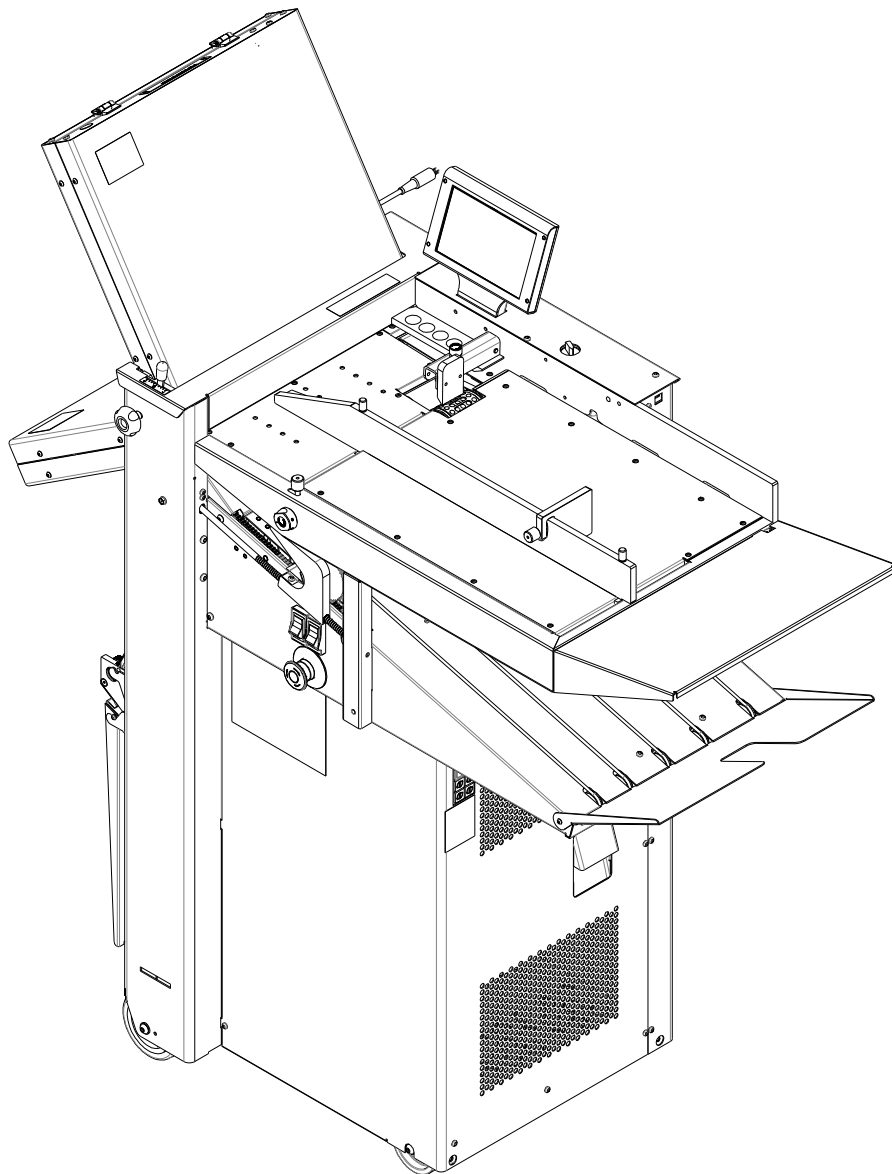
SOME SECTIONS HAVE WARNING NOTICES TO ADVISE YOU ABOUT ACTIONS WHICH MAY IMPAIR YOUR MACHINES PERFORMANCE OR CAUSE UNNECESSARY DAMAGE.

SECTION	ASSEMBLY	DESCRIPTION	PAGE
1	940820S	FINAL ASSEMBLY	6
2	9-01-07	MAIN ASSEMBLY	10
3	9-02-05	DELIVERY ASSEMBLY	14
4	9-03-06	FEED BED ASSEMBLY	16
5	9-06-06	FOLD ROLLER ASSEMBLY	18
6	9-07-15	FOLD PLATE ASSY - Auto Deflect	20
7	9-07-16	FOLD PLATE ASSY - Auto Stop	24
8	9-08-06	STACKER ASSEMBLY	28
9	9-08-14 9-08-15	PERFORATOR ASSY. (Metric) PERFORATOR ASSY. (Imperial)	30
10	95-02-02	CONTROL SYSTEM ASSY.	32
11	95-149-02	LEG ASSY.	33
12	95-193-01	MOTOR BOARD ASSY.	34
13	9-09-01	OPTIONAL REAR DELIVERY ASSY.	36

NOTE....

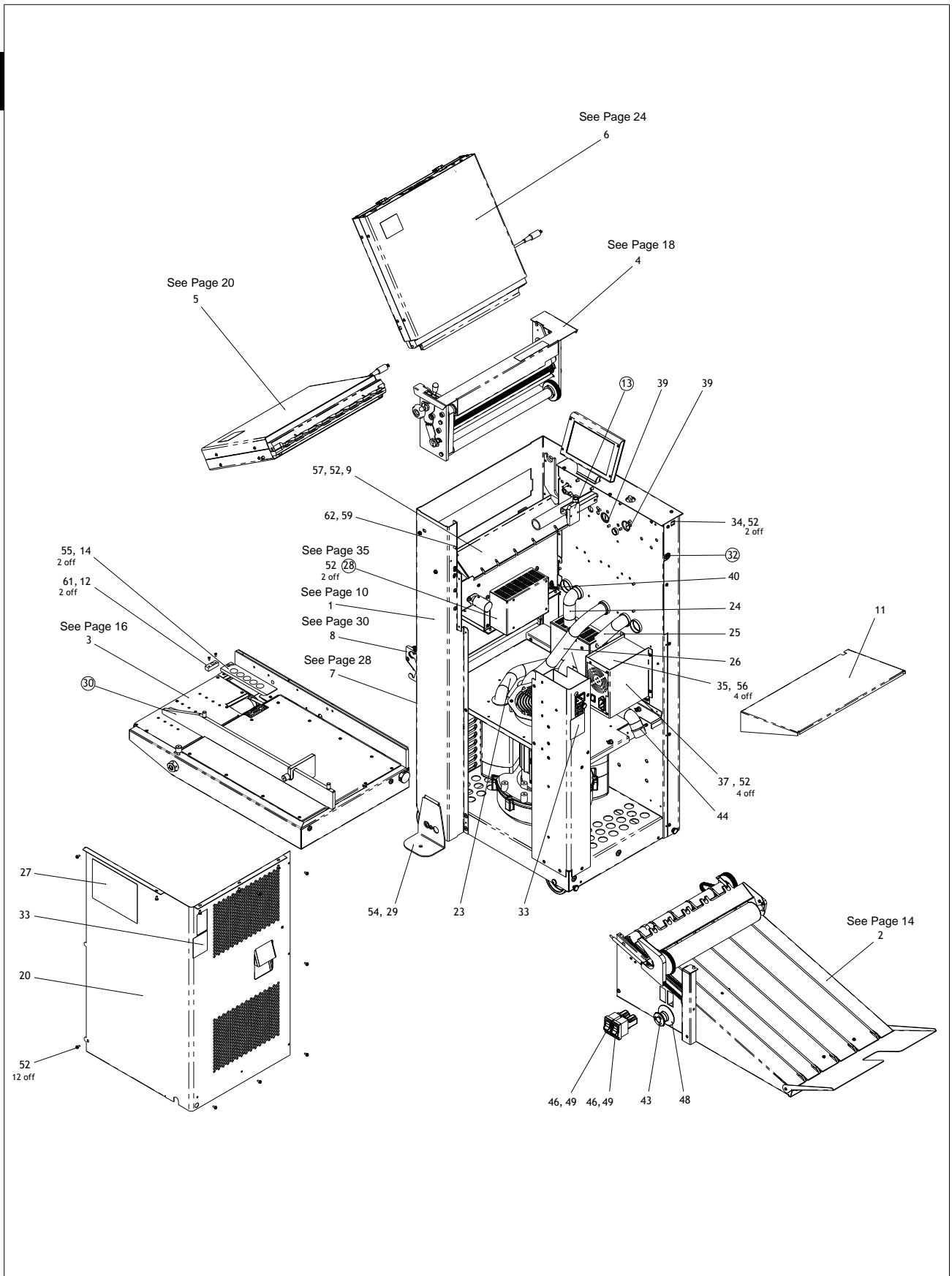
TIP....

To assist you in quickly finding the section you require, there are numbered tabs positioned down the outside edges of each page.

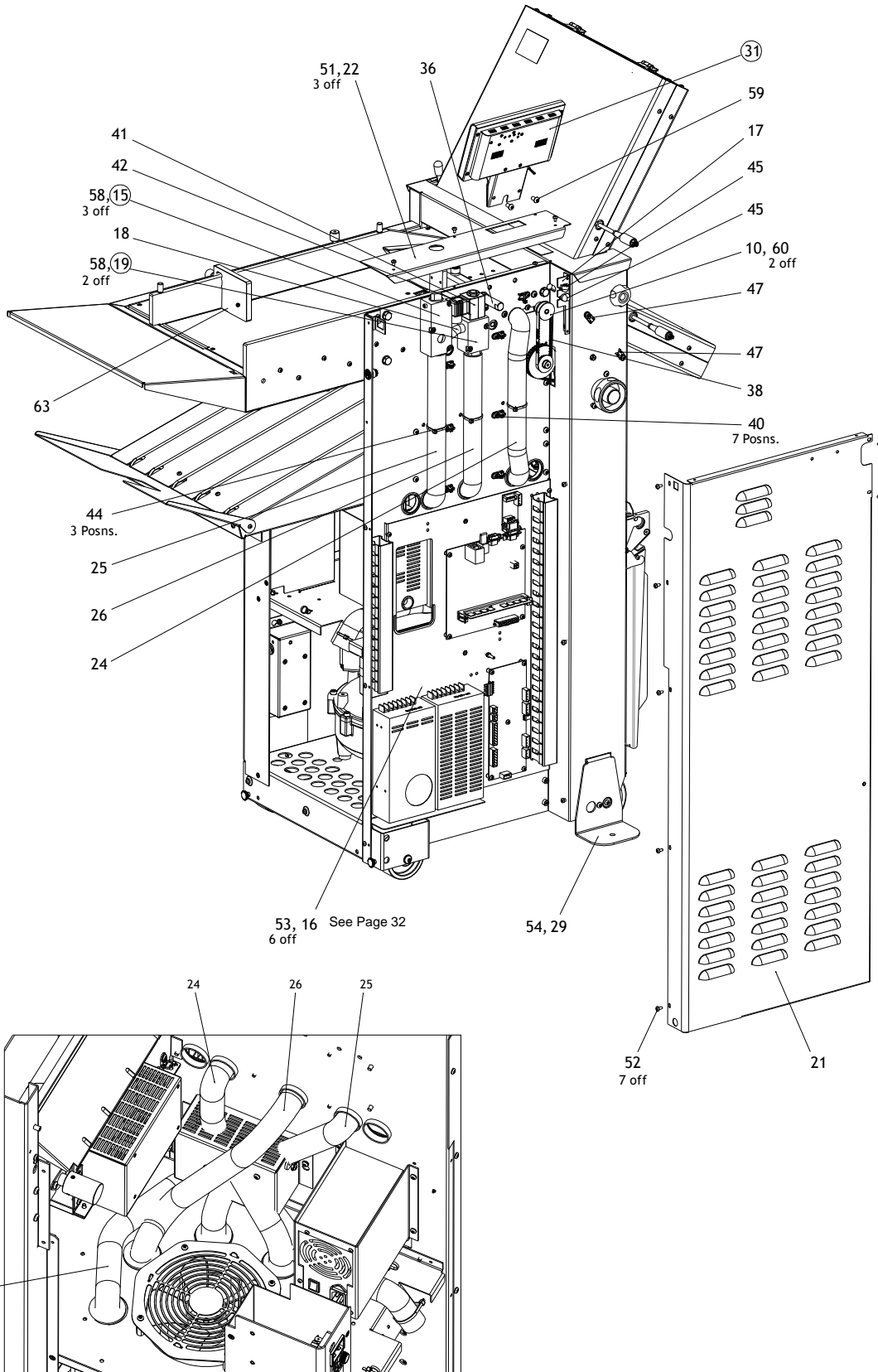


AUTOMATIC PAPER FOLDING MACHINE

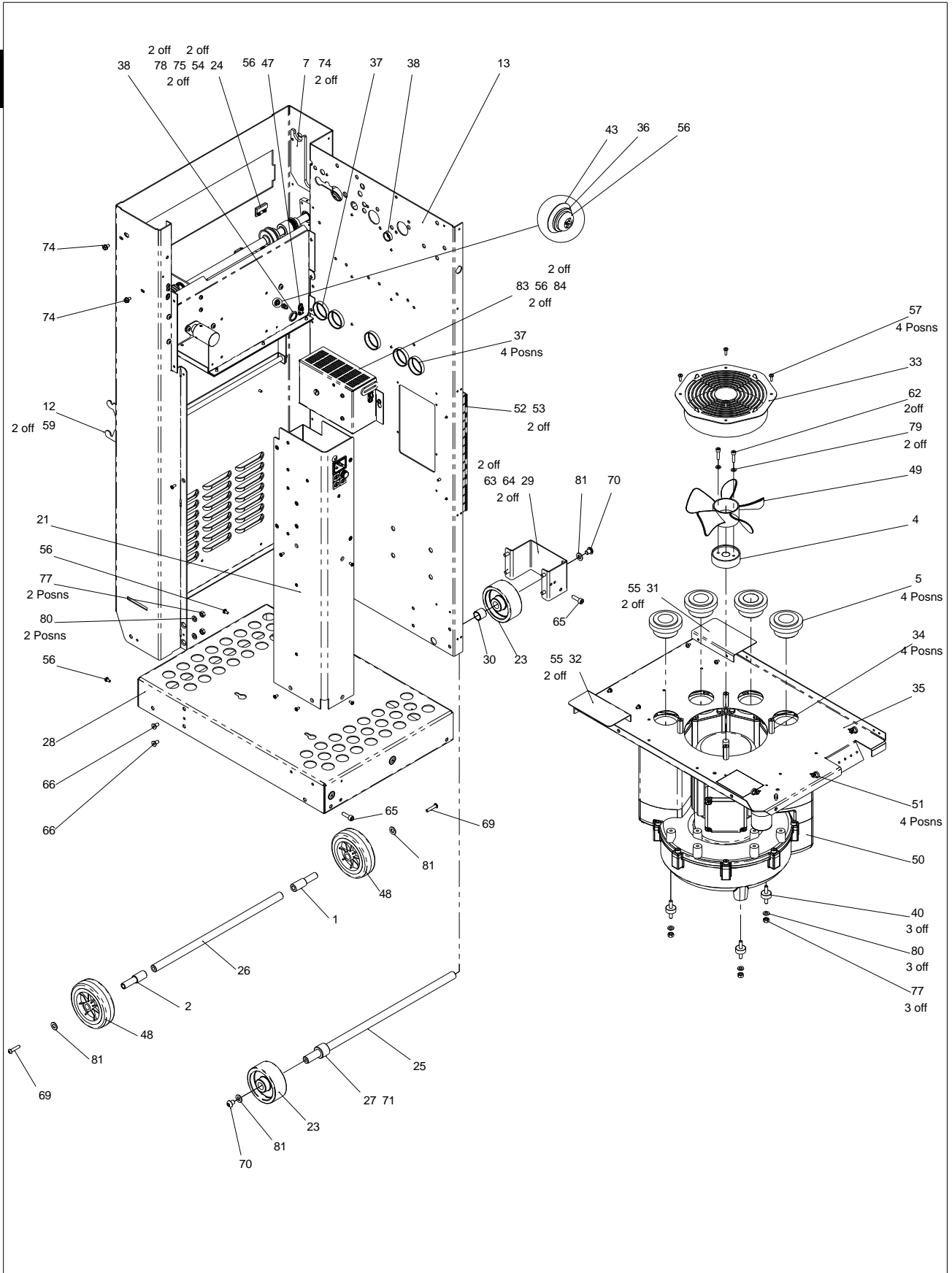
1



1



2

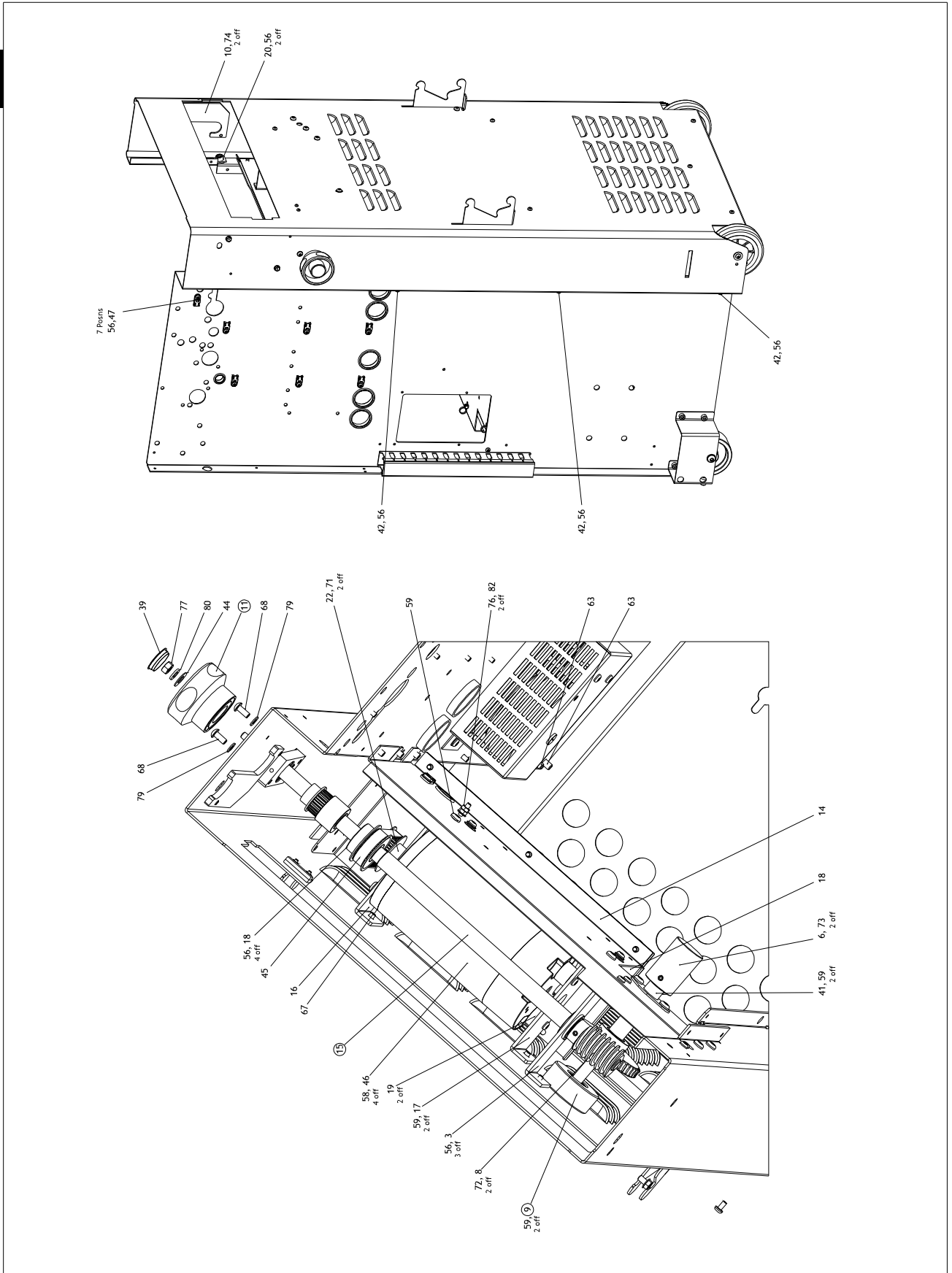


ITEM No.	PART No.	QTY.	DESCRIPTION
1	91-006-06	1	WHEEL TUBE - Lay Side
2	91-006-07	1	WHEEL TUBE - Op. Side
4	91-024-03	1	FAN ADAPTER - Compressor - SV130.
5	91-025	4	BUNG - Compressor Ports.
7	91-033-02	1	LOCATION PLATE - Lay Side
12	91-110	1	STOWAGE SHAFT ASEMBLY -
13	91-150-01	1	MAIN FRAME
(21)	95-149-02	1	LEG ASSEMBLY.
23	62-006	2	NYLON WHEEL.
24	65-070	1	SWITCH - Proximity.
25	71-052-05	1	AXLE - Creaser 33 Mk4.
26	71-052-06	1	AXLE - Creaser 33.
27	71-055-01	1	WHEEL COLLAR
28	71-072-01	1	PLINTH - Creaser 33 Mk4.
29	71-073-01	1	SUPPORT - Wheel Axle.
30	71-079-01	1	SPACER.
31	75-208-02	1	Tower Blank - Lay Side
32	75-208-04	1	Tower Blank - Op Side
(33)	75-229-02	1	Fan Guard Assy - Creaser 33.
34	75-254-02	4	HEX PILLAR - Fan Spacer - M4
35	75-415-01	1	BAFFLE PLATE - Creaser 33 Mk4.
36	173-014-02	2	SHOULDER WASHER - Power Supply.
37	601-015	5	Snap Bushing Ø33.3 x Ø38
38	601-076	2	Snap Bushing Ø15.5 x Ø19
40	601-161	3	VIBRATION MOUNT - Stud.
43	604-037	2	DISC SPRING - Bearing Location
47	613-339	8	CABLE TIE MOUNTING
48	617-008	2	Wheel - Ø100
49	621-025	1	FAN - PLASTIC 5 BLADE 6" CCW
50	621-037	1	BLOWER - SV130 (UL).
51	650-028	4	CABLE TIE MTG. - Push Fit.
52	650-096	1	Open Slot Trunking 25mm x 37.5mm
53	650-097	2	SNAP RIVET - NYLON - Ø4.2 HOLE
54	401-02-030-010	2	Screw - Pan Pozi Taptite - M3 x 10 Lg.
55	401-02-040-006	4	Screw - Pan Pozi Taptite - M4 x 6 Lg.
56	401-02-040-008	30	Screw - Pan Pozi Taptite - M4 x 8 Lg.
57	401-02-040-012	4	Screw - Pan Pozi Taptite - M4 x 12 Lg.
59	401-02-050-008	16	Screw - Pan Pozi Taptite - M5 x 8 Lg.
62	403-01-050-020	2	SCREW - Socket Cap Head - M5 x 20 Lg.
63	403-01-060-010	4	SCREW - Socket Cap Head - M6 x 10 Lg.
64	403-01-060-012	2	SCREW - Socket Cap Head - M6 x 12 Lg.
65	403-01-060-020	2	SCREW - Socket Cap Head - M6 x 20 Lg.
66	404-01-060-012	2	SCREW - Socket Countersunk Head - M6 x 12 Lg.
69	405-01-050-025	2	SCREW - Socket Button Head - M5 x 25 Lg.
70	405-01-080-010	2	SCREW - Socket Button Head - M8 x 12 Lg.
71	409-01-040-006	3	Screw - Skt Set Screw - Flat Pt. - M4 x 6 Lg.
74	415-02-050-008	4	Screw - Hexagon Head - Taptite - M5 x 8 Lg.
75	461-01-030	2	NUT - Full - M3
77	461-01-060	6	NUT - Full - M6
78	481-030	2	WASHER - Plain - M3
79	481-050	5	WASHER - Plain - M5
80	481-060	6	WASHER - Plain - M6
81	481-080	4	WASHER - Plain - M8
(83)	75-530-01	1	TOROIDAL TRANSFORMER ASSY.
84	481-040	2	WASHER - Plain - M4

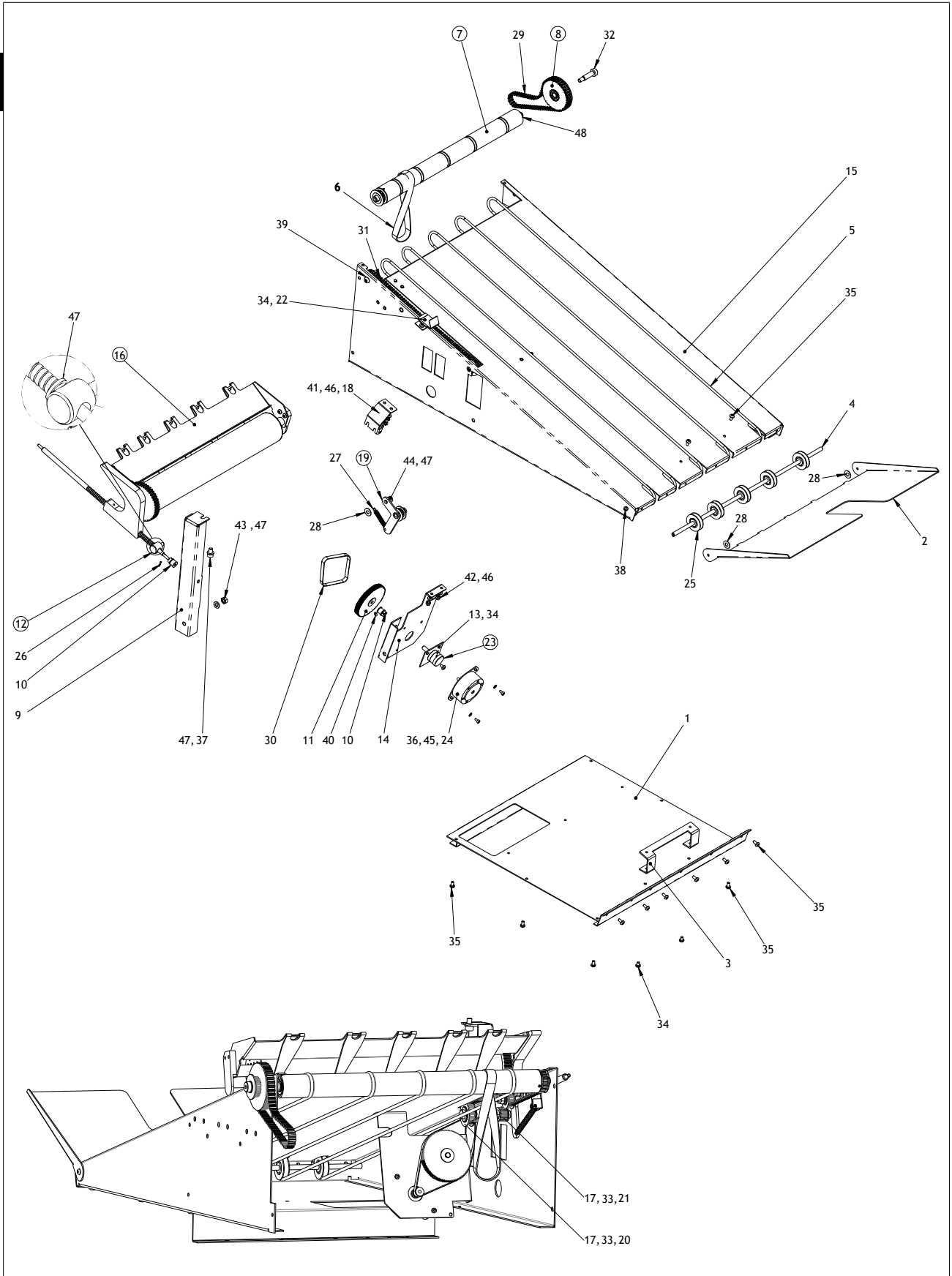
2

THIS SECTION IS CONTINUED ON THE FOLLOWING PAGES

2



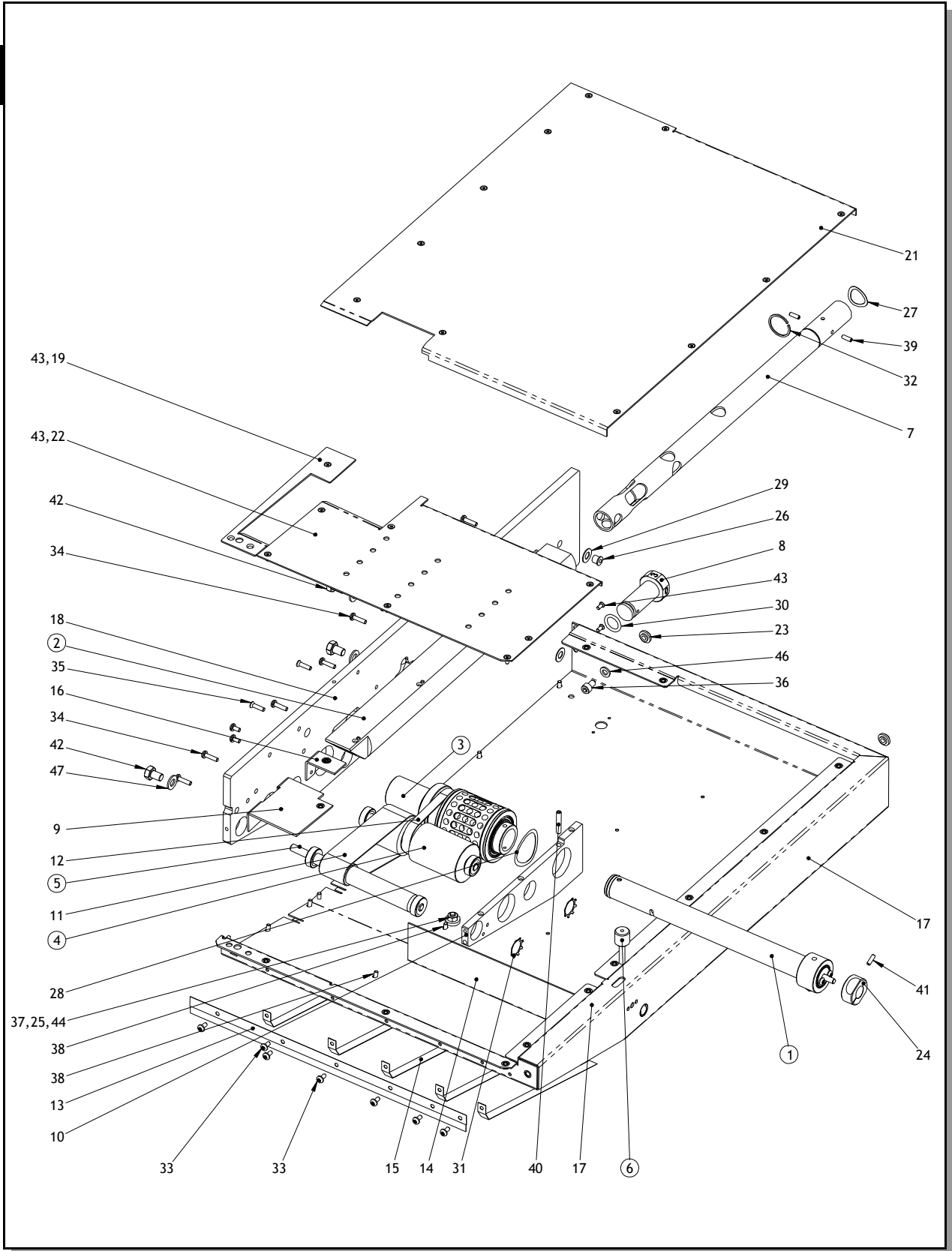
3



ITEM No.	PART No.	QTY.	DESCRIPTION
1	92-002-03	1	DELIVERY COVER - Lower
2	92-003-02	1	STACKER - Hinged.
3	92-004	1	SUPPORT STRAP.
4	92-005-02	1	Shaft-Delivery Idler
5	92-010	5	Transport Belt - Delivery
6	92-027-01	1	Flat Drive Belt - Delivery
⑦	92-029-03	1	CORD ROLLER ASSEMBLY - Delivery
⑧	92-030	1	Delivery Idler Assy
9	92-040-02	1	Grab Handle - Auto - Wide
10	92-042	2	Timing Pulley - T2.5 - 13T
11	92-043	1	Timing Pulley - T2.5 - 84T
⑫	92-045	1	SUPPORT BARREL ASSEMBLY
13	92-049	1	MOUNTING PLATE - Pot.
14	92-052-01	1	Mounting Chassis - Motor - Wide
15	92-058-01	1	DELIVERY FRAME
⑬	92-059-01	1	DELIVERY ROLLER ASSEMBLY
17	92-063-01	2	SPINDLE - Delivery Roller Idler.
18	92-064-01	1	BRACE - Delivery Frame
⑰	92-067-01	1	BELT TENSIONER ASSEMBLY.
⑳	92-069-01	1	DELIVERY IDLER PULLEY ASSEMBLY
㉑	92-069-02	1	DELIVERY IDLER PULLEY ASSEMBLY
22	92-070-01	1	PULLEY GUARD - Delivery.
㉓	95-187	1	Pot & Lead Assy.
㉔	97-076	1	Stepper Motor & Lead Assy
25	602-047	5	Idler Pulley
26	603-069	1	Spirol Pin - Ø5/64" x 3/8" Lg.
27	604-111	1	SPRING - Extension.
28	605-040	3	Thrust Washer - Ø8 x Ø15.88 x 0.79
29	607-022	1	Twin Gip Timing Belt - 140XLD/12
30	607-160	1	Timing Belt
31	607-186	1	Twin Gip Timing Belt - 230XLD/025
32	608-006	1	Shoulder Bolt - Ø8(M6) x 25 Lg.
33	615-010	2	CIRCLIP - EXTERNAL - Ø10
34	401-02-040-006	5	Screw - Pan Pozī Taptite - M4 x 6 Lg.
35	401-02-040-008	14	Screw - Pan Pozī Taptite - M4 x 8 Lg.
36	403-01-030-006	2	SCREW - Socket Cap Head - M3 x 6 Lg.
37	403-01-060-010	1	SCREW - Socket Cap Head - M6 x 10 Lg.
38	405-01-040-008	2	SCREW - Socket Button Head - M4 x 8 Lg.
39	405-01-060-012	1	SCREW - Socket Button Head - M6 x 12 Lg.
40	409-01-040-008	1	Screw - Skt Set Screw - Flat Pt. - M4 x 8 Lg.
41	461-01-040	4	NUT - Full - M4
42	464-01-040	2	NUT - NYLOC - M4
43	461-01-060	1	NUT - Full - M6
44	464-01-060	1	NUT - NYLOC - M6
45	481-030	2	WASHER - Plain - M3
46	481-040	6	WASHER - Plain - M4
47	481-060	4	WASHER - Plain - M6
48	481-080	1	WASHER - Plain - M8

3

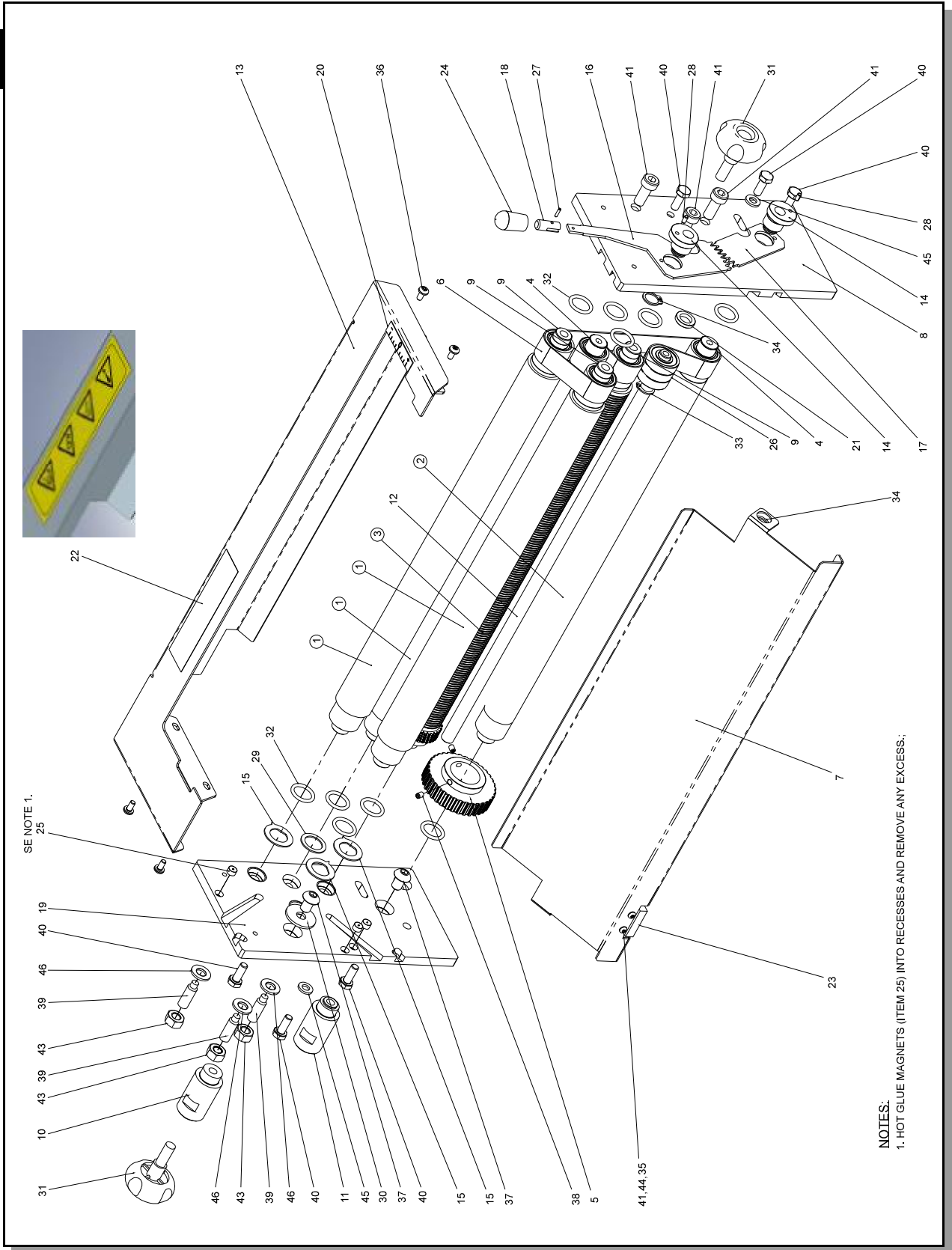
4



ITEM No.	PART No.	QTY.	DESCRIPTION
①	73-05-02	1	CHOKE BLEED ASSEMBLY
②	93-029	1	Manifold Tube Assy
③	93-030-02	1	VACUUM ROLLER ASSY - With Sensor
④	93-031	1	Feed Drum Assy - Idler
⑤	93-032	1	Feed Drum Assy - Drive
⑥	92-054	1	KNOB ASSY. - Choke Adjuster.
7	93-004	1	Air Distribution Tube
8	93-005	1	Knob - Air Distribution
9	93-007	1	BELT SUPPORT.
10	93-010	1	Support Plate
11	93-021	1	Feed Belt
12	93-022	1	Vacuum Roller Drive Belt
13	93-024-02	1	Anti-Static Brush Strip
14	93-027-02	1	Baffle - Feed System
15	93-028	5	Smoother - Delivery
16	93-033	1	Support Bracket - Control Bed
17	93-040-01	1	FRAME - Feed System
18	93-041-01	1	MANIFOLD PLATE
19	94-003	1	CONTROL BED.
20	94-021	1	LABEL - Papergate 'UP'.
21	94-051-02	1	LOADING TABLE
22	94-052-02	1	Feed Bed
23	73-004	2	Key Hole Latch - Creaser
24	73-066-01	1	KNOB - Vac Bleed
25	51-095	1	Clamp Washer
26	601-088	1	Spring Plunger - Press In
27	604-060	1	WAVED WASHER.
28	604-062	1	Waved Washer
29	605-004	2	Thrust Washer - Ø8 x Ø15.88 x 0.79
30	609-014	1	'O' Ring Ø15 x Ø3
31	615-035	2	Metric Push-in Fix
32	615-040	1	Retaining Ring - External - Ø25
33	401-02-040-008	16	Screw - Pan Pozi Ta ptite - M4 x 8 Lg.
34	401-02-040-016	9	Screw - Pan Pozi Ta ptite - M4 x 16 Lg.
35	402-02-040-016	2	Screw - Csk Hd. Ta ptite - M4 x 16 Lg.
36	403-01-060-010	2	SCREW - Socket Cap Head - M6 x 10 Lg.
37	403-01-060-012	1	SCREW - Socket Cap Head - M6 x 12 Lg.
38	403-01-040-008	4	SCREW - Socket Cap Head - M4 x 8 Lg.
39	407-01-040-012	2	Screw - Socket Set Knurled - M4 x 12 Lg.
40	408-01-050-030	1	Screw Skt Cone Pt - M5 x 30 Lg.
41	409-01-040-012	1	Screw - Skt Set Screw - Flat Pt. - M4 x 12 Lg.
42	414-01-080-012	3	Bolt - Hexagon Head - M6 x 12 Lg.
43	417-04-006-312	21	Screw - Csk Hd. Ta ptite - #6-32 UNC x 0.312 Lg
44	461-01-060	1	NUT - Full - M6
45	481-040	4	WASHER - Plain - M4
46	481-060	2	WASHER - Plain - M6
47	481-080	3	WASHER - Plain - M8

4

5



SE NOTE 1.
25

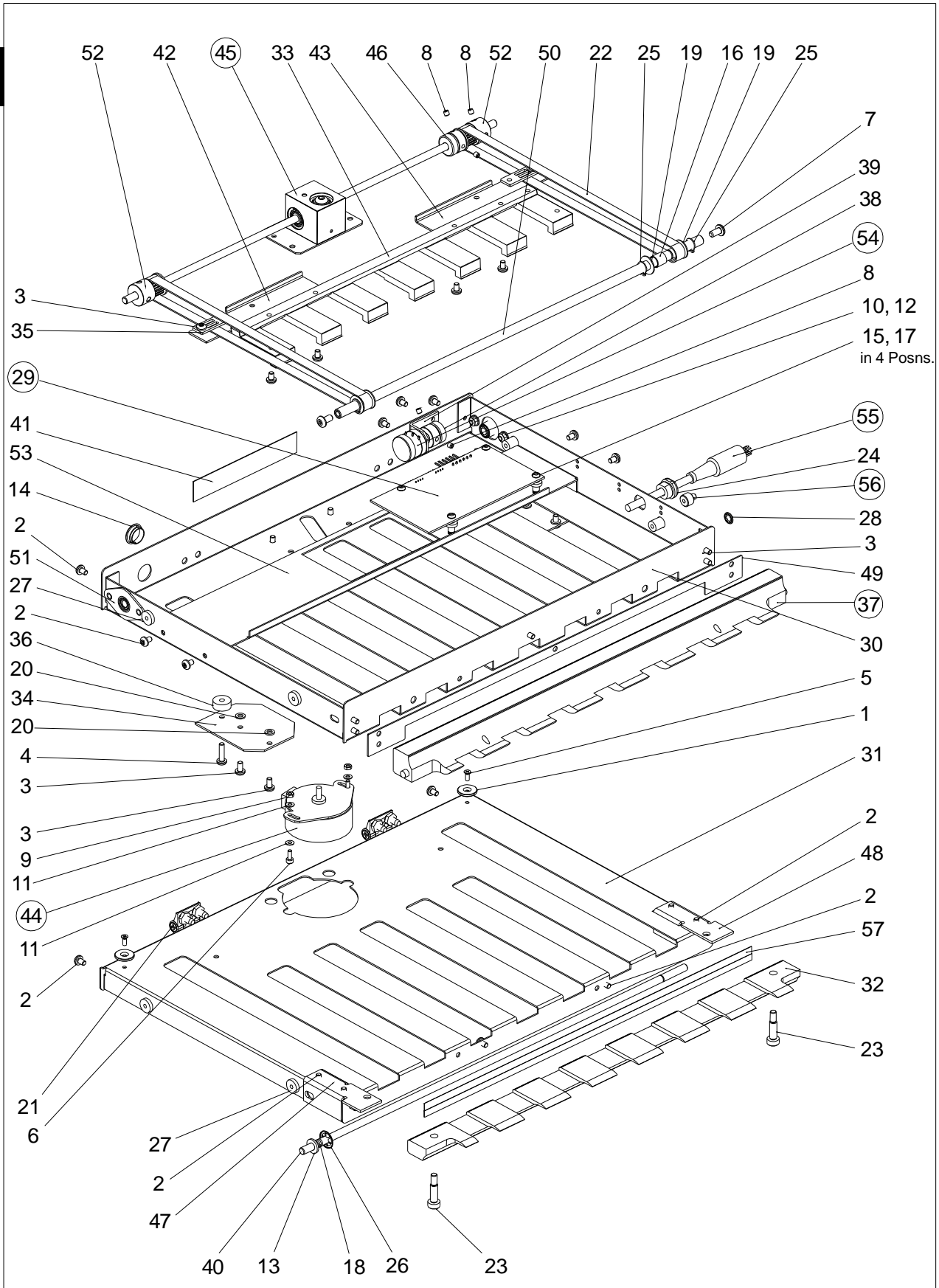
NOTES:
1. HOT GLUE MAGNETS (ITEM 25) INTO RECESSES AND REMOVE ANY EXCESS;

FOLD ROLLER ASSEMBLY 9-06-06

ITEM No.	PART No.	QTY.	DESCRIPTION
①	96-028-02	3	Fold Roller Assy - Standard - Wide
②	96-036-02	1	Drive Roller Assy - Crowned - Wide
③	96-049-02	1	FOLD ROLLER ASSY. - Bottom - Wide
4	96-009-02	2	Roller Support Shaft
5	96-010	1	Large Tube Pulley - 36XL
6	96-031	1	DRIVE BELT - Wide.
7	96-032-02	1	Roller Guard - Wide Belt
8	96-037	1	Side Plate (Gap) - Op Side
9	96-039-02	3	Roller Shaft (Gap Set)
10	96-040-02	1	BUSH - Roller Tilt
11	96-040-03	1	BUSH - Roller Tilt
12	96-041-02	1	Idler Shaft
13	96-042-03	1	ENTRY GUARD
14	96-043	2	Eccentric Bush - Roller Tilt
15	96-044	3	Indicator - Roller Position
16	96-045	1	Tilt Lever - Toothed
17	96-046	1	Tilt Plate - Toothed
18	96-047	1	Knob - Roller Tilt Lever
19	96-052	1	Side Plate (Gap) - Lay Side
20	96-053	1	Label - Roller Tilt
21	12-013	1	SPACER.
22	123-059	1	Label - Safety Warnings
23	601-021	1	Magnetic Actuator
24	601-111	1	Tapered Ferrule
25	601-180	1	MAGNET - Ø3 x 3 Long
26	602-001	3	BEARING-Deep Groove Ball - 6000ZZ
27	603-033	1	Tension Pin - Ø2 x 8 Long
28	603-060	2	Spirol Coiled - Ø3 x 6 Lg.
29	605-049	1	WASHER - Ø15 x Ø21 x 1
30	605-075	1	Mudguard Washer - Ø25 x M8
31	606-030	2	Scallop Knob - Black
32	609-023	10	O' Ring Ø15 x Ø2.5
33	615-005	1	Circlip-External-No Groove M1440-0100
34	615-015	2	Circlip External Ø12
35	401-02-030-008	2	Screw - Pan Pozi Taptite - M3 x 8 Lg.
36	401-02-040-008	4	Screw - Pan Pozi Taptite - M4 x 8 Lg. g.
37	405-01-080-012	2	SCREW - Socket Button Head - M8 x 12 L
38	407-01-040-006	2	Screw - Socket Set Knurled - M4 x 6 Lg.
39	411-01-080-025	3	SCREW - Skt Set Dog Pt. - M8 x 25 Lg.
40	415-01-060-016	6	Hex Hd. Setscrew - M6 x 16 Lg.
41	419-01-080-012	3	Screw - Skt. - Low Hd. Cap - M8 x 12
42	461-01-030	2	NUT - Full - M3
43	461-01-080	3	NUT - Full - M8
44	481-030	2	WASHER - Plain - M3
45	481-060	2	WASHER - Plain - M6
46	481-080	3	WASHER - Plain - M8

5

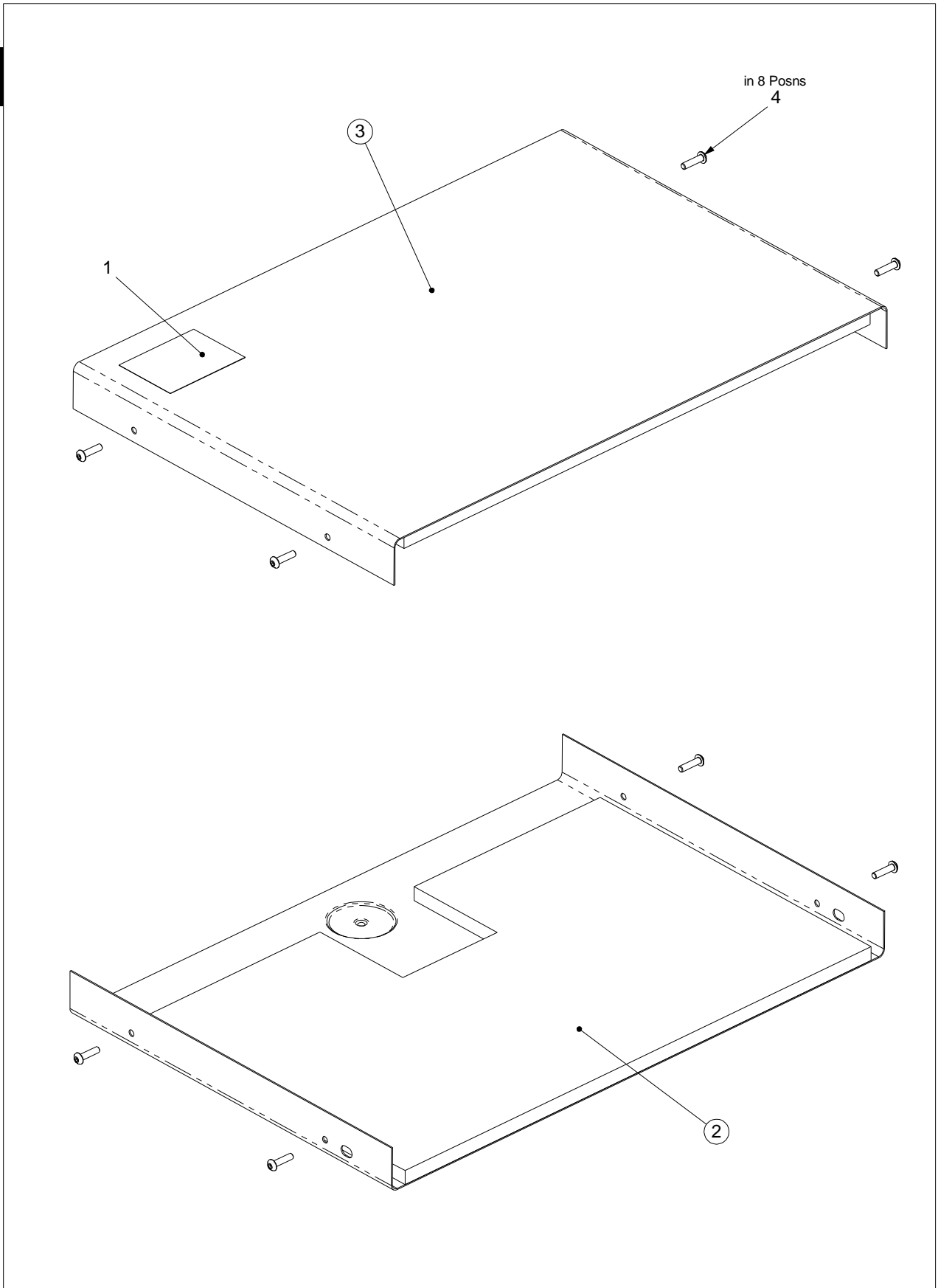
6



ITEM No.	PART No.	QTY.	DESCRIPTION
1	97-144-01	2	SPACER - Fold Plate.
2	401-02-040-006	23	Screw - Pan Pozi Taptite - M4 x 6 Lg.
3	401-02-040-008	12	Screw - Pan Pozi Taptite - M4 x 8 Lg.
4	401-02-040-016	2	Screw - Pan Pozi Taptite - M4 x 16 Lg.
5	402-02-030-080	2	SCREW - Countersunk Pozi Taptite - M6 x 8 Lg.
6	403-01-030-008	2	Screw - Socket Cap Head - M3 x 8 Lg.
7	405-01-050-010	2	Screw - Button Hd. - M5 x 10 Lg.
8	409-01-040-004	8	Screw - Socket Set - Flat Point - M4 x 4 Lg.
9	461-01-030	2	Nut - Full - M3
10	461-01-040	4	Nut - Full - M4
11	481-030	4	Washer - Plain - M3
12	481-040	4	Washer - Plain - M4
13	481-060	1	Washer - Plain - M6
14	601-091	1	SHORTY PLUG.
15	601-121	4	Nylon Screw Pan Hd Slotted #6-32 x 5/16"
16	602-064	2	BEARING - Dawn Cup Needle Roller - HK0810
17	603-065	4	Washer - Nylon - Ø3.3 x Ø9.7 x 2.4 Long
18	604-065	1	SPRING - Compression
19	605-004	4	Thrust Washer - Ø8 x Ø15.88 x 0.79
20	605-042	4	Nylon Washer - Ø4.3x Ø8 x 1.0
21	606-019	2	Hinge - Adjustable Black Acetyl
22	607-026	2	Toothed Belt - 132XL
23	608-004	2	Shoulder Bolt - Ø6(M5) x 16 Lg.
24	613-151	1	Strain Relief Bush
25	615-007	4	CIRCLIP - External - Ø8
26	615-027	1	Starlock Washer - Ø6
27	615-032	8	Flex Loc Bush - M4
28	615-077	1	Starlock Washer Ø5
(29)	90-08-01	1	Fold Plate Motor Drive PCB
30	97-001-02	1	Top Box - Deflector - Wide
31	97-003-02	1	Bottom Box - Deflector - Wide
32	97-007-02	1	Bottom Rail - Deflector
33	97-009-03	1	Deflector (Extruded)
34	97-012	2	Deflector Guide
35	97-016	2	Belt Clamp
36	97-017	2	GUIDE SPACER - Carriage
(37)	97-019-02	1	Top Rail Assy - Deflector - Wide
38	97-032	1	Control Gear - Pot
39	97-033	1	Potentiometer Bracket
40	97-034-02	1	Latching Shaft
41	97-038	1	Label - Pull Down to Lock
42	97-073-02	1	Deflector Carraige - Op Side
43	97-074-02	1	Deflector Carraige - Drive Side
(44)	97-076	1	Stepper Motor & Lead Assy
(45)	97-085-02	1	Gearbox Assy - Auto Plate - Wide
46	97-086	1	CONTROL GEAR - Shaft.
47	97-087	1	Latching Bracket - Op Side
48	97-088	1	Latching Bracket - Lay Side
49	97-093-02	1	SPACER PLATE - Top Rail (Defl.)
50	97-107-02	1	Idler Shaft - Auto Idlers
51	97-108	2	Flange - Needle Bearing
52	97-109	2	Control Pulley 10XL Flanged Auto
53	97-116-02	1	Bracket - Motor PCB - Wide
(54)	97-121	1	Pot & Lead Assy.
(55)	97-153	1	Lead - Lower Fold Plate to PCB
(56)	97-156-01	1	Fold Plate Sensor Assembly
57	98-013-02	1	ANTI-STATIC STRIP (Tape).

THIS SECTION IS CONTINUED ON THE FOLLOWING PAGES

6

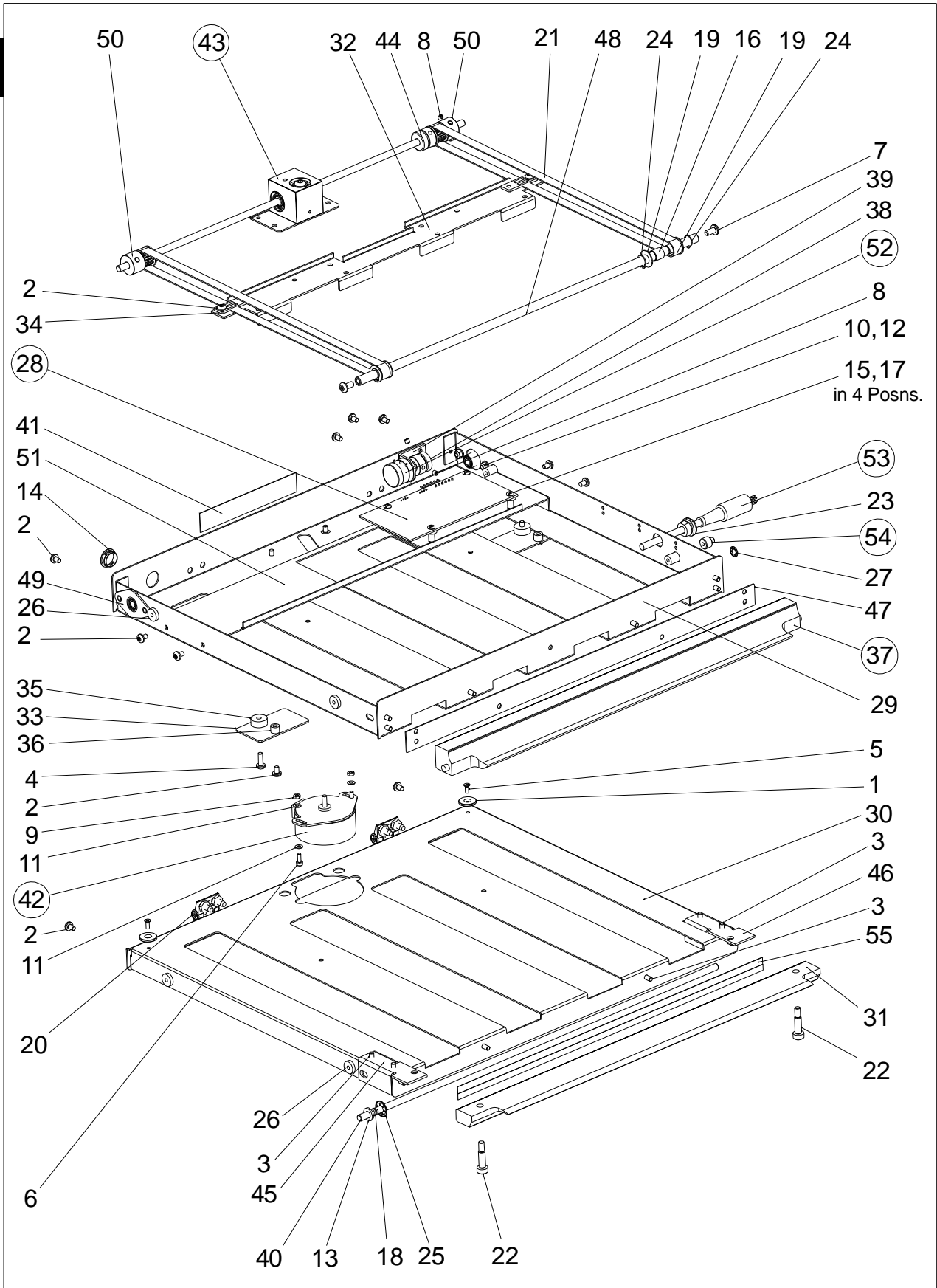


FOLD PLATE - Auto Deflect 9-07-15

ITEM No.	PART No.	QTY.	DESCRIPTION
1	75-465-01	1	LABEL -
②	97-065-02	1	Bottom Cover Assy - Digital Deflector - Wide
③	97-081-02	1	Top Cover Assy - Auto Deflect - Wide
4	405-01-040-016	8	SCREW - Socket Button Head - M4 x 16 Lg.



7

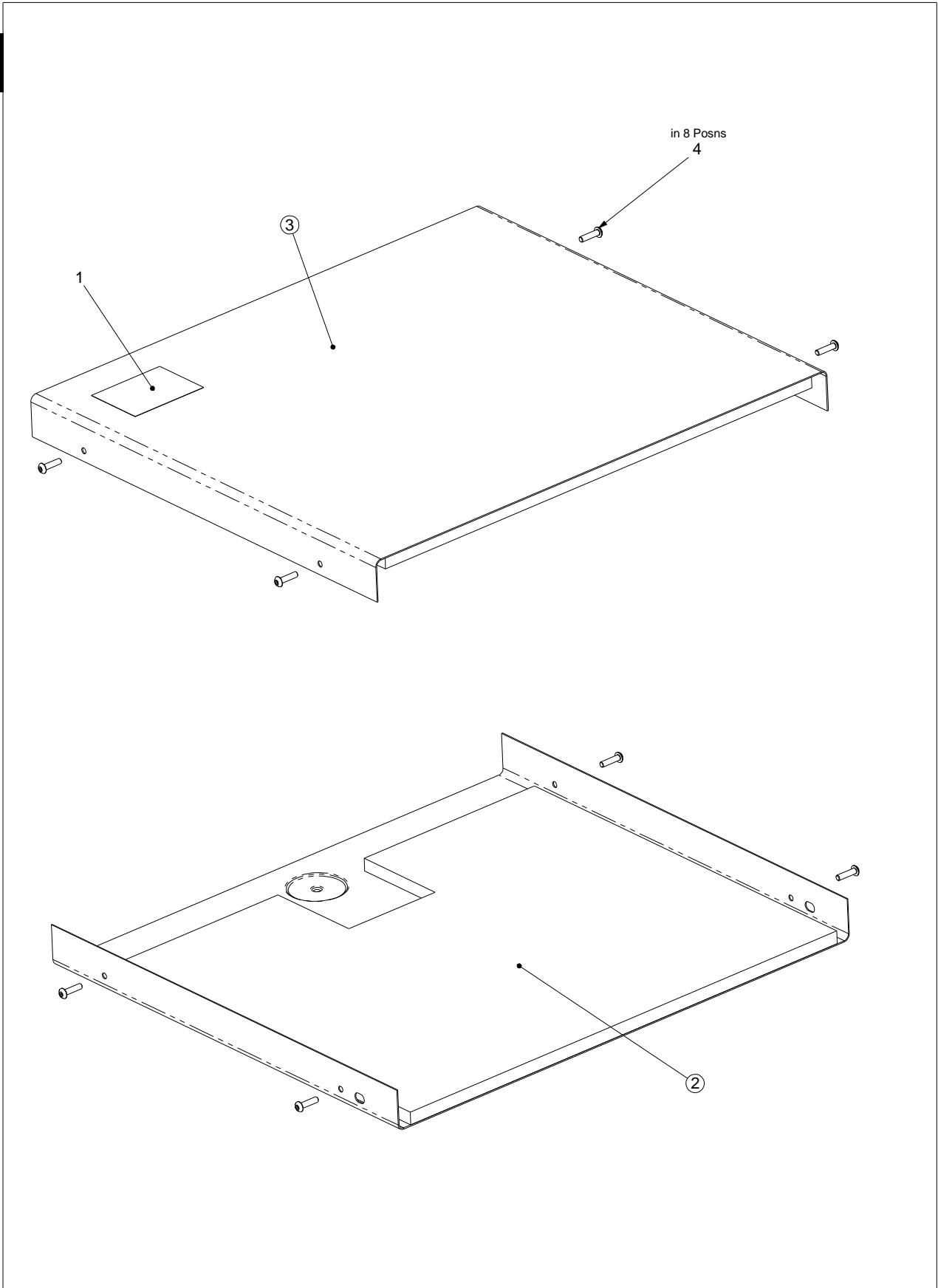


ITEM No.	PART No.	QTY.	DESCRIPTION
1	97-144-01	2	SPACER - Fold Plate.
2	401-02-040-006	16	Screw - Pan Pozi Taptite - M4 x 6 Lg.
3	401-02-040-008	14	Screw - Pan Pozi Taptite - M4 x 8 Lg.
4	401-02-040-012	2	Screw - Pan Pozi Taptite - M4 x 12 Lg.
5	402-02-030-080	2	SCREW - Countersunk Pozi Taptite - M6 x 8 Lg.
6	403-01-030-008	2	Screw - Socket Cap Head - M3 x 8 Lg.
7	405-01-050-010	2	Screw - Button Hd. - M5 x 10 Lg.
8	409-01-040-004	6	Screw - Socket Set - Flat Point - M4 x 4 Lg.
9	461-01-030	2	Nut - Full - M3
10	461-01-040	4	Nut - Full - M4
11	481-030	4	Washer - Plain - M3
12	481-040	4	Washer - Plain - M4
13	481-060	1	WASHER - Plain - M6
14	601-091	1	SHORTY PLUG.
15	601-121	4	Nylon Screw Pan Hd Slotted #6-32 x 5/16"
16	602-064	2	BEARING - Dawn Cup Needle Roller - HK0810
17	603-065	4	Washer - Nylon - Ø3.3 x Ø9.7 x 2.4 Long
18	604-065	1	SPRING - Compression
19	605-004	4	Thrust Washer - Ø8 x Ø15.88 x 0.79
20	606-019	2	Hinge - Adjustable Black Acetyl
21	607-025	2	Toothed Belt - 132XL
22	608-004	2	Shoulder Bolt - Ø6(M5) x 16 Lg.
23	613-151	1	Strain Relief Bush
24	615-007	4	CIRCLIP - External - Ø8
25	615-027	1	Starlock Washer - Ø6
26	615-032	8	Flex Loc Bush - M4
27	615-077	1	Starlock Washer Ø5
(28)	90-08-01	1	Fold Plate Motor Drive PCB
29	97-002-02	1	Top Box - Stop - Wide
30	97-004-02	1	Bottom Box - Stop - Wide
31	97-008-02	1	Bottom Rail - Stop
32	97-010-03	1	Stop
33	97-014	2	Stop Guide
34	97-016	2	Belt Clamp
35	97-017	2	GUIDE SPACER - Carriage
36	97-018	2	STOP SPACER - Carriage.
(37)	97-020-02	1	Top Rail Assy - Stop - Wide
38	97-032	1	Control Gear - Pot
39	97-033	1	Potentiometer Bracket
40	97-034-02	1	Latching Shaft
41	97-038	1	Label - Pull Down to Lock
(42)	97-076	1	Stepper Motor & Lead Assy
(43)	97-085-02	1	Gearbox Assy - Auto Plate - Wide
44	97-086	1	CONTROL GEAR - Shaft.
45	97-087	1	Latching Bracket - Op Side
46	97-088	1	Latching Bracket - Lay Side
47	97-094-02	1	Spacer Plate - Top Rail (Stop)
48	97-107-02	1	Idler Shaft - Auto Idlers
49	97-108	2	Flange - Needle Bearing
50	97-109	2	Control Pulley 10XL Flanged Auto
51	97-116-02	1	Bracket - Motor PCB - Wide
(52)	97 121	1	Pot & Lead Assy.
(53)	97-154	1	Lead - UPPER Fold Plate to PCB
(54)	97-156-01	1	Fold Plate Sensor Assembly
55	98-013-02	1	ANTI-STATIC STRIP (Tape).

7

THIS SECTION IS CONTINUED ON THE FOLLOWING PAGES

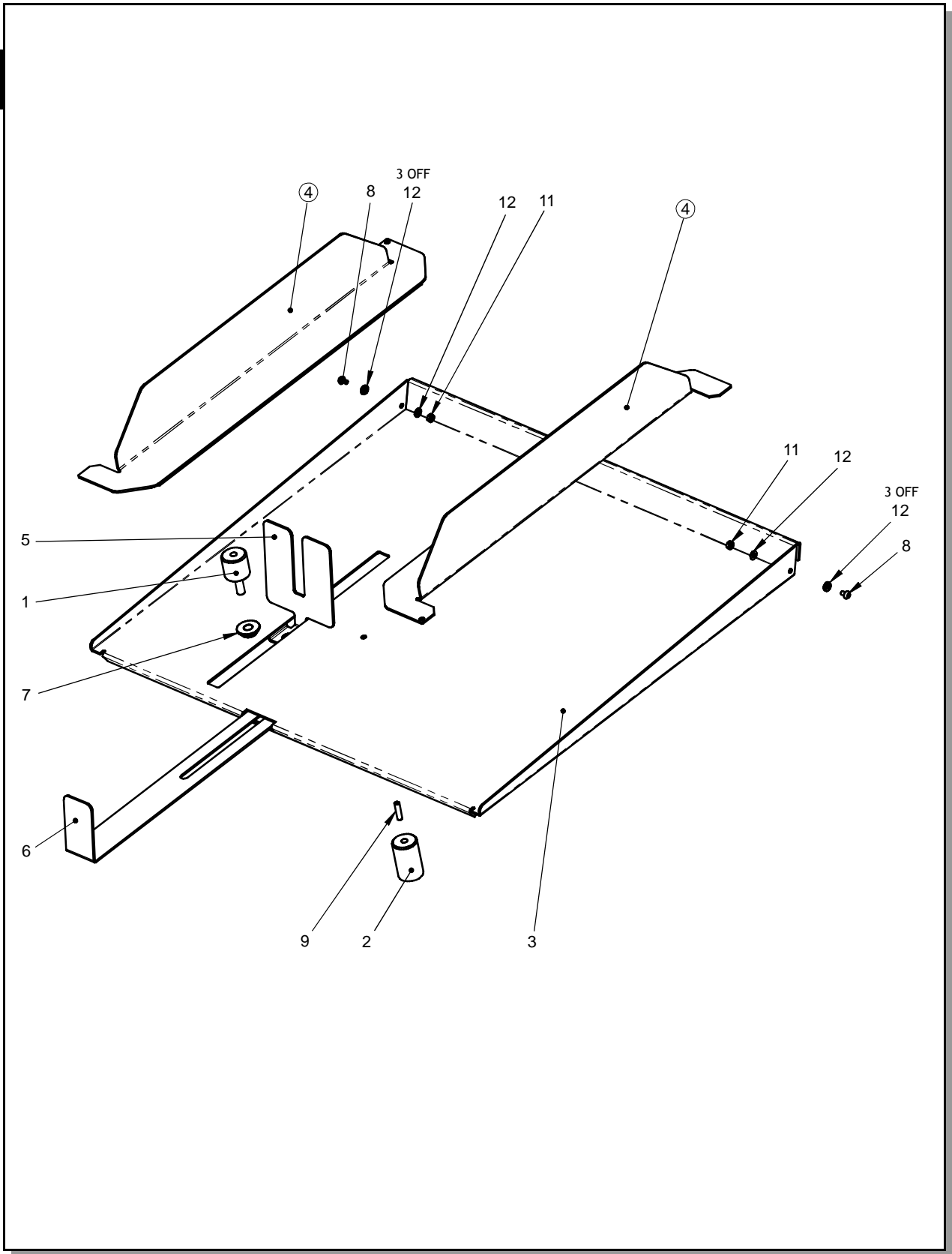
7



ITEM No.	PART No.	QTY.	DESCRIPTION
1	75-465-01	1	LABEL
②	97-066-02	1	Bottom Cover Assy - Digital Stop - Wide
③	97-082-02	1	Top Cover Assy - Auto Stop - Wide
4	405-01-040-016	8	SCREW - Socket Button Head - M4 x 16 Lg.

7

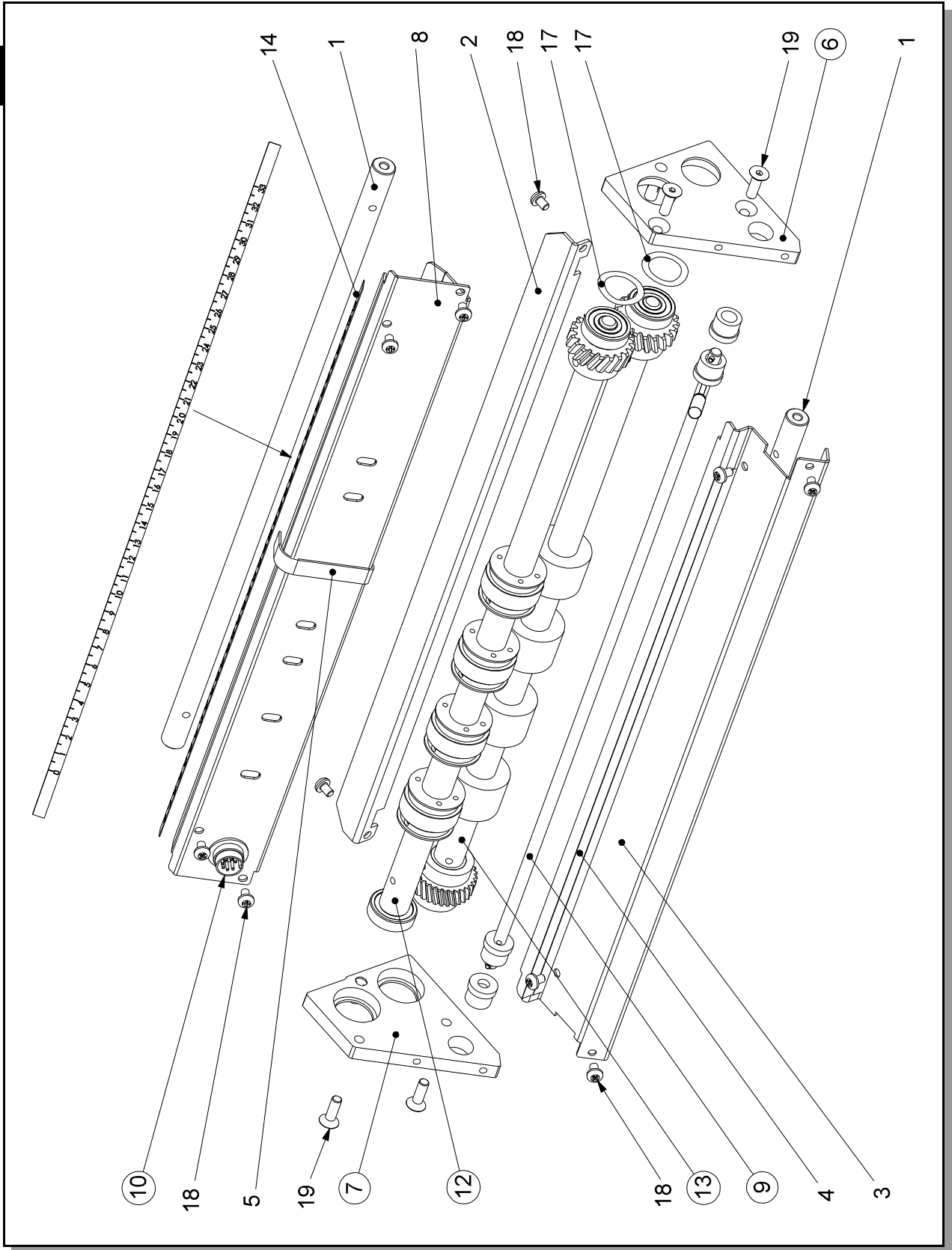
8



ITEM No.	PART No.	QTY.	DESCRIPTION
1	28-021	1	UNIVERSAL KNOB - M6 - Ø20 - Black
2	89-017	1	EXTENDED KNOB.
3	98-015-02	1	Stacker Bed - Perforator
④	98-025	2	STACKER GUIDE ASSEMBLY.
5	98-033	1	STACKER BACKSTOP - Clamped
6	98-035	1	STACKER EXTENSION
7	605-033	1	Shoulder Washer - Ø12.32 x Ø6.86 x 3.96
8	401-02-030-006	2	Screw - Pan Pozi Taptite - M3 x 6 Lg.
9	409-01-040-016	1	Screw - Socket Set - Flat Point - M4 x 16 Lg.
11	461-01-030	2	Nut - Full - M3
12	481-030	8	Washer - Plain - M3



9

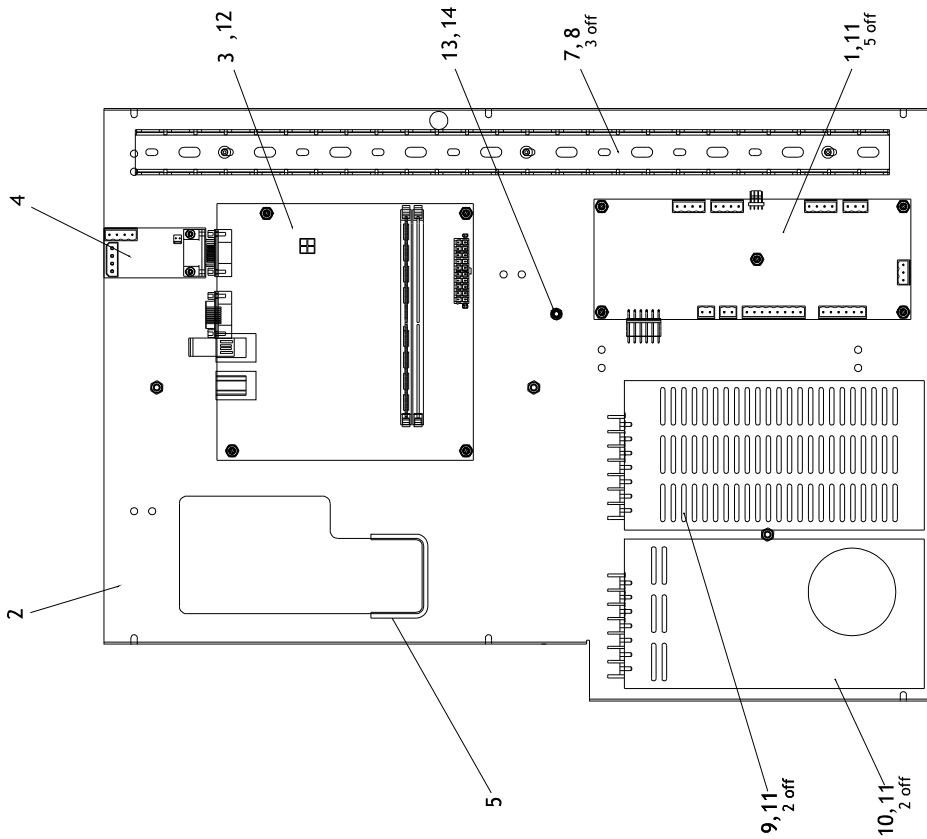


PERFORATOR ASSEMBLY 9-08-15(USA)

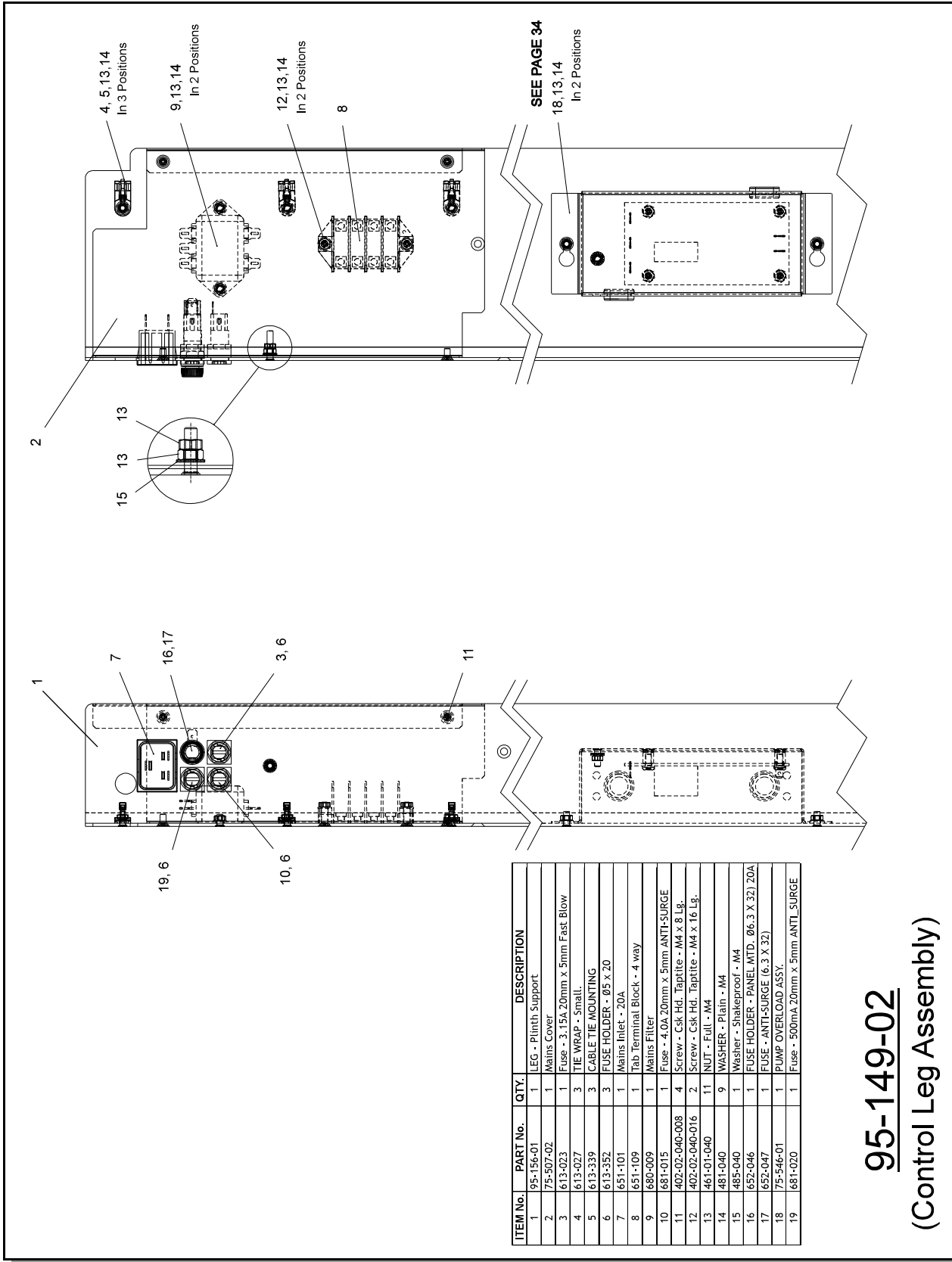
ITEM No.	PART No.	QTY.	DESCRIPTION
1	98-003-02	2	TIE BAR - Perforator - Wide.
2	98-007-02	1	INPUT BED - Perforator - Wide.
3	98-009-02	1	LOWER GUARD - Perforator - Wide.
4	98-013-02	1	ANTI-STATIC STRIP (Tape).
5	98-018-02	1	STRIPPER - Perforator - Long.
⑥	98-021	1	FRAME PAD ASSY. - Op. Side.
⑦	98-022	1	FRAME PAD ASSY. - Non Op Side.
8	98-031-03	1	UPPER GUARD - Perforator
⑨	98-032-02	1	LATCHING SHAFT ASSY. - Wide
⑩	98-085	1	DIN PLUG - Panel Mounted - 8 Way.
11	98-037	2	LATCH BEARING - Perforator.
⑫	98-048-02	1	PERFORATOR SHAFT ASSY. - Upper - Wide
⑬	98-049-02	1	PERFORATOR SHAFT ASSY. - Lower - Wide
14	98-050	1	Perforator Scale - Metric -
	98-051	1	Perforator Scale - Imperial
15	601-096	1	End Tip Ø2.4XØ6.3X12.2 LG-BLK
16	603-057	1	TENSION PIN - Ø2.5 X 30 Lg
17	604-056	2	WAVED WASHER.
18	401-02-040-006	10	Screw - Pan Pozi Taptite - M4 x 6 Lg.
19	404-01-050-016	4	Screw - Socket Countersunk - M5 x 16 Lg.

9

ITEM No.	PART No.	QTY.	DESCRIPTION
1	90-06-02	1	CONTROLLER BOARD P. C. B. Assy.
2	95-147-01	1	CHASSIS - Control System
3	75-500-08	1	Mini ITX Motherboard
4	174-19-01	1	RS232 A adaptor Board
5	601-139	1	Grammet Strip.
7	650-096	500 mm	Open Slot Trunking 25mm x 37.5mm
8	650-097	3	SNAP RIVET - NYLON - Ø4.2 HOLE
9	655-015	1	PSU - Switch Mode - 24V
10	655-016	1	PSU - Switch Mode - 48V
11	401-02-040-006	9	Screw - Pan Pozil Tapitite - M4 x 6 Lg.
12	401-02-040-008	4	Screw - Pan Pozil Tapitite - M4 x 8 Lg.
13	461-01-040	1	NUT - Full - M4
14	483-040	1	SPRING WASHER - M4



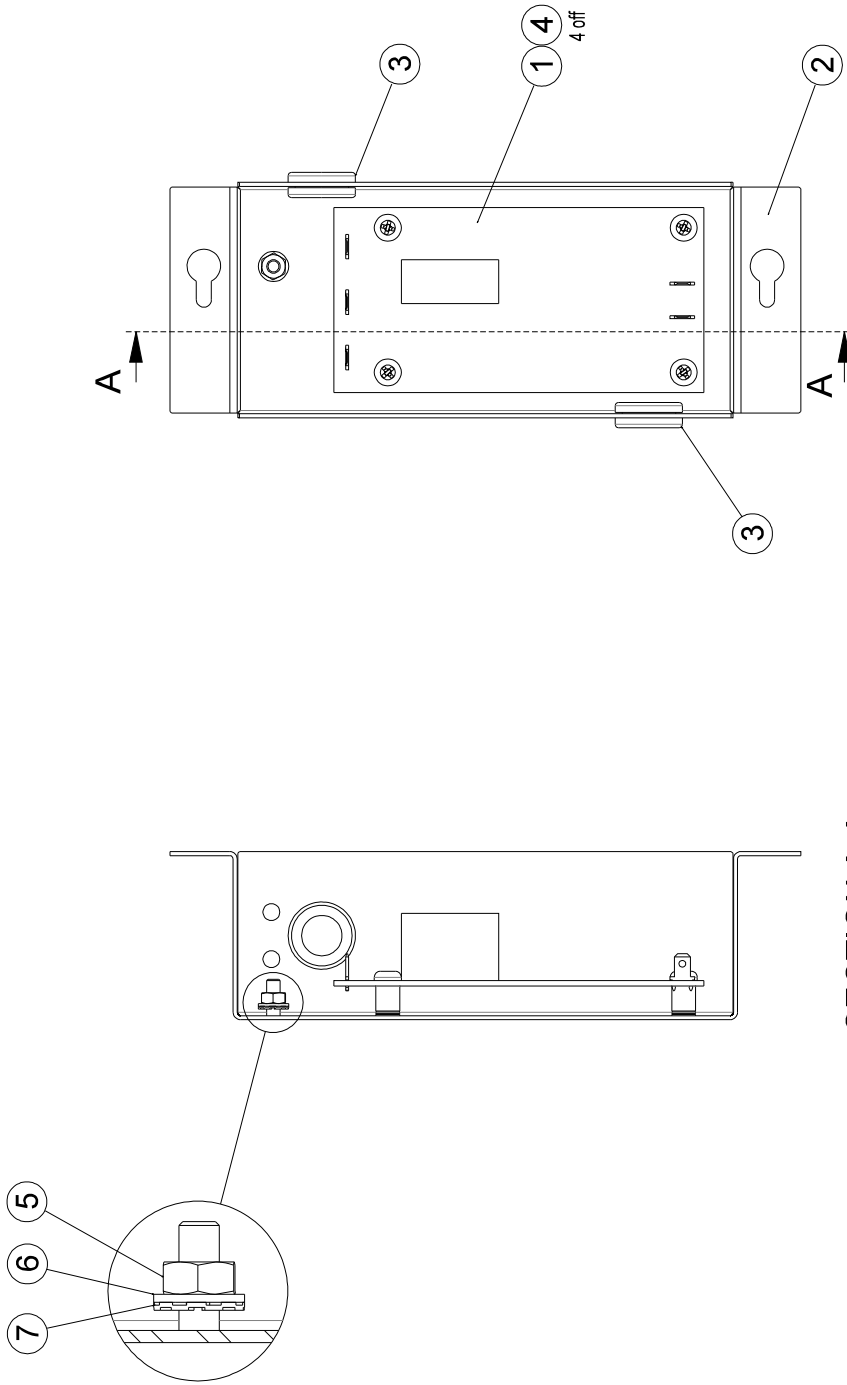
95-02-02 (CONTROL SYSTEM ASSEMBLY)



ITEM No.	PART No.	QTY.	DESCRIPTION
1	95-156-01	1	LEG - Plinth Support
2	75-507-02	1	Mains Cover
3	613-023	1	Fuse - 3.15A 20mm x 5mm Fast Blow
4	613-027	3	TIE WRAP - Small.
5	613-339	3	CABLE TIE MOUNTING
6	613-352	3	FUSE HOLDER - Ø5 x 20
7	651-101	1	Mains Inlet - 20A
8	651-109	1	Tab Terminal Block - 4 way
9	680-009	1	Mains Filter
10	681-015	1	Fuse - 4.0A 20mm x 5mm ANTI-SURGE
11	402-02-040-008	4	Screw - Csk Hd. Taprite - M4 x 8 Lg.
12	402-02-040-016	2	Screw - Csk Hd. Taprite - M4 x 16 Lg.
13	461-01-040	11	NUT - Full - M4
14	481-040	9	WASHER - Plain - M4
15	485-040	1	Washer - Shakeproof - M4
16	652-046	1	FUSE HOLDER - PANEL MTD. Ø6.3 X 32) 20A
17	652-047	1	FUSE - ANTI-SURGE (6.3 X 32)
18	75-546-01	1	PUMP OVERLOAD ASSY.
19	681-020	1	Fuse - 500mA 20mm x 5mm ANTI_SURGE

95-149-02
(Control Leg Assembly)

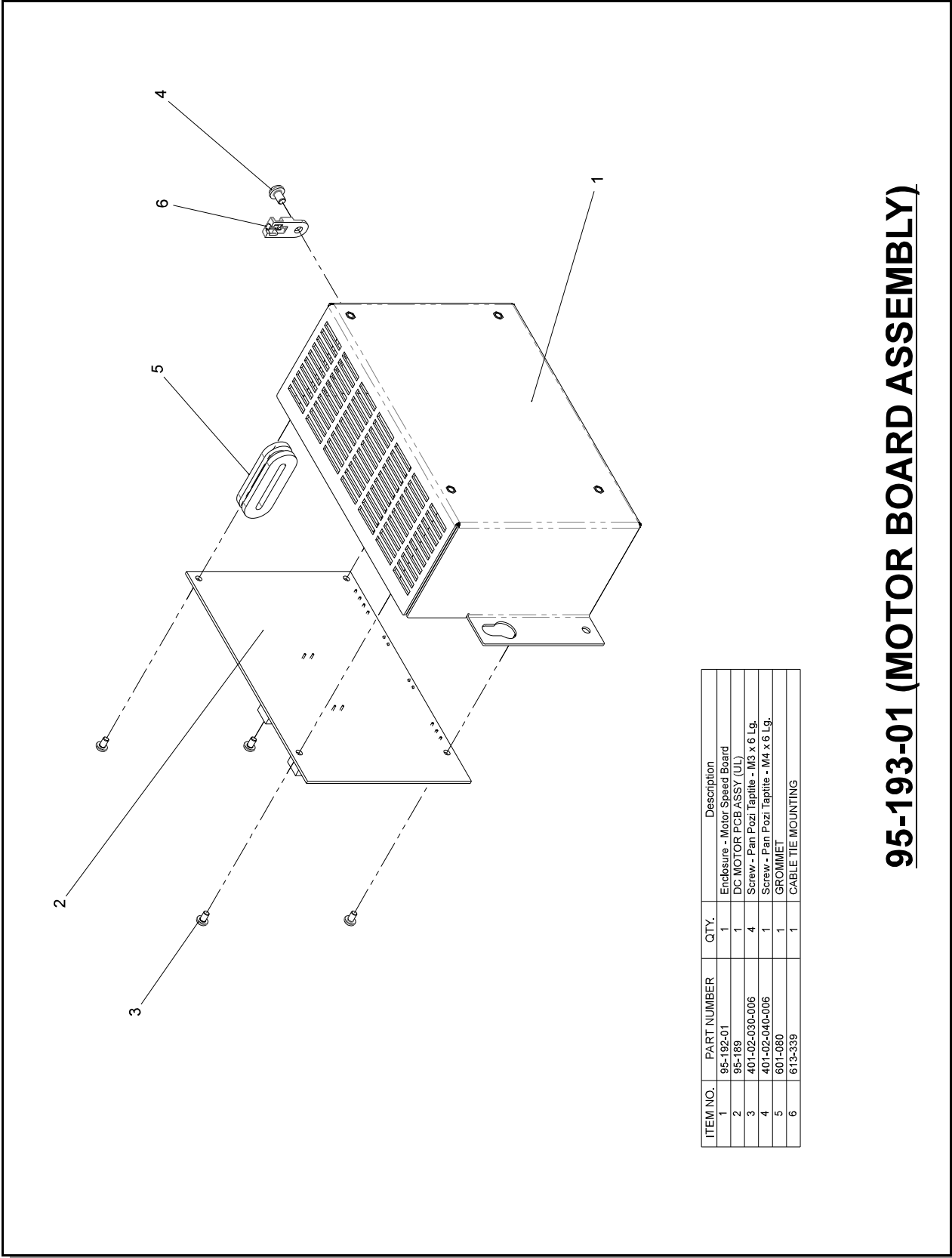
12



SECTION A-A

ITEM NO.	PART NUMBER	QTY.	Description
1	75-542	1	Pump Overload PCB Assy
2	75-545-01	1	Enclosure - Pump Overload
3	801-984	2	Grommet - Ø12.7 x Ø15 x Ø20 x 1.6
4	401-02-045-010	4	Screw - Pan Head Tapable - M4 x 10 Lg.
5	461-01-040	1	Nut - Full - M4
6	481-040	1	Washer - Plain - M4
7	485-040	1	Washer - Shakeproof - M4

75-546-01
(Pump Overload Assembly)



95-193-01 (MOTOR BOARD ASSEMBLY)

13

