

FORMAX[®]

Atlas C150
Automatic Air-Feed Programmable Creaser

Parts List

This parts catalog is organized by component location (where the part in question may be found within the machine) and component category (e.g. electronics, harnesses, accessories).

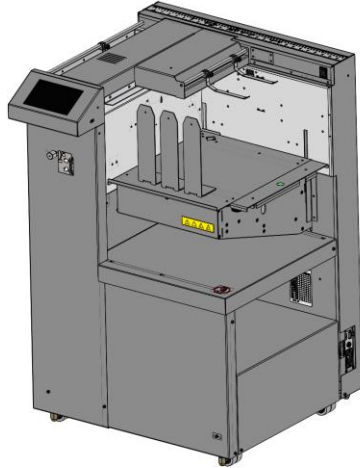
See Component Location/Category pages for more details. In each view, select components may be hidden for clarity.

Parts List.....	1
Feeder Component Location / Category.....	2
Feeder Electrical Components Index	4
Feeder Parts List.....	5
PL 1.0 Feeder – Exterior	5
PL 1.1 Feeder – Exterior Hardware.....	6
PL 2.0 Feeder – Top View	7
PL 2.1 Feeder – User Interface.....	8
PL 3.0 Feeder – Exit Side.....	9
PL 4.0 Feeder – Paper Table	10
PL 4.1 Feeder – Paper Table Extension	11
PL 5.0 Feeder – Safety Base.....	12
PL 6.0 Feeder – Rear Side	13
PL 6.1 Feeder – Feeding Mechanism	14
PL 6.2 Feeder – Lift Mechanism	15
PL 7.0 Feeder – Options	16
PL 7.1 Feeder – DFA kit.....	17
PL 8.0 Feeder - Wire Harnesses	18
Creaser Component Location / Category	20

Creaser Electrical Components Index	22
Creaser Parts List.....	23
PL 9.0 Creaser – Exterior	23
PL 9.1 Creaser – Exterior Hardware.....	24
PL 10.0 Creaser – Top View.....	25
PL 11.0 Creaser – Static Creasing Unit.....	26
PL 12.0 Creaser – Rotary Tool Carrier.....	27
PL 13.0 Creaser – Front Side	28
PL 14.0 Creaser – Entry Side	29
PL 15.0 Creaser – Exit Side.....	30
PL 16.0 Creaser – Rear Side	31
PL 17.0 Creaser – Adjustable Stacker	32
PL 18.0 Creaser – Options.....	33
PL 18.1 Creaser – Cross-perforation Blade	34
PL 19.0 Creaser - Wire Harnesses	35
Accessories.....	36
Special Tools.....	37

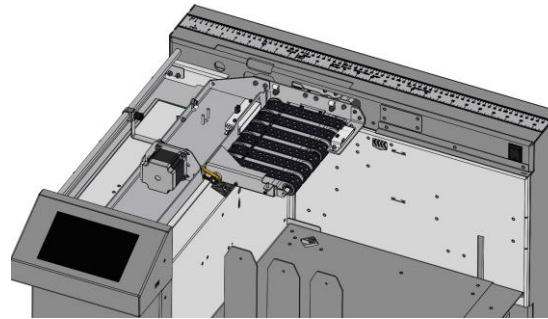
Feeder Component Location / Category

Feeder – Exterior



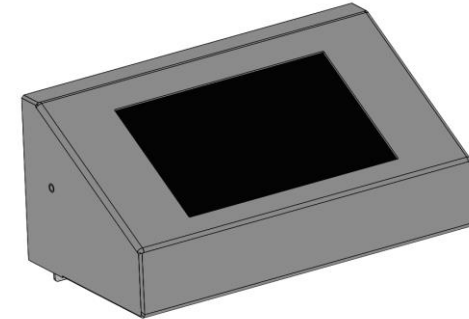
PL 1.0

Feeder – Top View



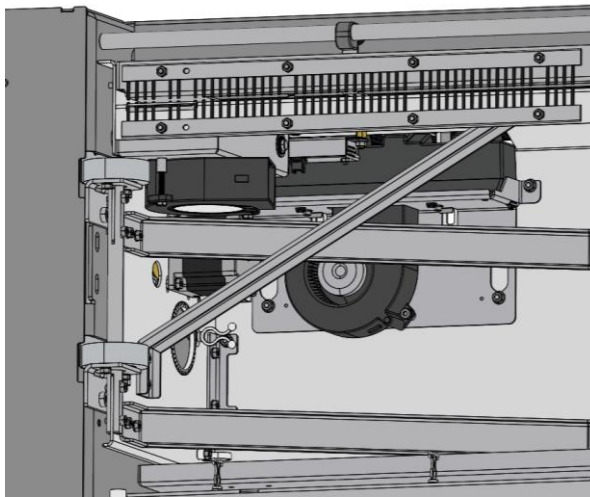
PL 2.0

Feeder – User Interface



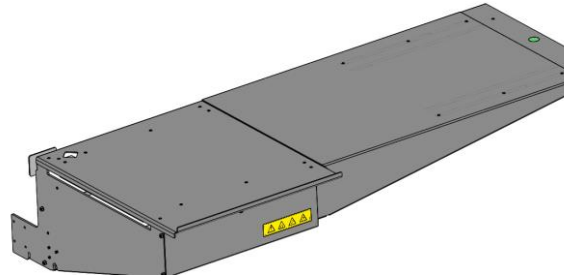
PL 2.1

Feeder – Exit Side



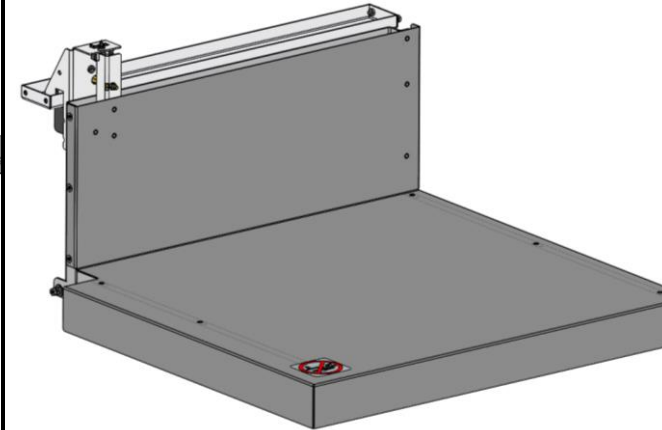
PL 3.0

Feeder – Paper Table



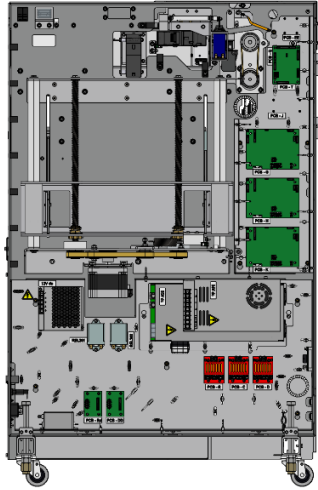
PL 4.0

Feeder – Safety Base



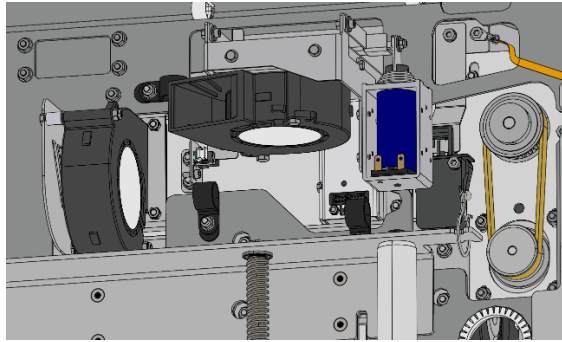
PL 5.0

Feeder – Rear Side



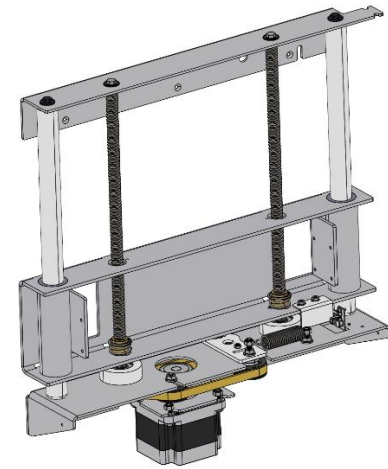
PL 6.0

Feeder – Feeding Mechanism



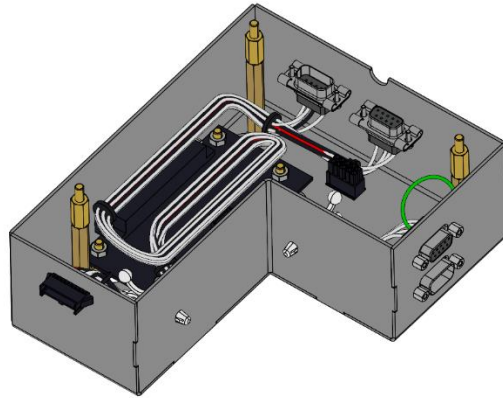
PL 6.1

Feeder – Lift Mechanism



PL 6.2

Feeder – Options



PL 7.0

Feeder - Wire Harnesses



PL 8.0

Feeder Electrical Components Index

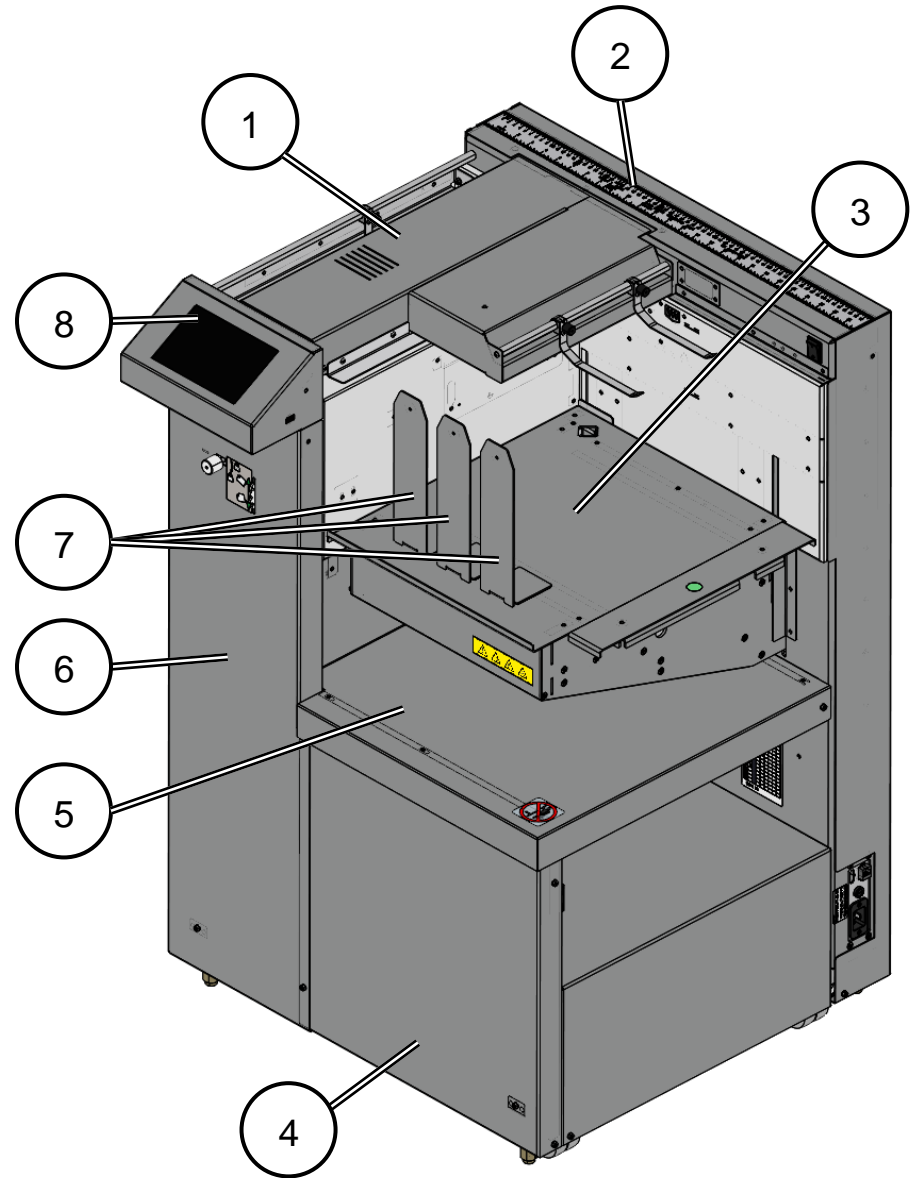
Component	Description	Page
CNT	Sheet counter	PL 6.0
FAN1	Separation fan	PL 3.0
FAN2	Float fan	PL 6.1
FAN3	Vacuum fan	PL 6.1
FAN4	Registration fan	PL 3.0
FAN8	Cooling fan (downstream unit)	PL 15.0
M1	Lift motor	PL 6.2
M2	Vacuum belt motor	PL 2.0
M3	Registration belt motor	PL 3.0
PCB "B"	12V thermal protection / splitter PTC411215	PL 6.0
PCB "C"	55V thermal protection / splitter PTC7375	PL 6.0
PCB "D"	24V thermal protection / splitter PTC7375	PL 6.0
PCB "DD"	12V thermal protection / splitter PTC411215	PL 6.0
PCB "G"	Motor M1 driver M21H	PL 6.0
PCB "H"	Motor M2 driver M21H	PL 6.0
PCB "K"	Motor M3 driver M21H	PL 6.0
PCB "L"	24V feedback / splitter 3x10P Distribution PCB	PL 6.0
PCB "PM" (optional)	PCB Opto Printer Mode	PL 7.1
PCB "R"	55V thermal protection / splitter PTC7375	PL 6.0
PCB "T"	Main processor CPU APP32	PL 6.0
PCB "V"	User interface assembly	PL 2.1
PCB "Y"	Separated paper (SP) sensor	PL 6.1
PSU-1	12V DC power supply unit	PL 6.0
PSU-2	55V DC power supply unit	PL 6.0

Component	Description	Page
PSU-3	24V DC power supply unit	PL 6.0
Q1	Lift home sensor	PL 6.2
Q2	Lift top safety sensor	PL 6.1
Q3	Table extension sensor	PL 4.0
Q4	Paper stack height sensor	PL 2.0
Q8	Lift bottom safety sensor	PL 5.0
Q10	Ultrasonic double sheet detector	PL 2.0 & PL 3.0
Q11	Table empty sensor	PL 4.0
Q12	Separated paper (SP) sensor	PL 6.1
SOL1	Vacuum choke solenoid	PL 6.1
SW1	Main power switch	PL 6.0
SW2/SW4	Top interlock switch	PL 6.1
SW3/SW5	Bottom interlock switch	PL 5.0
UI	User interface assembly	PL 2.1

Feeder Parts List

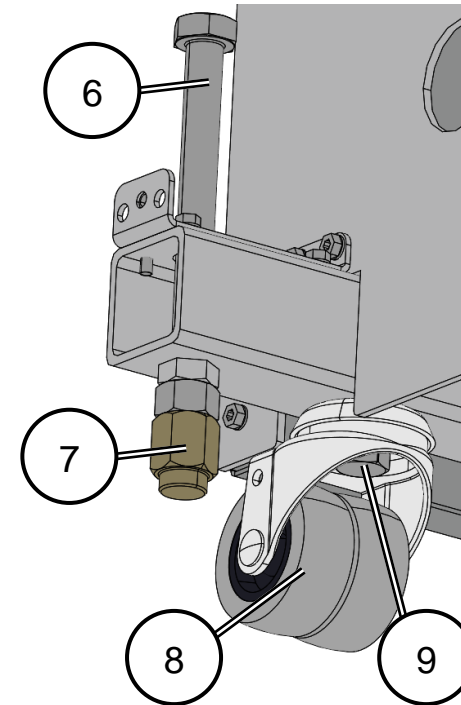
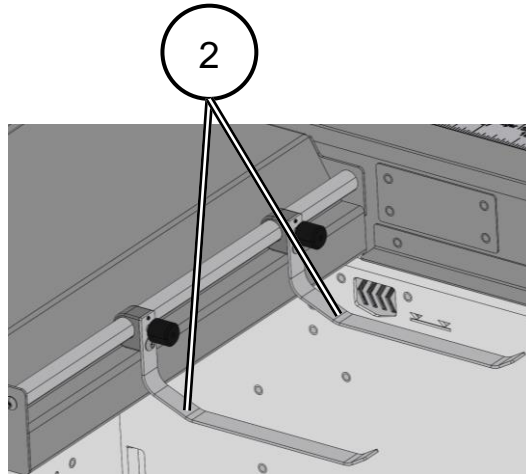
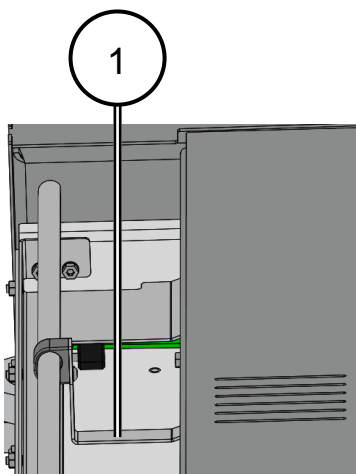
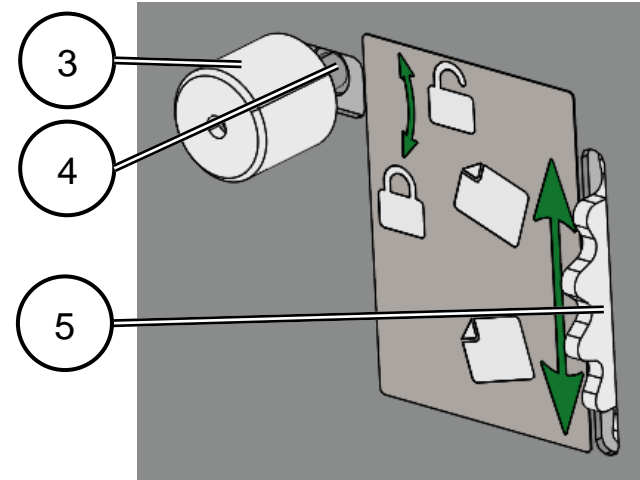
PL 1.0 Feeder – Exterior

Item	Qty	Part No.	Description
1	1	14290001	Top Cover (including paper guides)
2	1	142-114018	Rear Cover
3	1	See PL 4.0	Paper Table
4	1	142-114015	Base Cover
5	1	See PL 5.0	Safety Base
6	1	142-114016	Front Cover
7	3	14290002	Magnetic Paper Guide
8	1	14290003	User Interface Module (see PL 2.1)



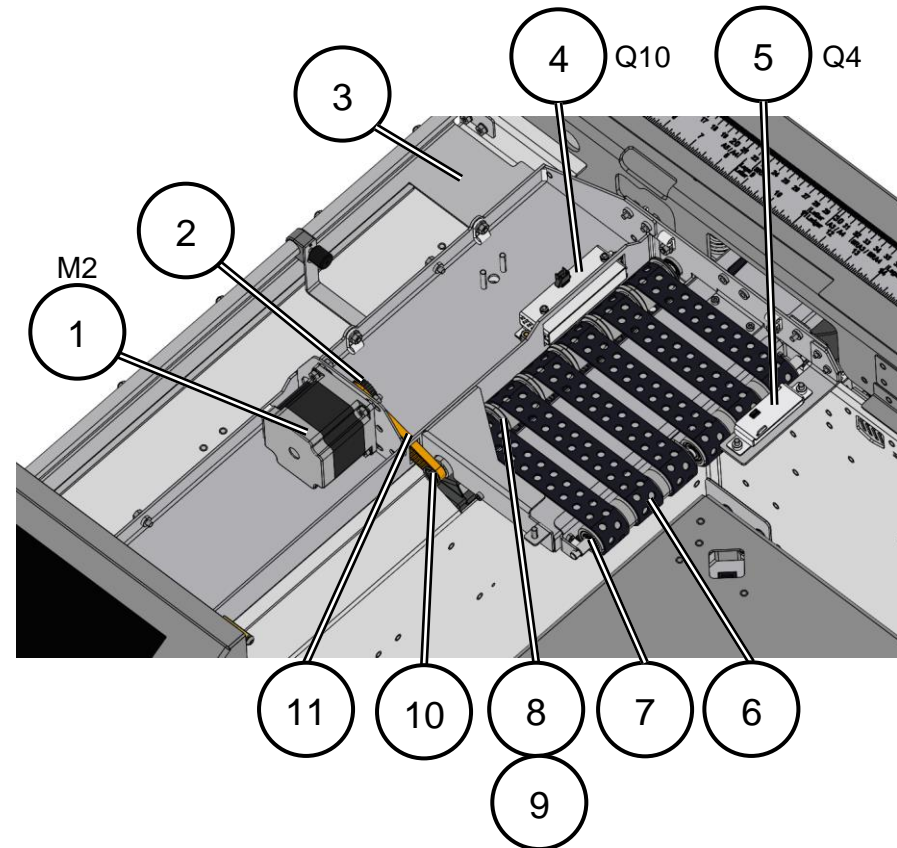
PL 1.1 Feeder – Exterior Hardware

Item	Qty	Part No.	Description
1	1	14290004	Paper Guide Assembly S (including knob)
2	2	14290005	Paper Guide Assembly L (including knob)
3	1	01-114	Locking Knob
4	1	409-01-060-035	Screw P6SS M6x35
5	1	142-113894	Adjustment Wheel
6	4	99596	Screw M6S M12x140
7	4	143-115412	Foot Adapter
8	4	26700	Caster Wheel
9	4	99150	Screw M6S M10x25



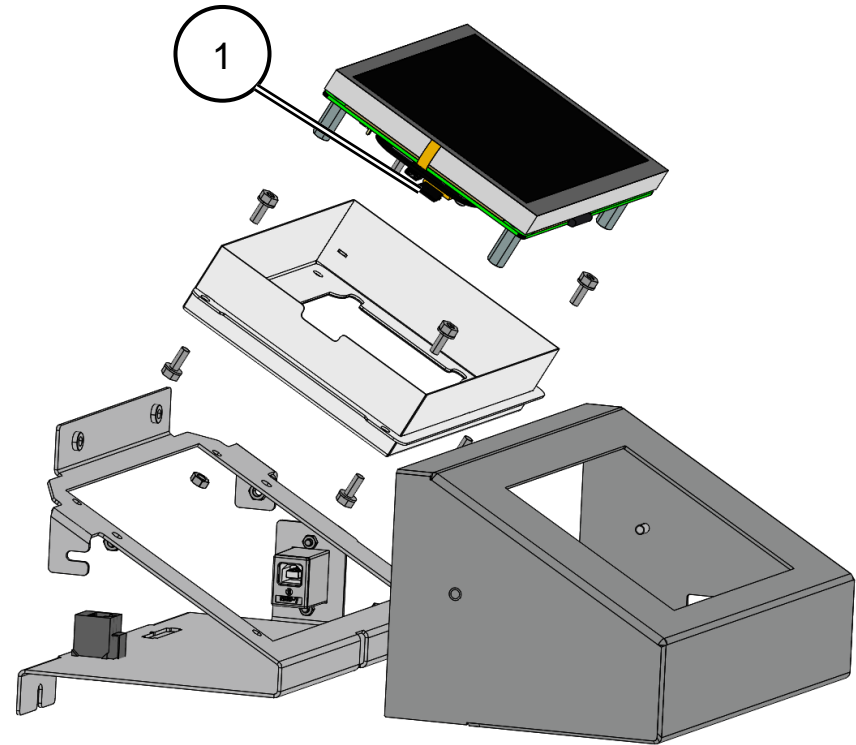
PL 2.0 Feeder – Top View

Item	Qty	Part No.	Description
1	1	14090003	Motor 23HD446 (M2)
2	1	101-102420	Timing Pulley 15T2.5/28
3	1	142-114150	Anti-Static Brush Bracket
4	1	12590015	Ultrasonic Double Sheet Sensor Pair (Q10)
5	1	14290006	Optical Distance Sensor (Q4)
6	6	18110	Vacuum Belt
7	1	14290007	Rear Vacuum Pulley (including bearings)
8	1	14290008	Front Vacuum Pulley (including bearings)
9	2	124-107503	Bearing W638/8-2ZR
10	1	328-036-01	Timing Pulley 8T2.5/16
11	1	607-222	Timing Belt 6T2.5/210



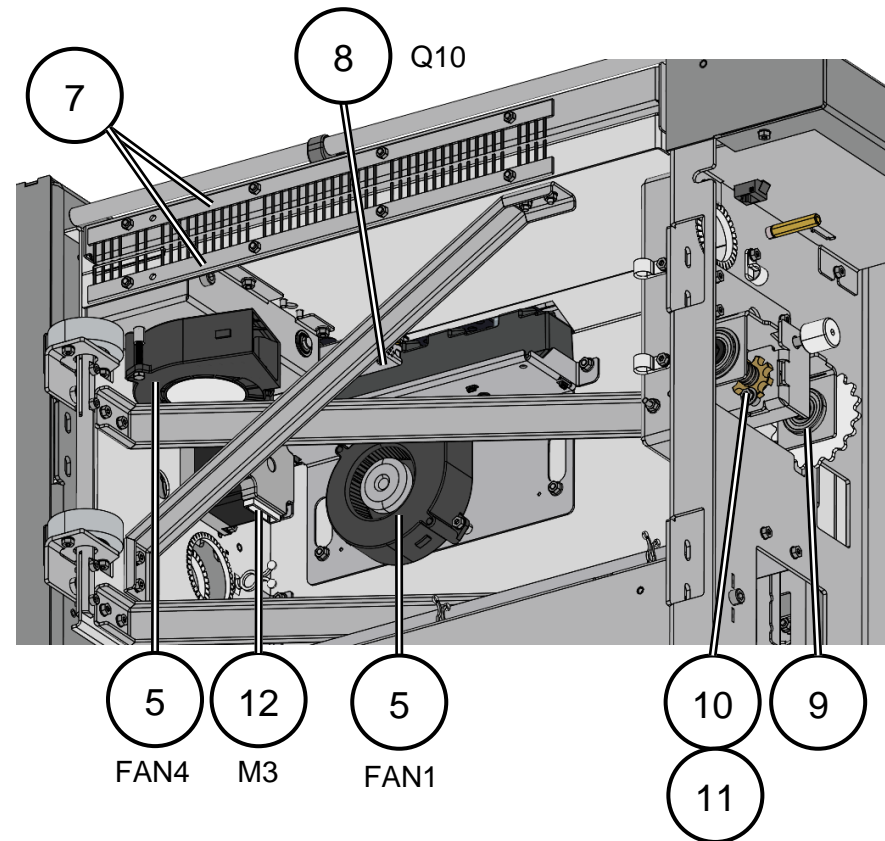
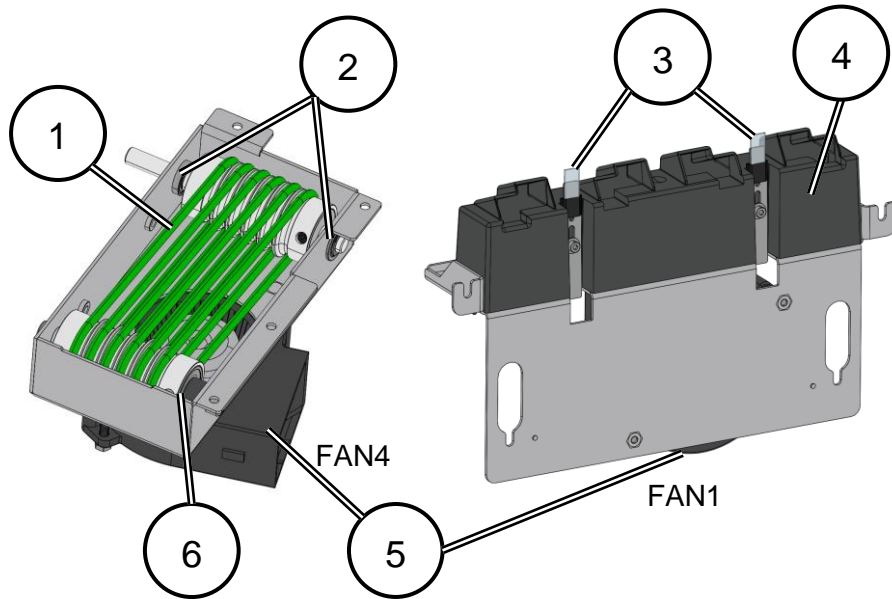
PL 2.1 Feeder – User Interface

Item	Qty	Part No.	Description
	1	14290003	User Interface (entire assembly)
1	1	960-108664	Memory Card (including operating system)



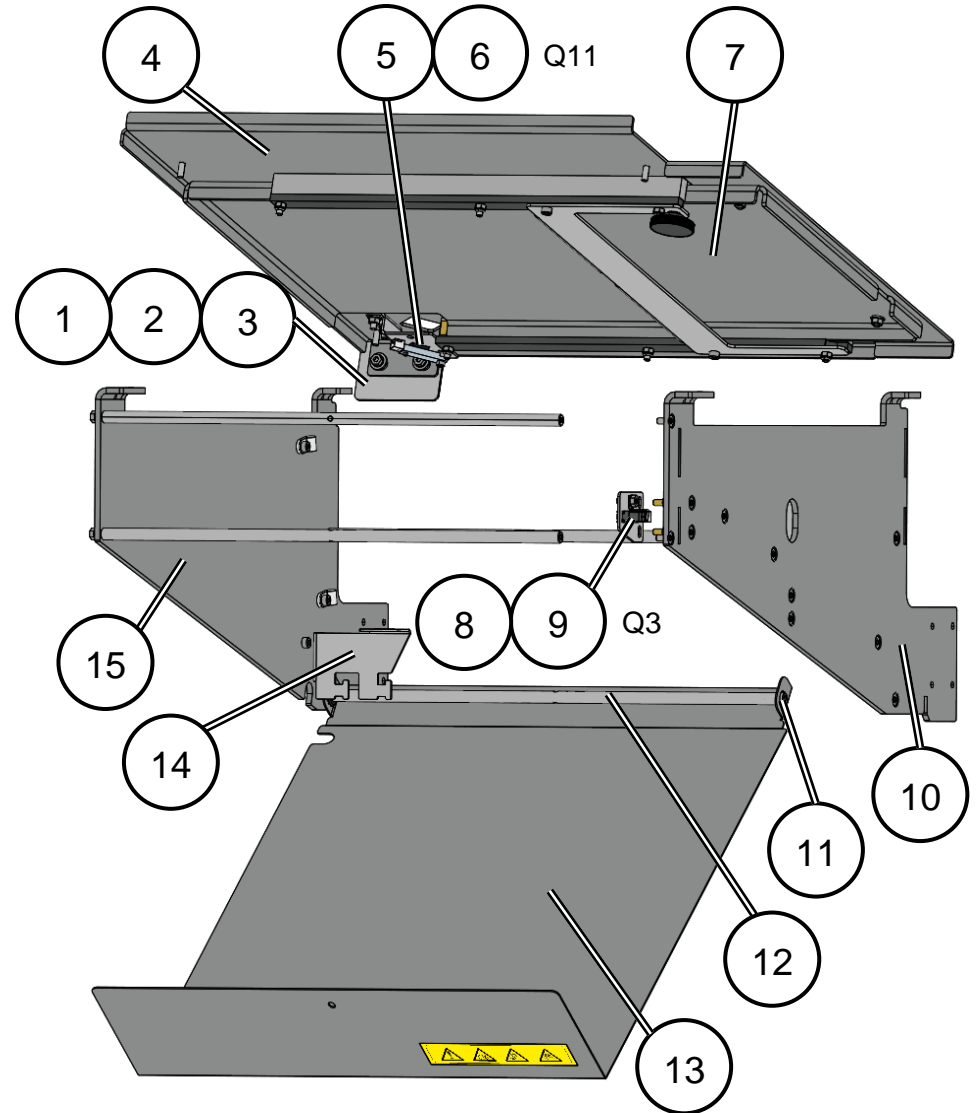
PL 3.0 Feeder – Exit Side

Item	Qty	Part No.	Description
1	6	142-113028	Round Belt Ø4 L329
2	2	124-107503	Bearing W638/8-2ZR
3	1	14290009	Separation Pads (Pair)
4	1	125-108722	Air Knife Nozzle
5	2	12590009	Blower Fan (FAN1 & FAN4)
6	2	60827	Bearing 6000-2ZC3
7	2	56677	Anti-Static Brush
8	1	12590015	Ultrasonic Double Sheet Sensor Pair (Q10)
9	2	56646	Bearing 6201-2ZNR
10	1	14290010	Trapezoidal Nut
11	1	142-113895	Leadscrew 125.5 mm
12	1	14090003	Motor 23HD446 (M3)



PL 4.0 Feeder – Paper Table

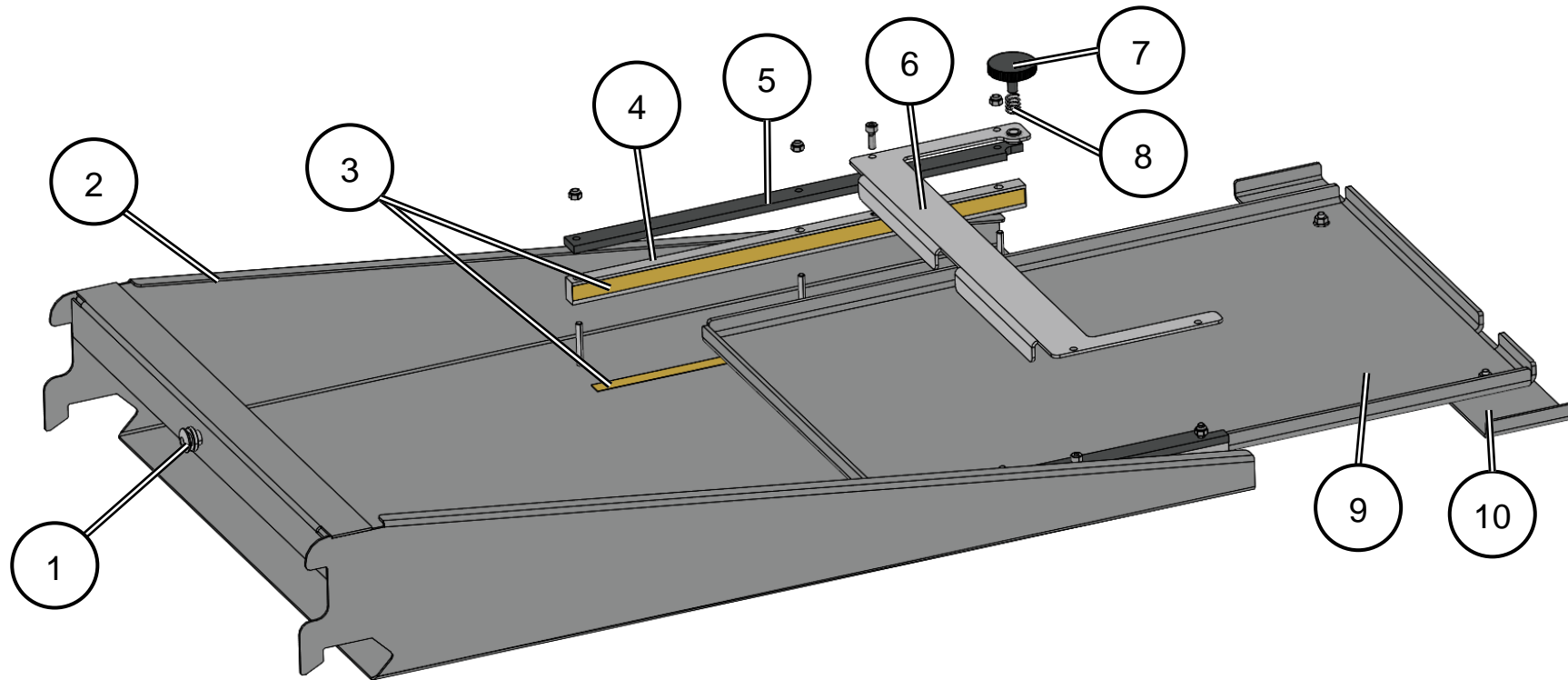
Item	Qty	Part No.	Description
	1	142-114241	Fork Assembly (including harness and sensor Q3)
	1	142-113880	Table Assembly (including sliding extension and sensor Q11)
1	1	142-113881	SP Sensor Cover Plate
2	2	90211	Spring
3	1	142-113878	Protective Sticker
4	1	142-113876	Paper Table
5	1	96997	Table Empty Sensor (Q11)
6	1	142-113873	Sensor Bracket
7	1	See items 3 – 10 in PL 4.1	Sliding Extension
8	1	101-102822	Extension Sensor (Q3)
9	1	142-114282	Sensor Bracket
10	1	142-114238	Table Fork R
11	2	26092	Grommet
12	4	142-114237	Shaft
13	1	142-114019	Fork Cover
14	1	142-114240	Cable Bracket
15	1	142-114239	Table Fork L
	1	142-114134	HARNESS M-LITE FE TABLE SENS



PL 4.1 Feeder – Paper Table Extension

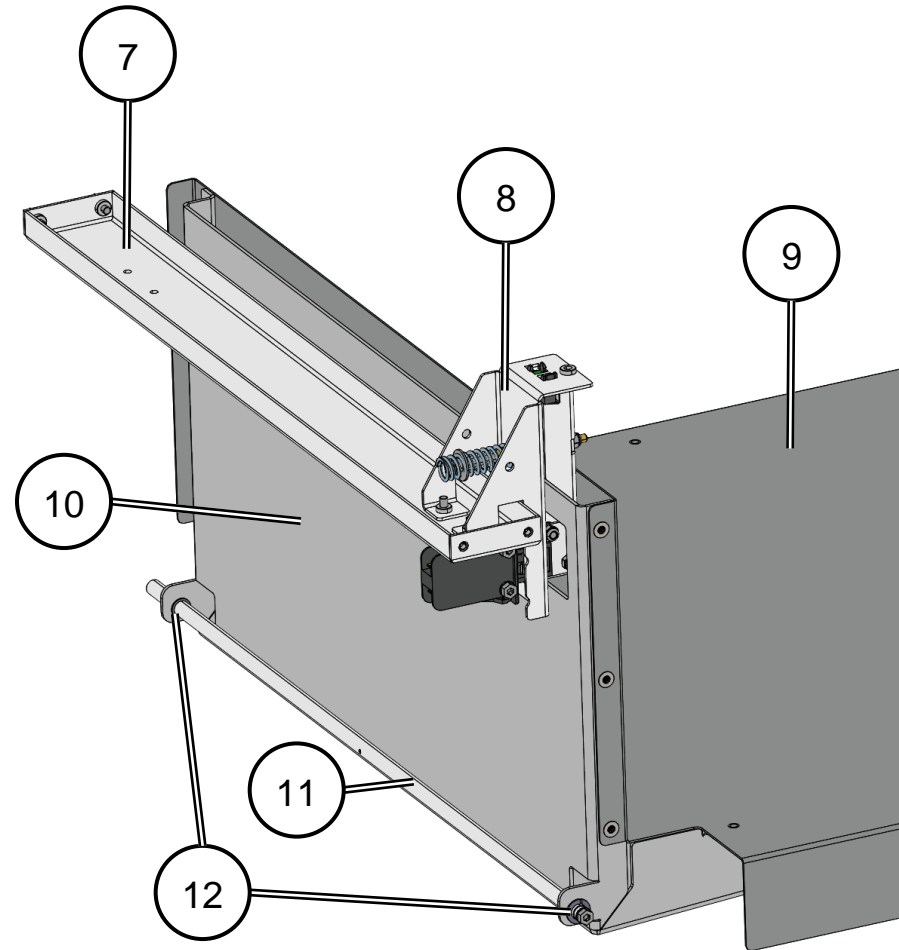
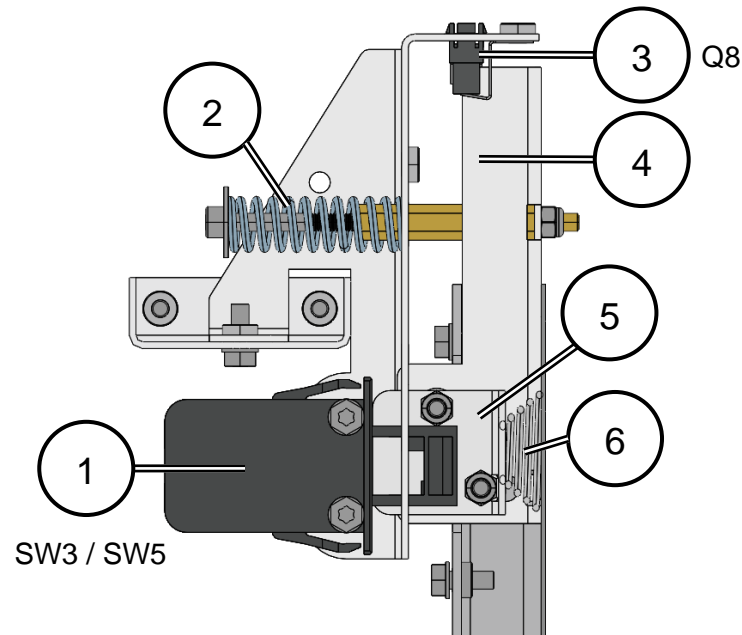
Item	Qty	Part No.	Description
	1	142-114177	Table Extension (entire assembly)
1	1	102-104350	Earthing Stud
2	1	142-114180	Table Extension Frame
3	1.3m	80801	Teflon Tape
4	2	142-113871	Table Stiffener
5	2	142-113872	Slide Bar

Item	Qty	Part No.	Description
6	1	142-113874	Table End Stop
7	1	47199	Knob
8	1	604-029	Spring
9	1	142-113875	Sliding Table Extension
10	1	142-113877	Paper Support



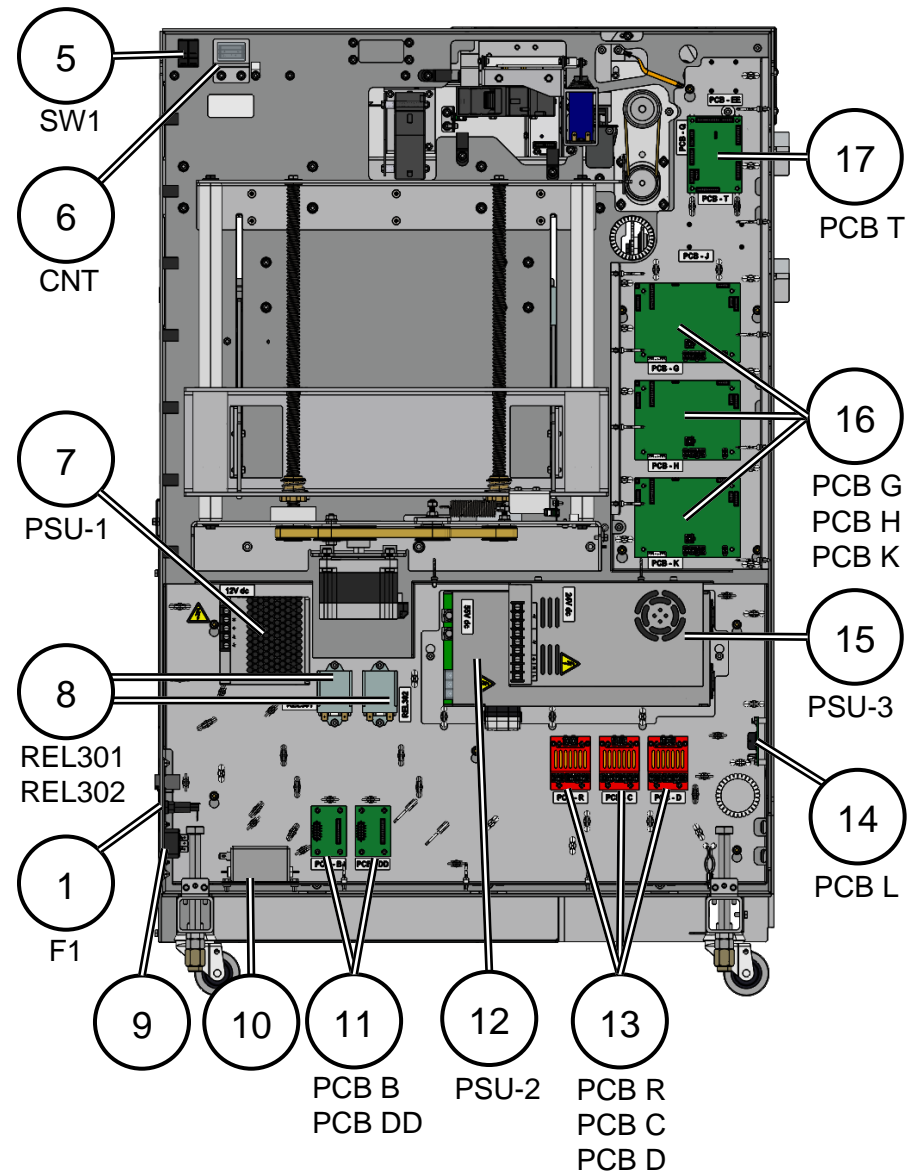
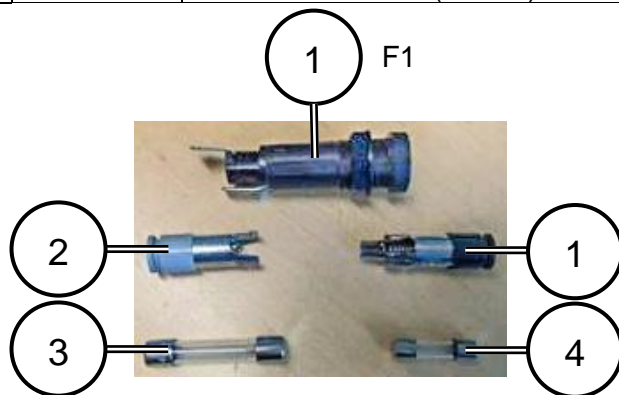
PL 5.0 Feeder – Safety Base

Item	Qty	Part No.	Description
1	1	122-105331	Interlock Switch (SW3 / SW5)
2	1	75301	Spring
3	1	101-102822	Bottom Safety Sensor (Q8)
4	1	142-113879	Safety Sensor Flag
5	1	142-115278	Safety Sensor Flag
6	1	125-109215	Conical Spring
7	1	125-107768	Bracket
8	1	142-113882	Sensor Bracket
9	1	142-113897	Safety Base Cover
10	1	142-115277	Safety Base Stiffener
11	1	122-105177	Shaft
12	2	76037	Clip Bearing



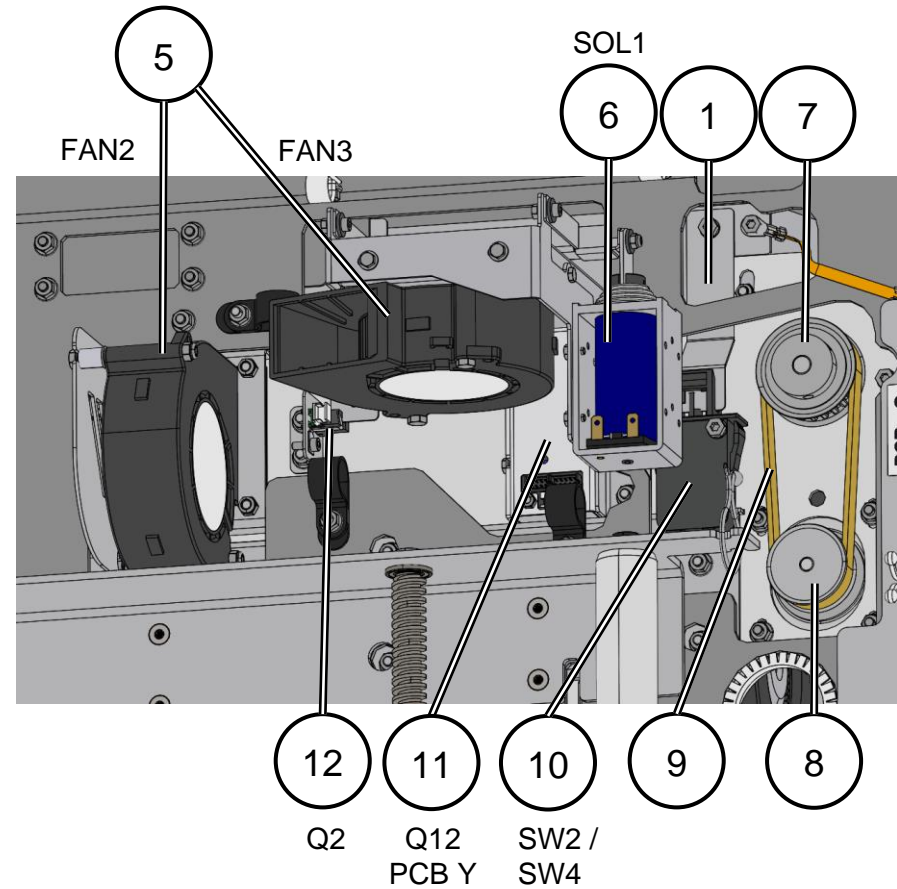
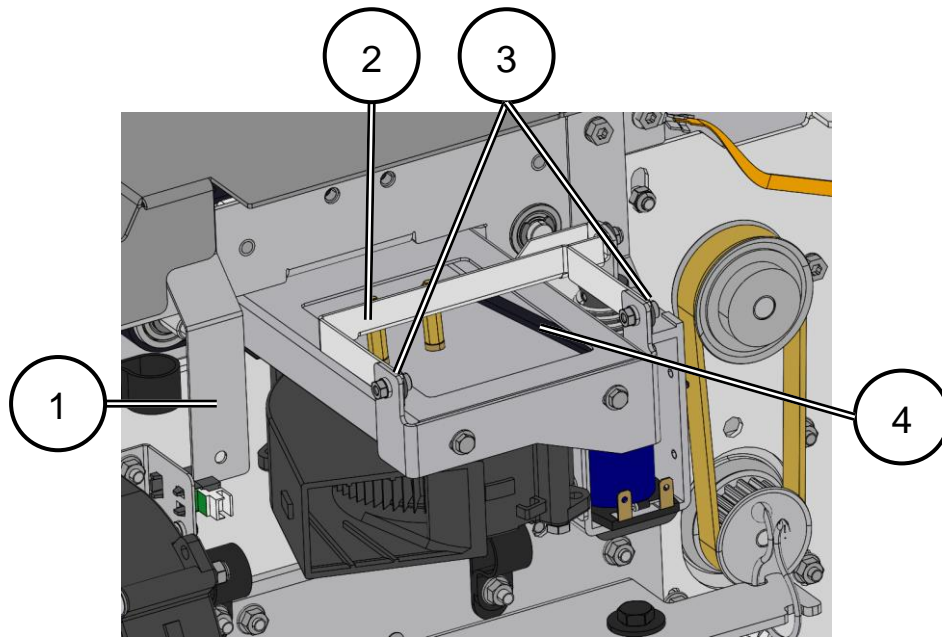
PL 6.0 Feeder – Rear Side

Item	Qty	Part No.	Description
1	1	96833	Fuse Holder (including Fuse Holder Knob 5x20 mm (for 140-240 V ac)) (F1)
2	1	128-110087	Fuse Holder Knob 6.3x32 mm (for 100-140 V ac)
3	1	128-110186	Fuse T12A 6.3x32 mm (for 100-140 V ac)
4	1	88557	Fuse T6.3A 5x20 mm (for 140-240 V ac)
5	1	60976	Power Switch (SW1)
6	1	960-108513	Counter (CNT)
7	1	960-109882	Power Supply 12 V 75 W (PSU-1)
8	2	172057	Relay 3mm DPNO 16A/250V 12VDC (REL301 & REL302)
9	1	18247	Power Inlet C20 20A
10	1	128-110085	Filter 16A
11	2	12590006	PCB PTC411 (PCB B & PCB DD)
12	1	960-109946	Power Supply 48 V 1000 W (PSU-2)
13	3	14290012	PCB PTC 7375 (PCB R, PCB C & PCB D)
14	1	12590007	PCB 2x10P Commoning Block (PCB L)
15	1	960-112598	Power Supply 24 V 320 W (PSU-3)
16	3	12590005	PCB M21H (PCB G, PCB H & PCB K)
17	1	12590004	PCB CPU APP 32 (PCB T)



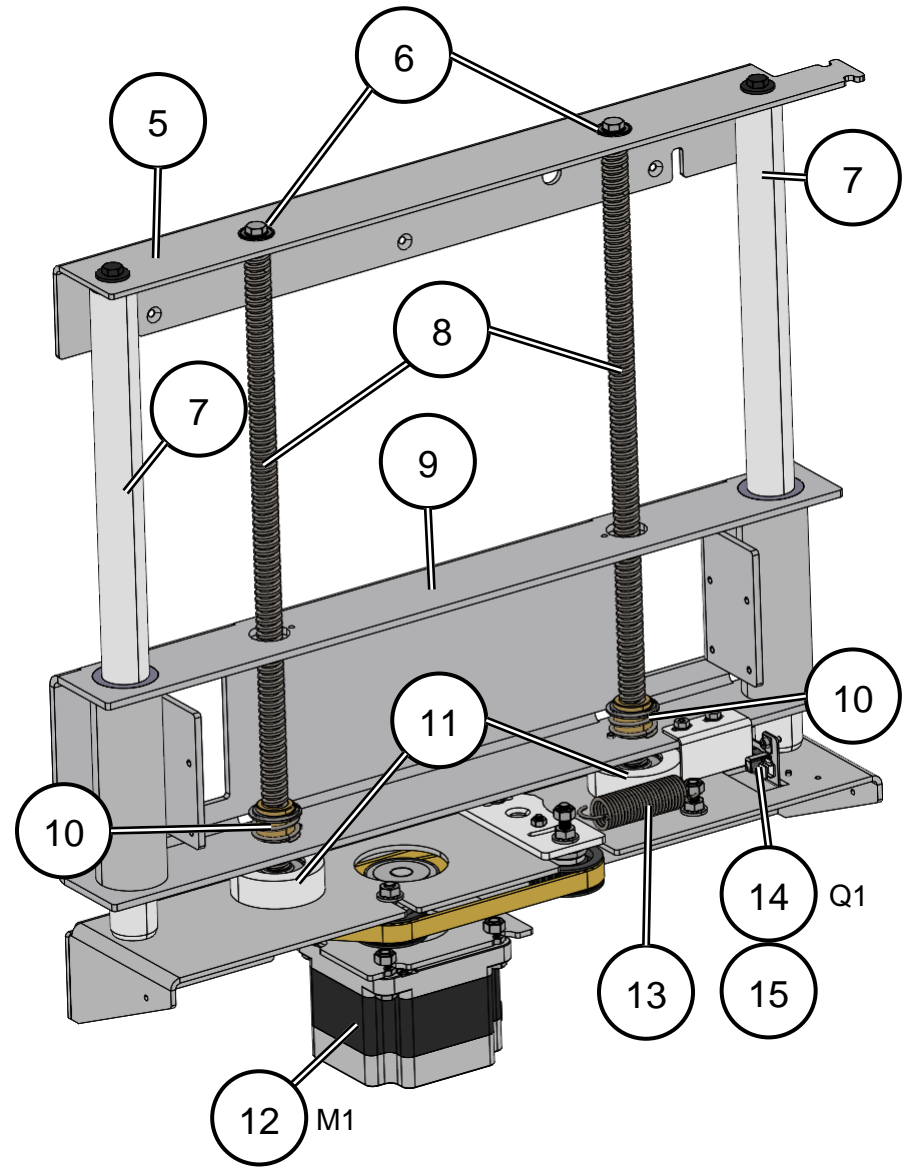
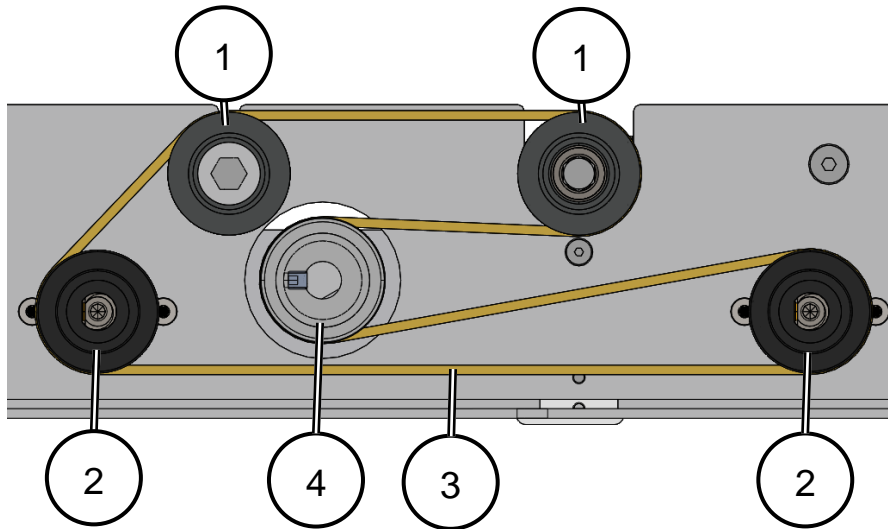
PL 6.1 Feeder – Feeding Mechanism

Item	Qty	Part No.	Description
1	2	142-114161	Sensor Flag
2	1	125-108713	Vacuum Valve Arm
3	2	125-109288	Bushing
4	2	125-108417	Vacuum Gasket
5	2	12590009	Blower Fan (FAN2 & FAN3)
6	1	12590021	Solenoid (including link arm) (SOL1)
7	1	106-106674	Timing Pulley 21T5/24
8	1	137-112213	Timing Pulley 21T5/19
9	1	140-111466	Timing Belt 10T5/270
10	1	122-105331	Interlock Switch (SW3 / SW5)
11	1	12590031	SP Sensor (Q12 / PCB Y)
12	1	101-102822	Top Safety Sensor (Q2)



PL 6.2 Feeder – Lift Mechanism

Item	Qty	Part No.	Description
	1	142-113870	Lift Mechanism (entire assembly)
1	2	106-101259	Timing Pulley T5/24
2	2	122-105646	Timing Pulley T5/24
3	1	53980	Timing Belt 10T5/880
4	1	122-107326	Timing Pulley T5/24
5	1	142-113867	Lift Bracket Top
6	2	21533	Bearing 626-2Z
7	2	142-113869	Shaft Ø25
8	2	125-107703	Leadscrew
9	1	142-113866	Lift Carriage (including linear bearings)
10	2	14290010	Trapezoidal Nut
11	2	12590025	Bearing 2201E2RS1 (including housing)
12	1	14290011	Motor 34HD612 (M1)
13	1	106-101959	Spring
14	1	101-102822	Lift Home Sensor (Q1)
15	1	142-113868	Sensor Bracket

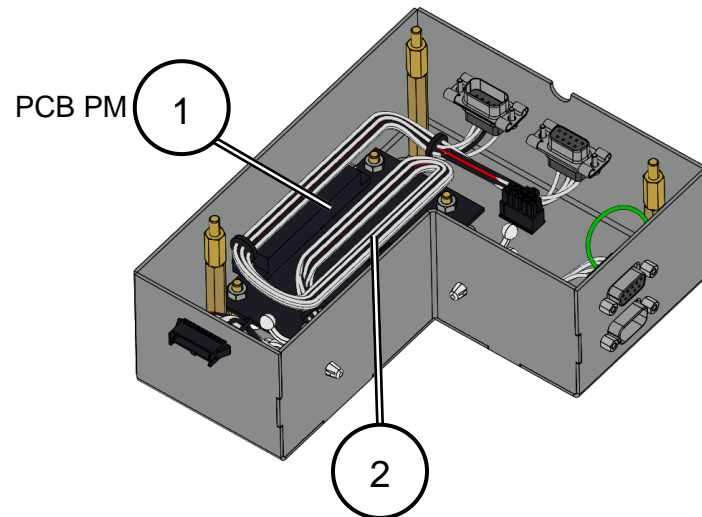


PL 7.0 Feeder – Options

Item	Qty	Part No.	Description
1	1	125-113540	DFA Kit (see PL 7.1)

PL 7.1 Feeder – DFA kit

Item	Qty	Part No.	Description
	1	125-113540	DFA Kit (entire assembly)
1	1	960-113365	PCB Opto Printer Mode (PCB PM)
2	1	125-113611	HARNESS VF COMMUNICATION BOX



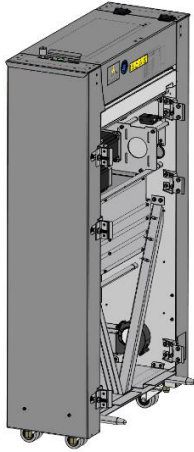
PL 8.0 Feeder - Wire Harnesses

Index	Qty	Part No.	Description	Connections / Reference Numbers
1	1	142-114131	HARNESS M-LITE FE SENSOR MAIN	Chassis Connectors (J2) (J216) (J308) Fans (FAN1) (FAN2) (FAN3) (FAN4) (FAN7) (FAN8) PCB D (D,P2) (D,P4) PCB EE (EE,P1) (EE,P2) (EE,P3) (EE,P4) PCB G (G,P3) PCB H (H,P8) PCB J (J,P2) PCB L (L,P2) (L,P3) PCB Q (Q,P26) PCB T (T,P1) (T,P2) (T,P3) (T,P4) Sensors (Q1) (Q2) (Q4) (Q7LED) (Q7PHT) (Q8) (Q10R) (Q10T) Solenoids (CNT) (SOL1) Switches (SW4,3) (SW4,4) (SW5,3) (SW5,4)
2	1	142-114132	HARNESS M-LITE FE MOTOR MAIN	Motors (M1) (M2) PCB C (C,P2) PCB G (G,P7) (G,P9) PCB H (H,P7) (H,P9) PCB K (K,P9)
3	1	142-114134	HARNESS M-LITE FE TABLE SENS	Chassis Connector (P1) Sensors (Q3) (Q11)
4	1	142-114135	HARNESS M-LITE FE TABLE FLEX	Chassis Connectors (J1) (P1)
5	1	142-114392	HARNESS M-LITE FEEDER 24V 55V	PCB C (C,P1) (C,P3) PCB D (D,P1) PCB R (R,P1) (R,P3) Power supply PSU-2 (55V out) Power supply PSU-3 (24V out)
6	1	137-112633	HARNESS PRIMARY PSU 280mm	Power supply PSU-3 (AC in) Relay REL302 (14) (34)
7	1	133-113013	HARNESS IL TO 26V PSU	Power supply PSU-2 (AC in) Relay REL301 (14) (34)
8	2	137-112647	HARNESS 12V PSU 330mm	PCB B (B,P1) PCB DD (DD,P1) Power supply PSU-1 (12V out)

Index	Qty	Part No.	Description	Connections / Reference Numbers
9	1	131-109699	HARNESS PSU RELAY COILS HCI	Chassis Connector (J316) Relay REL301 (A1) (A2) Relay REL302 (A1) (A2)
10	1	128-115544	HARNESS M-FEEDER PRIM. 3-P MNL	Chassis Connector (J27) Filter (L) (N) Power supply PSU-1 (AC in) Relay REL301 (11) (31) Relay REL302 (11) (31) Switch SW1 (1) (2) (4) (5)
11	1	128-109214	HARNESS M-FEEDER PRIMARY INLET	Filter (L) (N) Fuse (F1) GND Inlet
12	1	142-114393	HARNESS M-LITE FEEDER 55V MNL	Chassis Connector (J110) PCB R (R,P2) (R,P4)
13	1	142-114652	HARNESS M-LITE FEEDER IXCAN	Chassis Connectors (J23) (J307) (P12) (P316) (P351) PCB B (B,P2) PCB DD (DD,P2) PCB G (G,P5) (G,P6) PCB H (H,P5) (H,P6) PCB J (J,P1) PCB K (K,P5) (K,P6) PCB T (T,P5) (T,P6) (T,P7) (T,P8) (T,P10) PCB Y (Y,P1) Switches (SW2,1) (SW2,2) (SW3,1) (SW3,2)
14	1	102-108433	CABLE RJ45 SHIELDED 2M	Inlet UI
15	1	102-108432	HARNESS COLOUR UI 5050	Chassis Connector (J351) PCB V (V,P6) (V,P7)
16	1	960-108538	CABLE RJ45 0,31M	UI
17	1	960-108361	USB 2.0 CABLE 0.5M A-MALE B-MALE	UI
18	1	125-113611	HARNESS VF COMMUNICATION BOX (optional)	Chassis Connectors (J23PM) (J24PM) (J72PM) (P23UI) (P24PM) (P307PM) PCB PM (PM,P6)

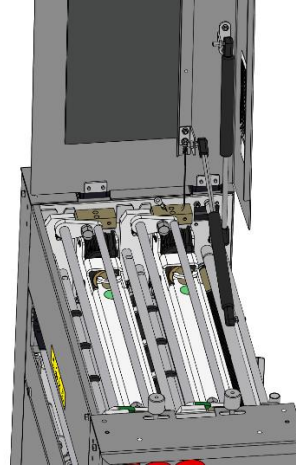
Creaser Component Location / Category

Creaser – Exterior



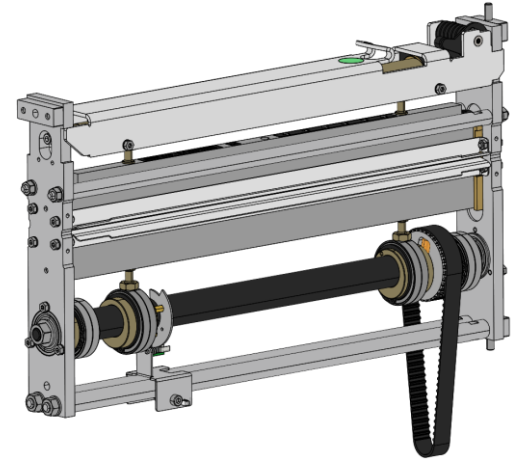
PL 9.0

Creaser – Top View



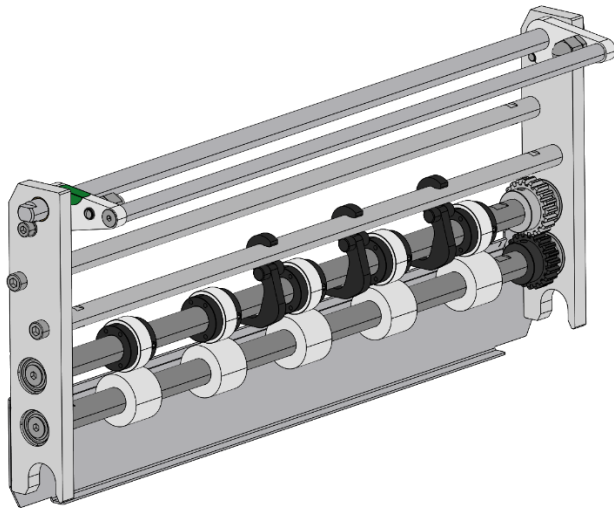
PL 10.0

Creaser – Static Creasing Unit



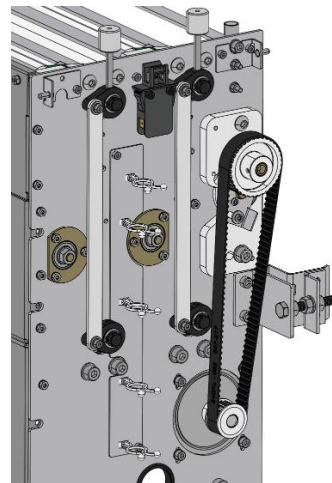
PL 11.0

Creaser – Rotary Tool Carrier



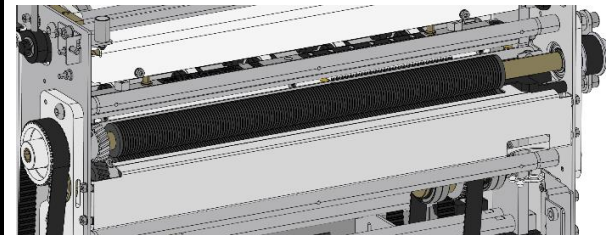
PL 12.0

Creaser – Front Side



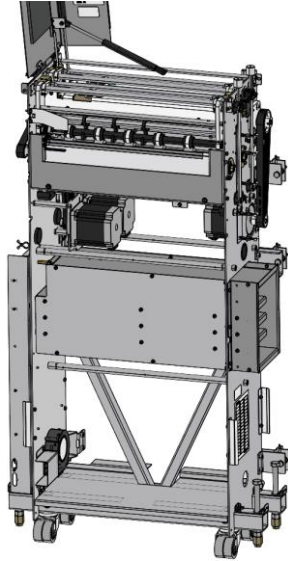
PL 13.0

Creaser – Entry Side



PL 14.0

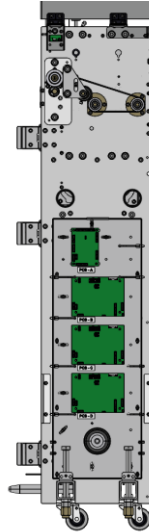
Creaser – Exit Side



PL 15.0

Creaser – Options

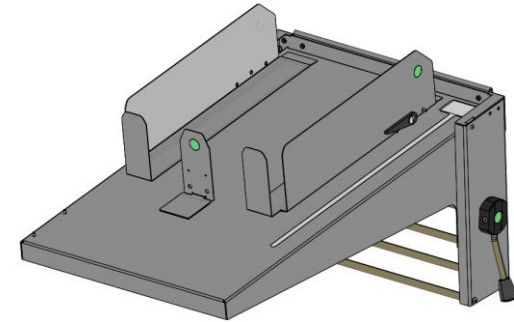
Creaser – Rear Side



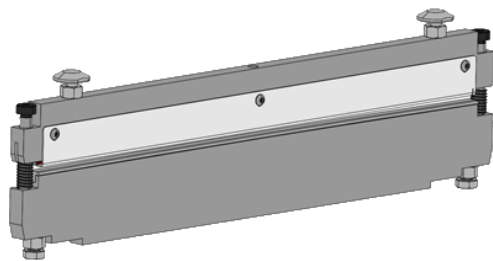
PL 16.0

Creaser - Wire Harnesses

Creaser – Adjustable Stacker



PL 17.0



PL 18.0



PL 19.0

Creaser Electrical Components Index

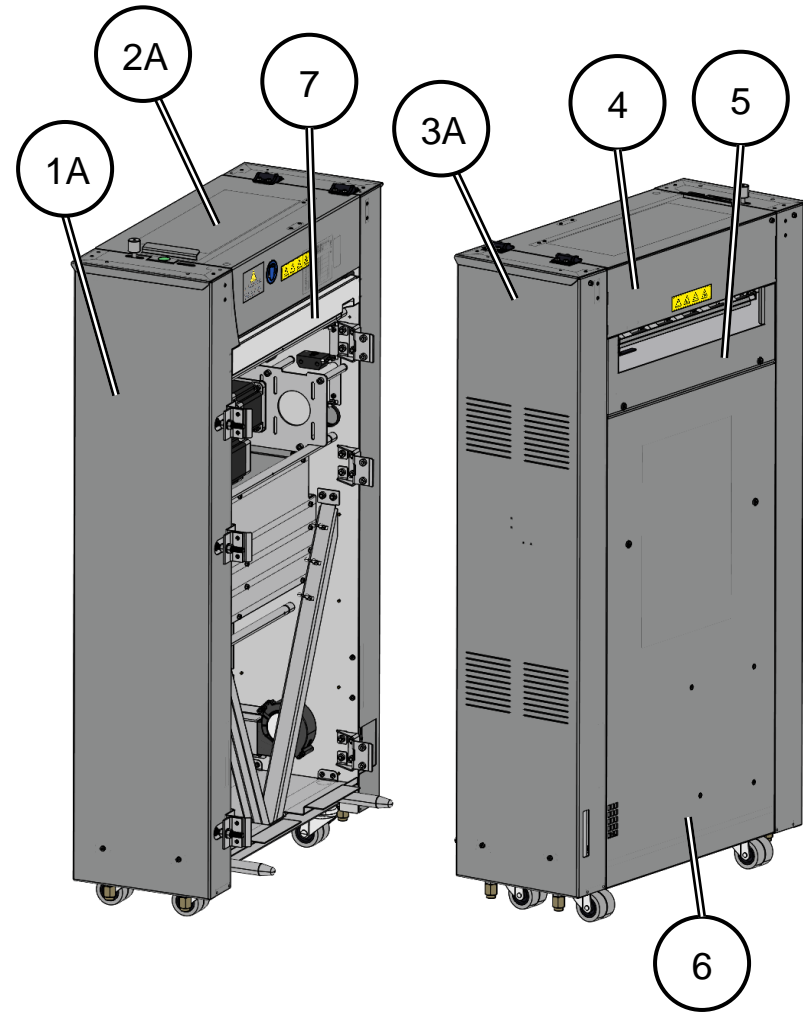
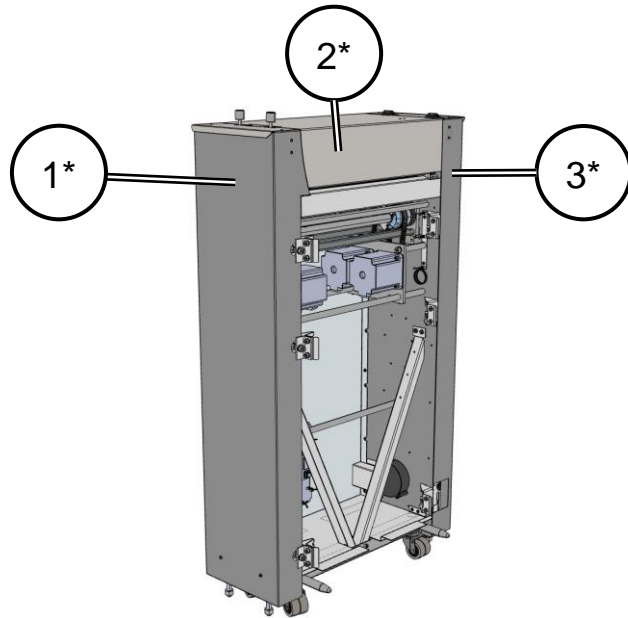
Component	Description	Page
FAN8	Cooling fan	PL 15.0
M21	Roller drive motor	PL 13.0
M22 (optional)	Creaser 1 drive motor	PL 15.0
M23	Creaser 2 drive motor	PL 15.0
PCB "A"	Main processor CPU APP32	PL 16.0
PCB "B"	Motor M21 driver M21H	PL 16.0
PCB "C" (optional)	Motor M22 driver M21H	PL 16.0
PCB "D"	Motor M33 driver M21H	PL 16.0
Q20	Input sensor	PL 14.0
Q21 (optional)	Creaser 1 home sensor	PL 11.0
Q22	Creaser 2 home sensor	PL 11.0
Q25	Exit sensor	PL 15.0
SOL21	Sheet counter	PL 16.0
SW21/SW22	Cover interlock switch	PL 13.0

Creaser Parts List

PL 9.0 Creaser – Exterior

Item	Qty	Part No.	Description
1*	1	333-038-02 – 63	Front Cover (without shelf cutout)*
1A	1	129-115335 – 63	Front Cover (with shelf cutout)
2*	1	333-039-01 – 63	Top Cover*
2A	1	129-115626 – 63	Top Cover
3*	1	333-031-02 – 63	Rear Cover*
3A	1	129-115625 – 63	Rear Cover
4	1	333-032-01 – 63	Upper Exit Cover
5	1	332-028-01 – 63	Stacker Brace
6	1	333-002-01 – 63	Lower Exit Cover
7	1	129-115268	Entry Guard

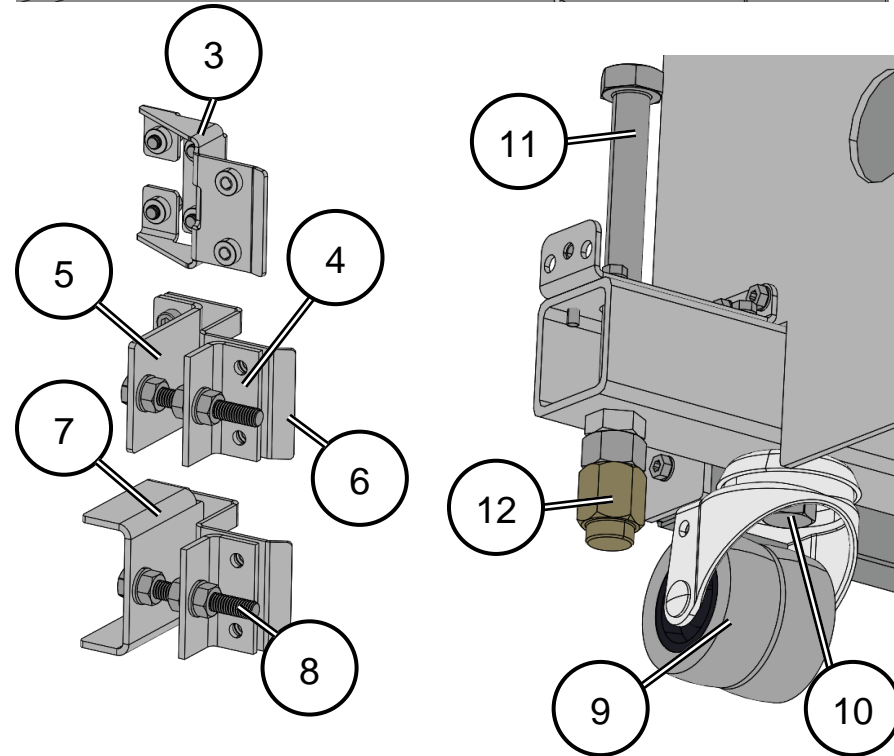
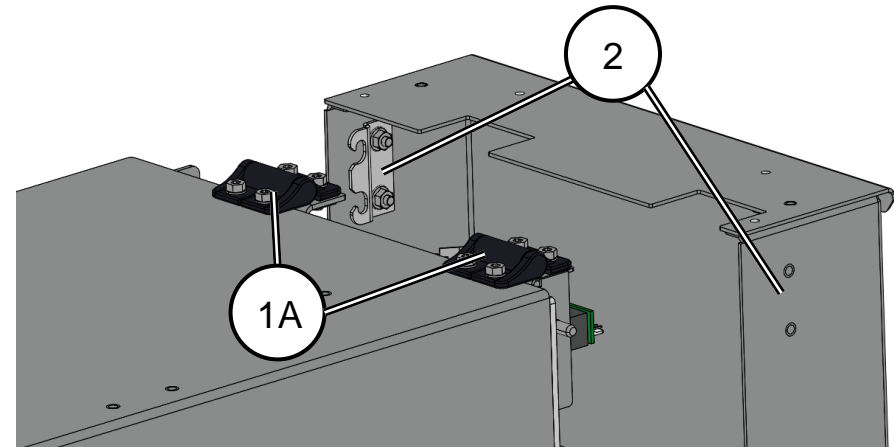
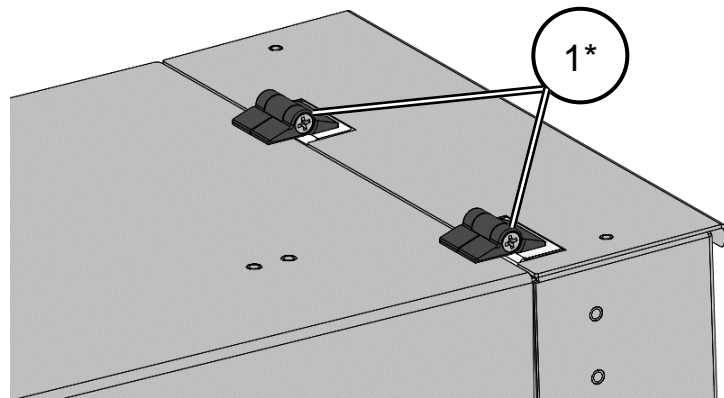
*Only for machines with serial numbers below L142B00100



PL 9.1 Creaser – Exterior Hardware

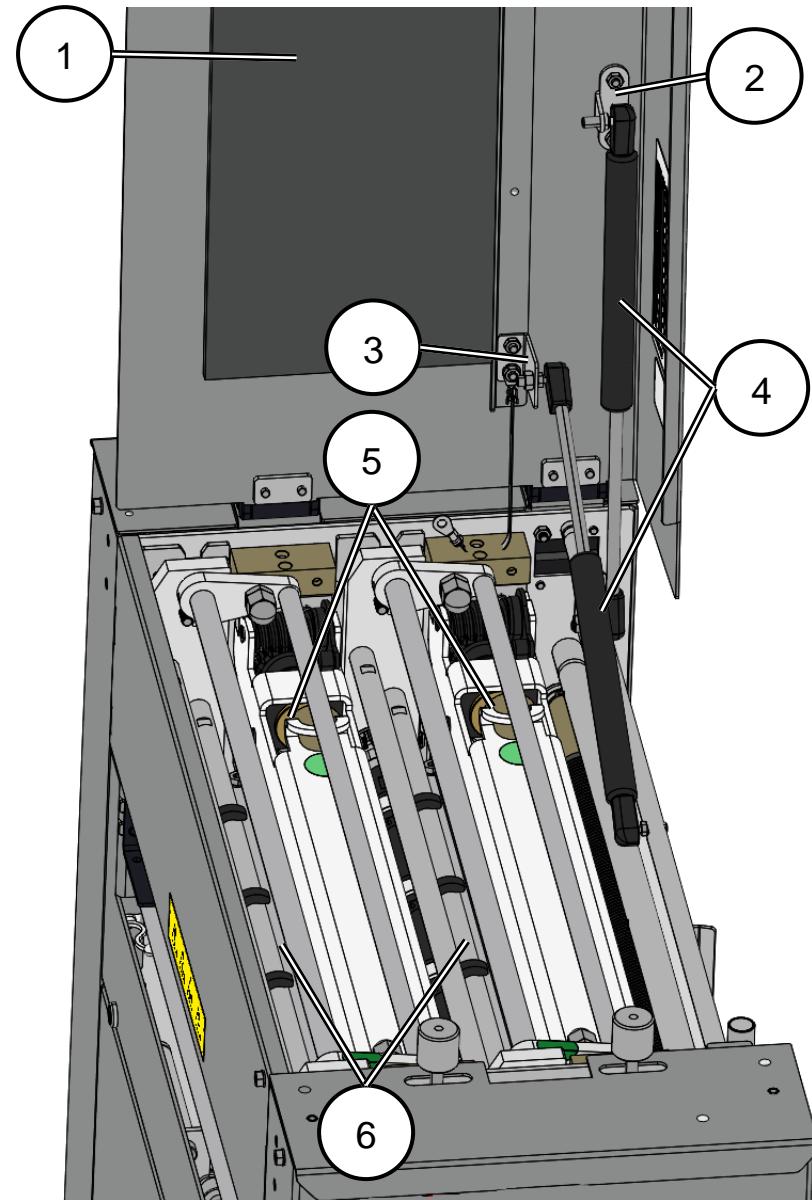
Item	Qty	Part No.	Description
1*	2	606-019	Top Cover Hinge*
1A	2	143-115248	Top Cover Hinge
2	4	323-036-02	Cover Hook
3	3	142-113886	Docking Bracket IB
4	3	335-074-02	Interface Clamp Bracket
5	2	142-113888	Docking Bracket OB External
6	3	142-113887	Docking Bracket OB Internal
7	1	142-113889	Docking Bracket OB External Mid
8	3	99289	Screw M6S M8x60
9	4	26700	Caster Wheel
10	4	99150	Screw M6S M10x25
11	4	99596	Screw M6S M12x140
12	4	143-115412	Foot Adapter

*Only for machines with serial numbers below L142B00100



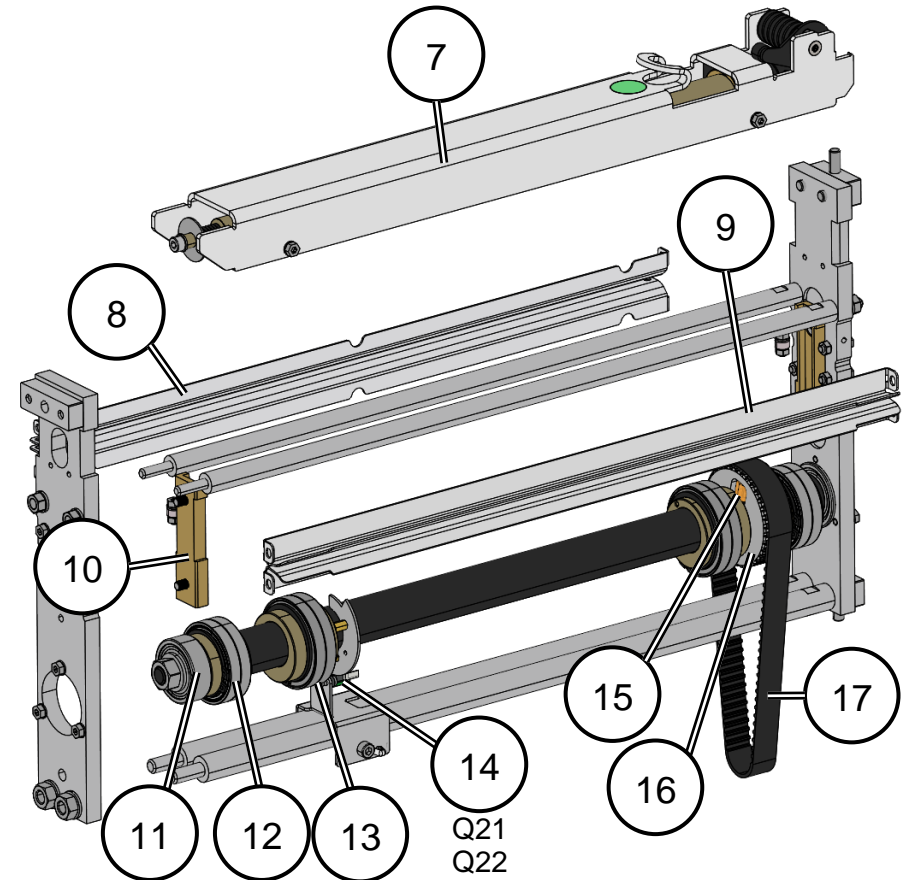
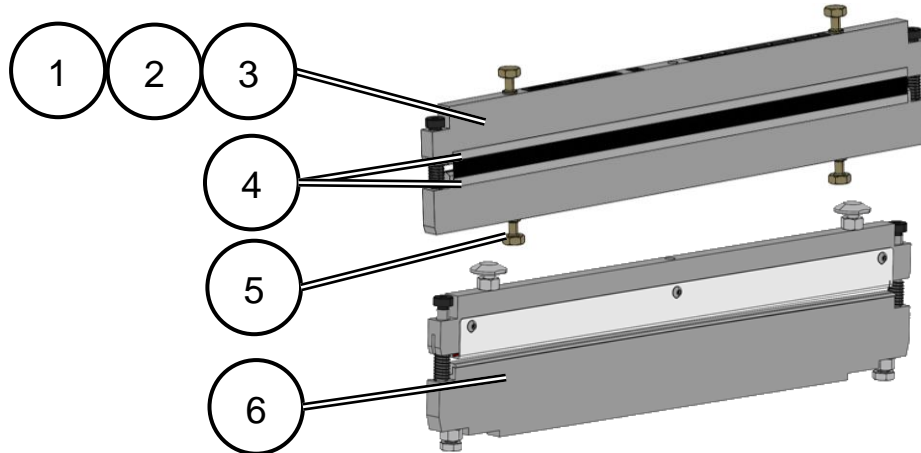
PL 10.0 Creaser – Top View

Item	Qty	Part No.	Description
1	1	323-068-01	Soundproofing – Lid
2	1	129-115858	Ball Bracket
3	2	333-036-01	Strut Bracket – Lid
4	2	604-122	Gas Strut
5	2	129-115841	Static Creaser Assembly (see PL 11.0)
6	2	14200011	Rotary Tool Carrier (see PL 12.0)



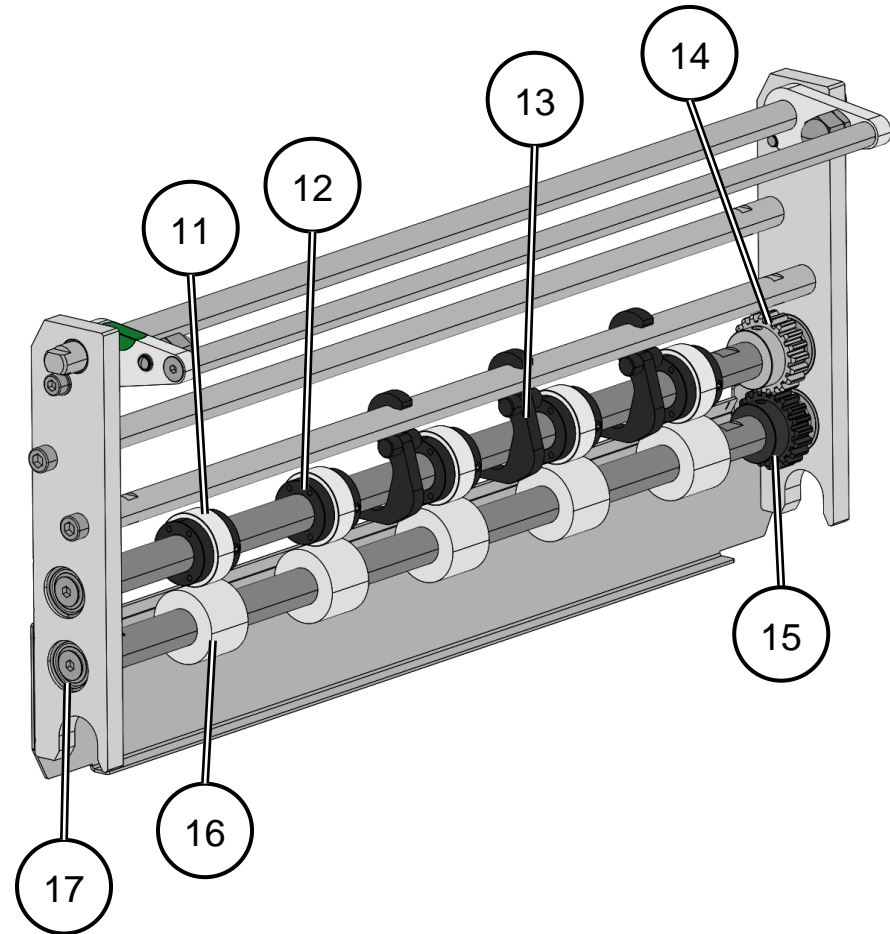
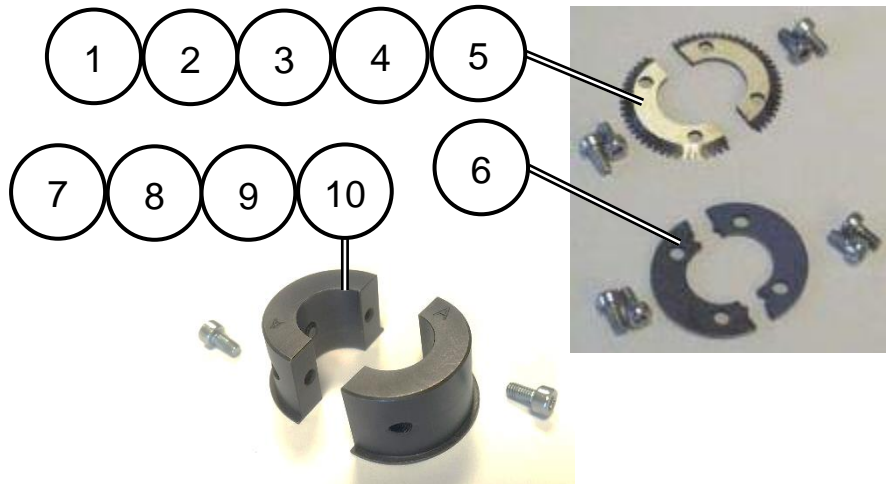
PL 11.0 Creaser – Static Creasing Unit

Item	Qty	Part No.	Description
	1	129-115841	Static Creaser (entire assembly)
	1	14200001	Optional Kit – Additional Static Creaser
1	1	14200002	Standard Static Creaser Blade
2	1	14200003	Narrow Static Creaser Blade
3	1	14200004	Extra Narrow Static Creaser Blade
4	2	176-013-01	Anti-Static Brush
5	4	129-115729	Creaser Blade Spacer
6	1	14200005	Cross Perforation Blade
7	1	129-115730	Static Creaser Bridge
8	2	143-114895	Creaser Paper Exit Guide
9	2	143-114894	Creaser Paper Entry Guide
10	2	336-064-01	Blade Slide </td
11	2	602-191	Bearing 6301-ZZ
12	4	602-048	Bearing 61807-2RS
13	4	602-241	Bearing 61808-2RZ
14	1	762044	Sensor Card GP1S51 (Q21 / Q22)
15	2	336-072-01	Buffer Tube
16	1	336-087-01	Timing Pulley 36XL
17	1	607-221	Timing Belt 164XL



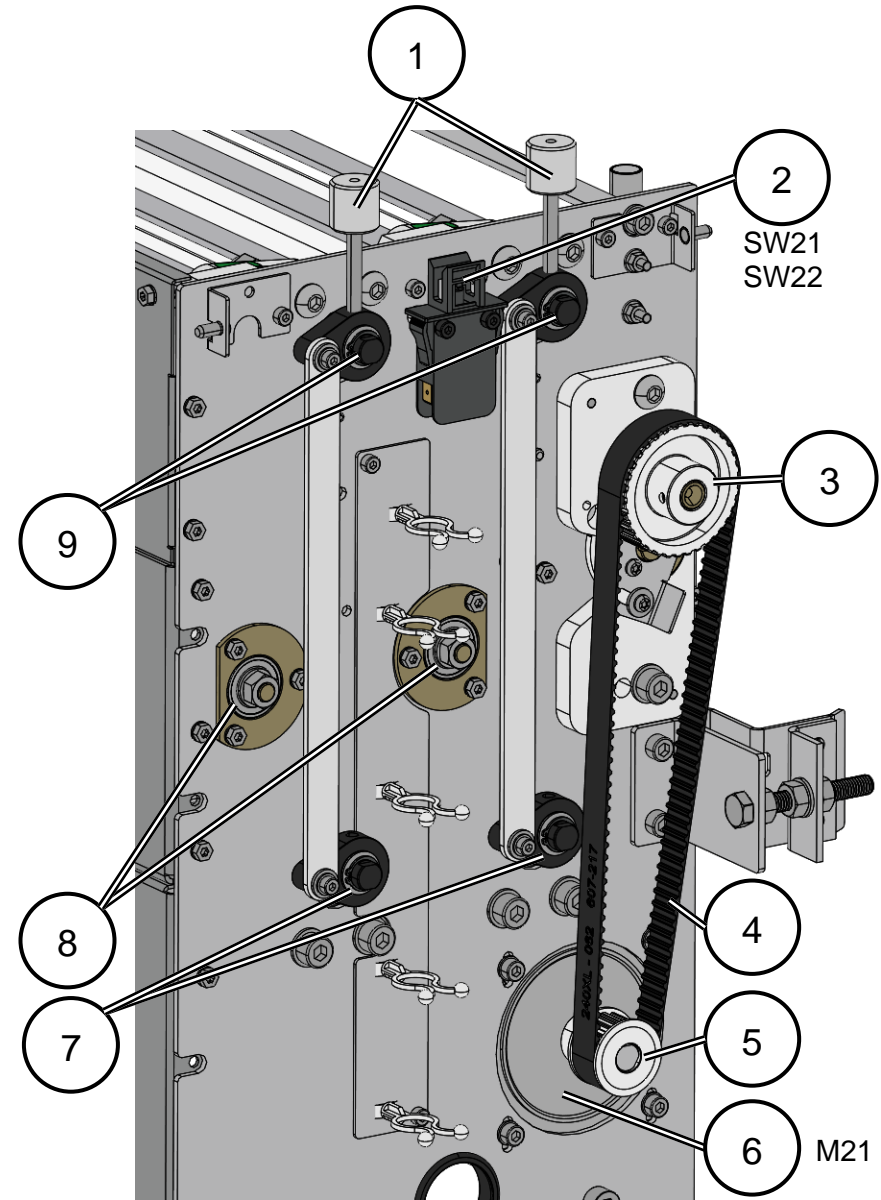
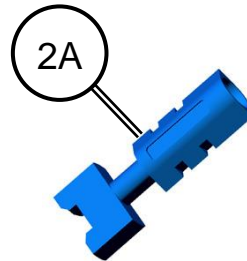
PL 12.0 Creaser – Rotary Tool Carrier

Item	Qty	Part No.	Description
	1	14200011	Rotary Tool Carrier (entire assembly)
1	1	1-99-10	20T Rotary Perforation Blade (5 TPI)
2	1	1-99-12	28T Rotary Perforation Blade (7 TPI)
3	1	1-99-41	56T Rotary Perforation Blade (14 TPI)
4	1	1-99-42	96T Rotary Perforation Blade (24 TPI)
5	1	1-99-13	Rotary Slitting Blade
6	1	1-99-35	Anvil (for all blade types)
7	1	6-99-05	Scorer Type A (Light Score)
8	1	6-99-06	Scorer Type B (Heavy Score)
9	1	6-99-07	Scorer Type C (Very Hard Materials)
10	1	6-99-08	Scorer Type D (Pre-Fold Pencil Score)
11	5	08-015	Perforator Drive Tire
12	5	76-081	Perforator Drive Hub
13	3	177-05-01	Perforator Stripper
14	1	337-003-02	Gear 20T Steel
15	1	337-003-01	Gear 20T Delrin
16	5	08-057	Perforator Drive Wheel
17	4	60827	Bearing 6000-2ZC3



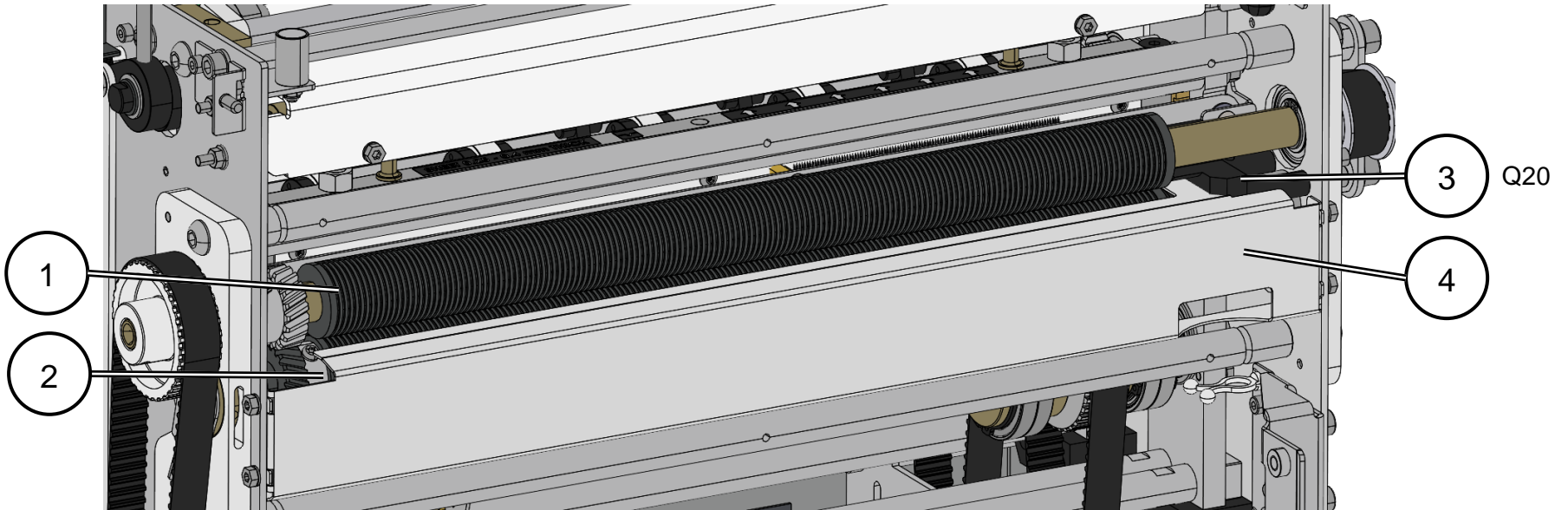
PL 13.0 Creaser – Front Side

Item	Qty	Part No.	Description
1	2	335-038-01	Knob
2	1	122-105331	Interlock Switch (SW21/SW22)
2A	1	95177	Interlock Cheater
3	1	335-010-04	Timing Pulley 35XL
4	1	607-217	Timing Belt 240XL
5	1	335-011-04	Timing Pulley 18XL
6	1	12990001	Motor 34HD121-37B (M21)
7	2	335-17-01	Tilt Cam Assembly Lower
8	2	60827	Bearing 6000-2ZC3
9	2	335-17-02	Tilt Cam Assembly Upper



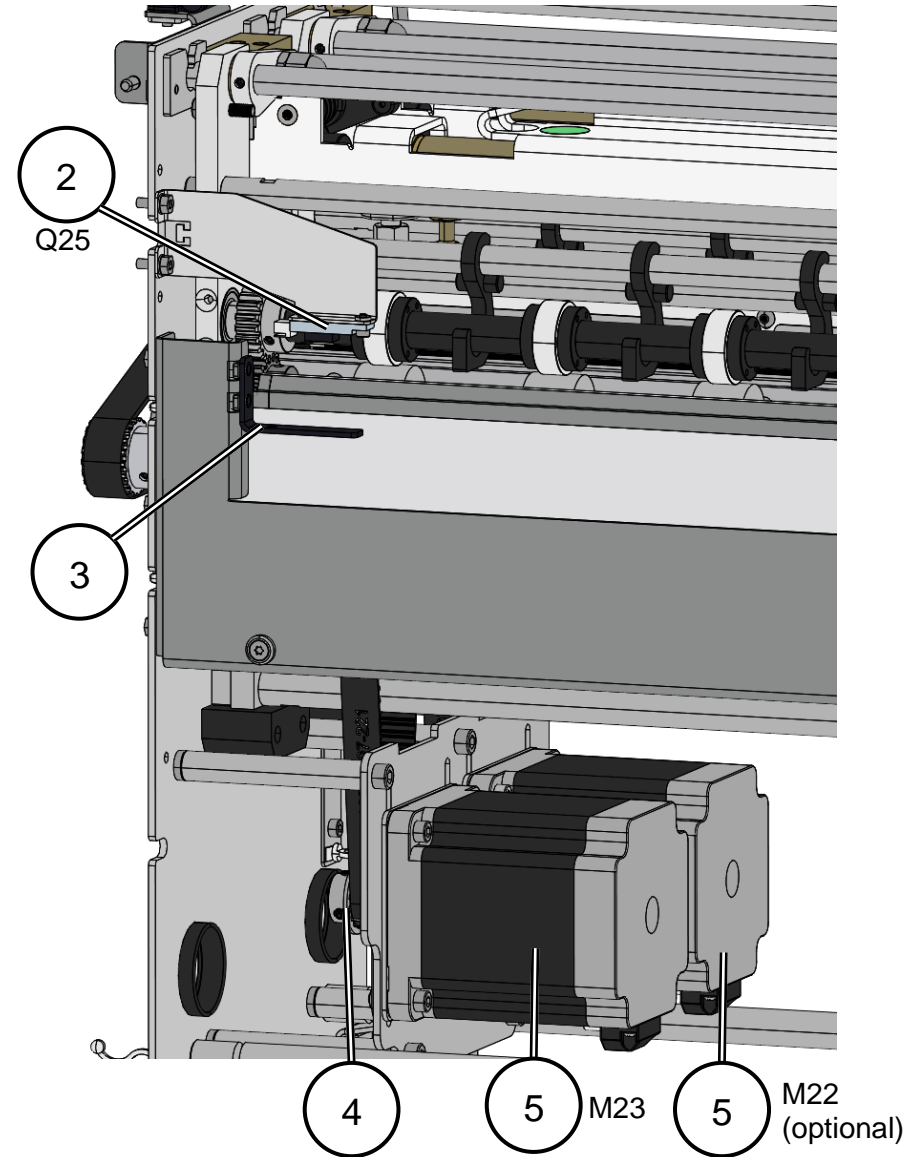
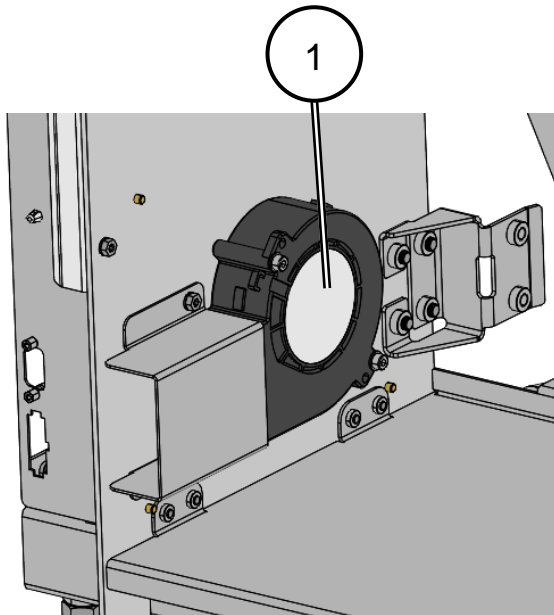
PL 14.0 Creaser – Entry Side

Item	Qty	Part No.	Description
1	1	12990002	Upper Input Roller Assembly (including inboard bearing and helical gear)
2	1	12990003	Lower Input Roller Assembly (including eccentric collars and helical gear)
3	1	12990004	Input Sensor (Q20)
4	1	129-115268	Entry Guard



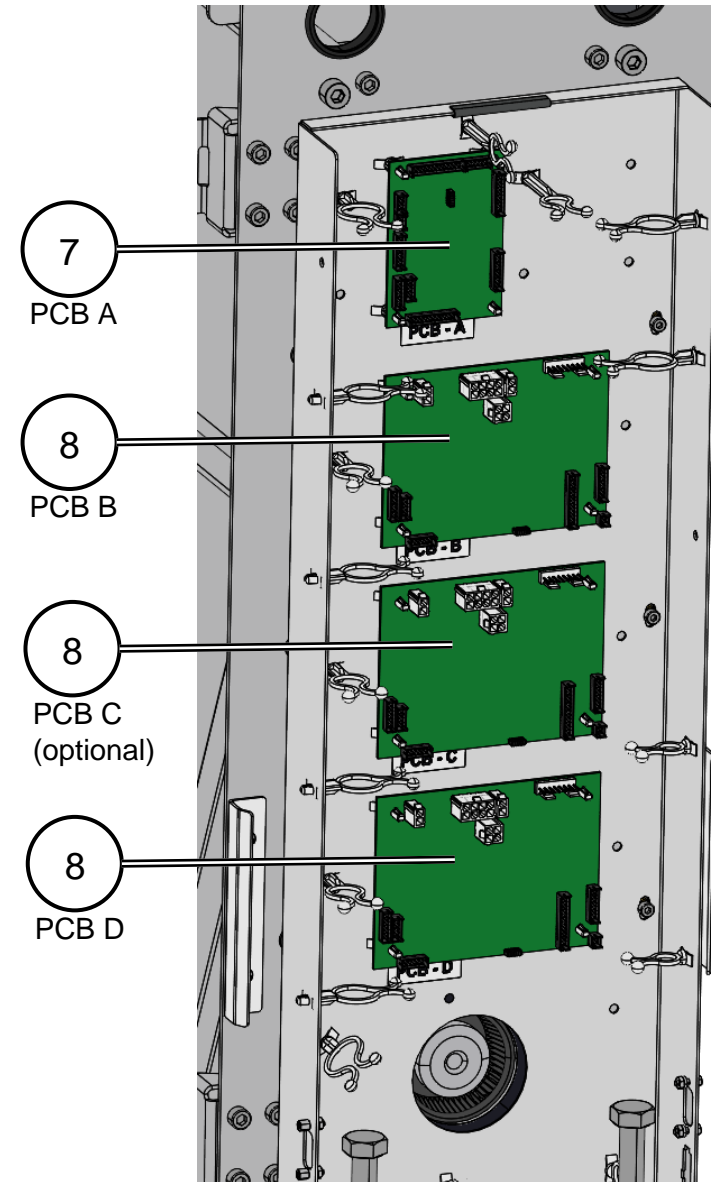
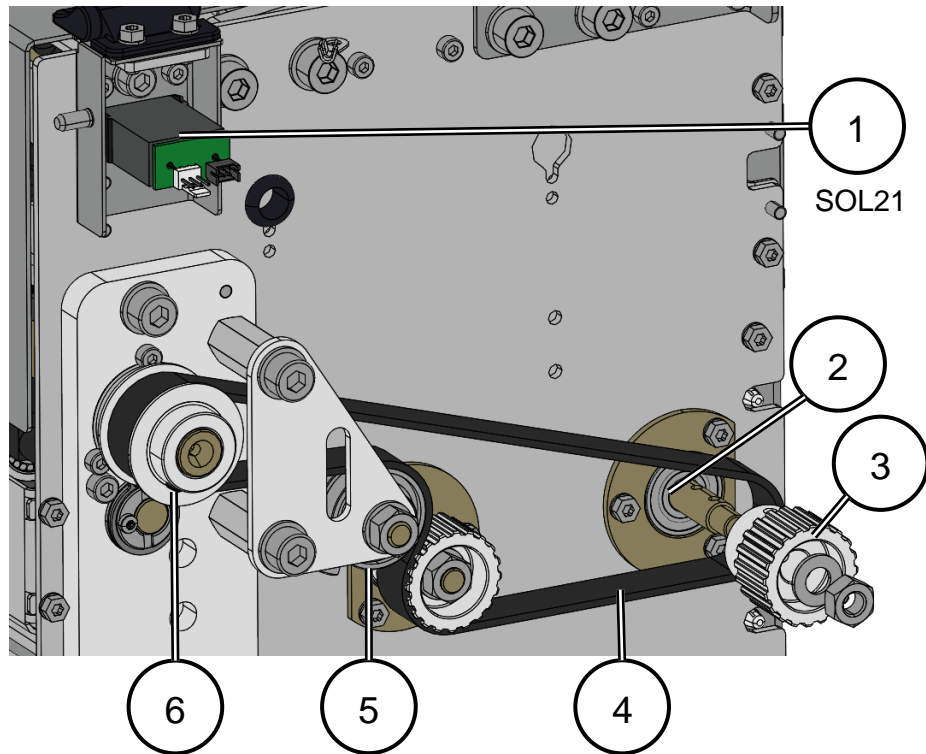
PL 15.0 Creaser – Exit Side

Item	Qty	Part No.	Description
1	1	12590009	Cooling Fan (FAN8)
2	1	96997	Exit Sensor (Q25)
3	1	129-115333	Exit Sensor Limiter
4	2	175-203-02	Timing Pulley 15XL
5	2	12990001	Motor 34HD121-37B (M21 & M22)



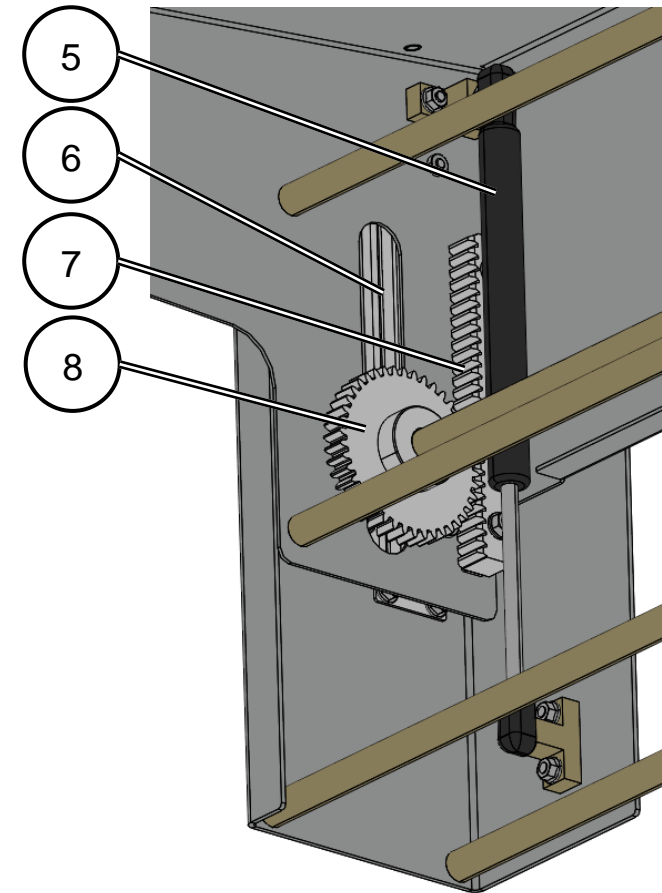
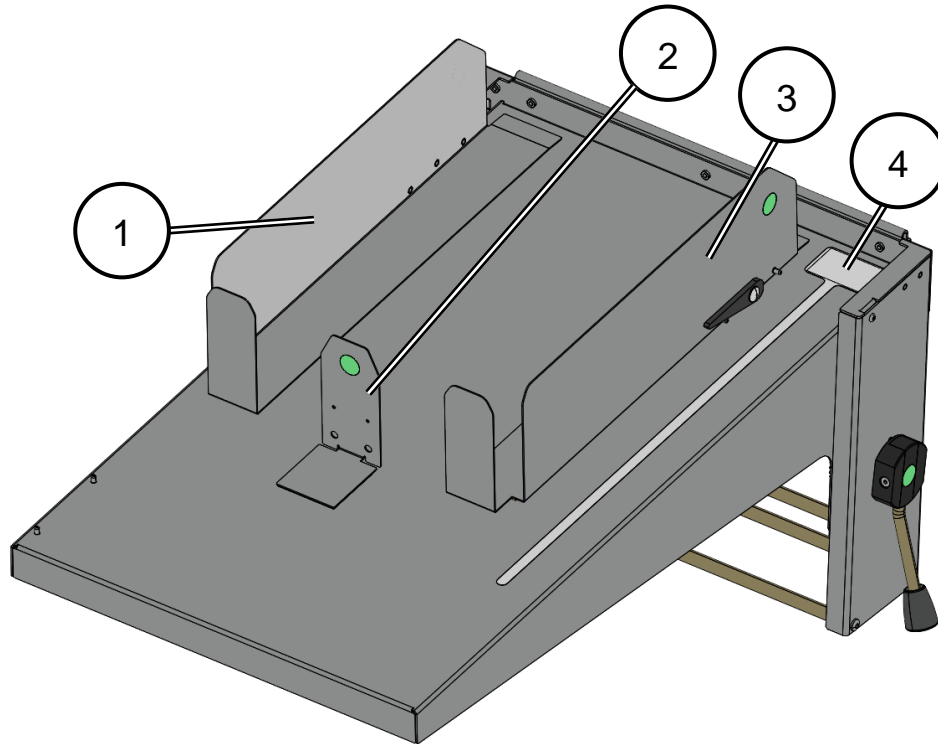
PL 16.0 Creaser – Rear Side

Item	Qty	Part No.	Description
1	1	960-108513	Counter (SOL21)
2	2	60827	Bearing 6000-2ZC3
3	2	335-112-01	Timing Pulley 20XL
4	1	607-216	Timing Belt 210XL
5	2	602-092	Bearing 61804-ZZ
6	1	335-111-01	Timing Pulley 20XL
7	1	12590004	PCB CPU APP32 (PCB A)
8	3	12590005	PCB M21H (PCB B, PCB C & PCB D)



PL 17.0 Creaser – Adjustable Stacker

Item	Qty	Part No.	Description
	1	338-01-02 – 63	Adjustable Stacker (entire assembly)
1	1	78-005-02 – 63	Paper Guide Left
2	1	78-007-03 – 63	Backstop
3	1	78-006-03 – 63	Paper Guide Right
4	1	339-14-01	Paper Guide Strip
5	2	604-122	Gas Strut
6	2	601-215	Slide
7	2	338-017-01	Rack 1.5 Mod
8	2	338-019-01	Gear 1.5 Mod 42T

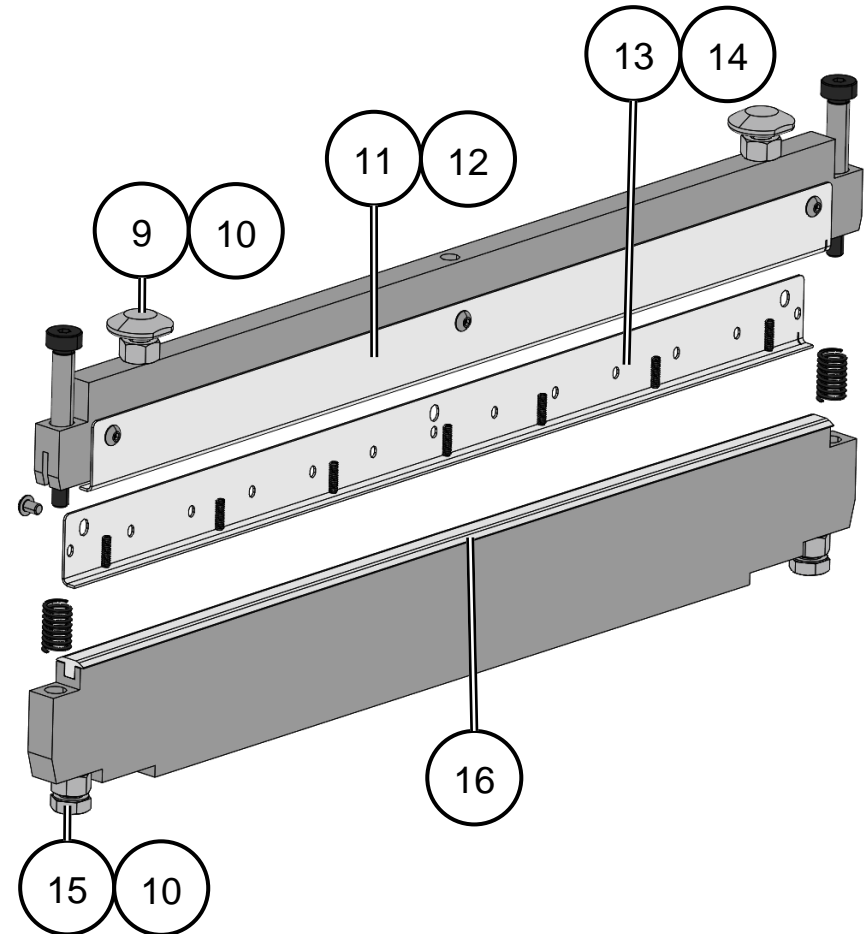
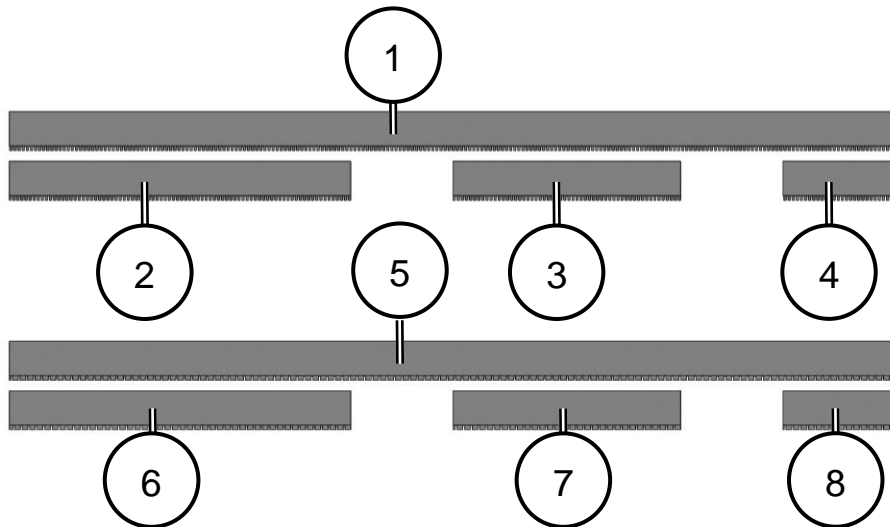


PL 18.0 Creaser – Options

Item	Qty	Part No.	Description
Upgrade kits:			
1	1	14200001	Additional Static Creaser Kit (see PL 11.0)
EasyBlade kits:			
2	1	14200002	Standard Static Creaser Blade (1.2 mm) (see PL 11.0)
3	1	14200003	Narrow Static Creaser Blade (1.0 mm) (see PL 11.0)
4	1	14200004	Extra Narrow Static Creaser Blade (0.7 mm) (see PL 11.0)
5	1	14200005	Cross-perforation Blade (7 & 14 TPI) (see PL 18.1)
Rotary tools:			
6	1	14200011	Additional Rotary Tool Carrier Kit (see PL 12.0)
7	1	1-99-10	20T Rotary Perforation Blade (5 TPI) (see PL 12.0)
8	1	1-99-12	28T Rotary Perforation Blade (7 TPI) (see PL 12.0)
9	1	1-99-13	Rotary Slitting Blade (see PL 12.0)
10	1	1-99-35	Rotary Perforation / Slitting Anvil (see PL 12.0)
11	1	1-99-41	56T Rotary Perforation Blade (14 TPI) (see PL 12.0)
12	1	1-99-42	96T Rotary Perforation Blade (24 TPI) (see PL 12.0)
13	1	6-99-05	Scorer Type A (Light Score) (see PL 12.0)
14	1	6-99-06	Scorer Type B (Heavy Score) (see PL 12.0)
15	1	6-99-07	Scorer Type C (Very Hard Materials) (see PL 12.0)
16	1	6-99-08	Scorer Type D (Pre-Fold Pencil Score) (see PL 12.0)

PL 18.1 Creaser – Cross-perforation Blade

Item	Qty	Part No.	Description
	1	14200005	Cross-perforation Blade Kit (7 & 14 TPI)
1	1	336-340-01	Perforation Blade – Fine – 390 mm
2	1	336-340-02	Perforation Blade – Fine – 150 mm
3	1	336-340-03	Perforation Blade – Fine – 100 mm
4	1	336-340-04	Perforation Blade – Fine – 50 mm
5	1	336-340-05	Perforation Blade – Coarse – 390 mm
6	1	336-340-06	Perforation Blade – Coarse – 150 mm
7	1	336-340-07	Perforation Blade – Coarse – 100 mm
8	1	336-340-08	Perforation Blade – Coarse – 50 mm
9	2	336-062-02	Pad
10	4	461-05-080	Nut M8x1.0P
11	1	143-115024	Input Ejector
12	7	604-138	Input Ejector Springs
13	1	143-115025	Output Ejector
14	7	604-139	Output Ejector Springs
15	2	415-05-080-020	Screw M8x20 1.0P
16	1	76-402-03	Perforation Anvil

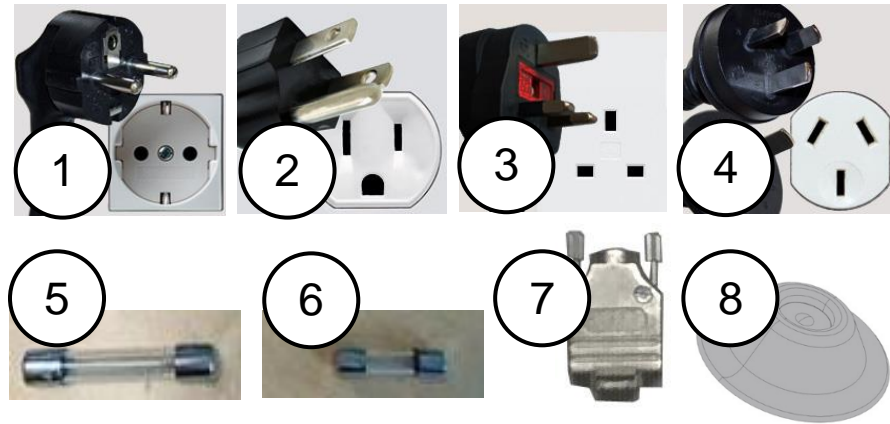


PL 19.0 Creaser - Wire Harnesses

Index	Qty	Part No.	Description	Connections / Reference Numbers
1	1	128-109947	HARNESS M-FEEDER SENSORS EXT C	Chassis Connectors (P206) Sensors (Q25)
2	2	129-109965	HARNESS BLADE SENSORS CREASER	PCB C (C,P1) (C,P3) PCB D (D,P1) (D,P3) Sensors (Q21) (Q22)
3	1	129-108815	HARNESS CREASER SENSORS	Chassis Connectors (P24) (P34) (J12) (J23) (J206) GND PCB A (A,P1) (A,P2) (A,P3) (A,P4) (A,P5) (A,P6) (A,P7) (A,P8) (A,P10) PCB B (B,P5) (B,P6) PCB C (C,P5) (C,P6) PCB D (D,P5) (D,P8) Sensor (Q20) Solenoid (SOL21) Switches (SW21,1) (SW21,2) (SW22,3) (SW22,4)
4	1	129-108816	HARNESS CREASER MOTORS	Chassis Connectors (P110) Motors (M21) (M22) (M23) PCB B (B,P7) (B,P9) PCB C (C,P7) (C,P9) PCB D (C,P7) (C,P9)
5	1	129-115833	HARNESS ICAN AC PRO XL (not required if first (optional) creaser is installed)	PCB B (B,P6) PCB D (D,P5)

Accessories

Item	Qty	Part no	Description
	1	12800014	Universal Power Cord Kit C19 (items 1-4)
1	1	18243	Power cord EUR/IEC-C19 4,4m
2	1	18225	Power cord USA/IEC-C19 4,4m
3	1	18244	Power cord UK/IEC-C19 4,4m
4	1	18245	Power cord AUS/IEC-C19 4,4m
5	1	128-110186	Fuse T12A 6.3x32 mm (for 100-140 V ac)
6	1	88557	Fuse T6.3A 5x20 mm (for 140-240 V ac)
7	1	92509	CAN termination plug
8	4/8	131-108802	Machine foot



Special Tools

Item	Qty	Part no	Description
1	2	142-115551	Multi-purpose wrench
2	1	601-185	Sensor cleaning brush
3	1	601-118	Roller cleaning brush
4	1	399-014-01	Calibration strip for ultrasonic double sheet detector (Q10)
5	1	95177	Interlock cheater
6	1	960-108436	USB to STM32F dongle
7	1	960-110000	Harness SW load adapter 16/8p

