

FORMAX[®]

Atlas C150 Automatic Programmable Creaser

Atlas C350 Automatic Programmable Creaser/Folder

Parts List

This parts catalog is organized by component location (where the part in question may be found within the machine) and component category (e.g. electronics, harnesses, accessories).

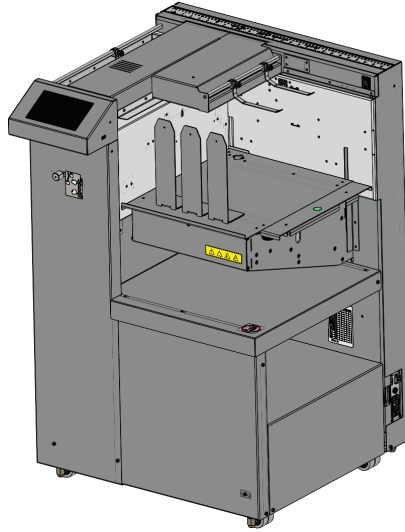
See Component Location/Category pages for more details. In each view, select components may be hidden for clarity.

CONTENTS

Feeder Component Location/Category	3
Feeder Electrical Components Index	5
Feeder Parts List	6
PL 1.0 Feeder - Exterior	6
PL 1.1 Feeder - Exterior Hardware.....	7
PL 2.0 Feeder - Top View	8
PL 2.1 Feeder - User Interface.....	9
PL 3.0 Feeder - Exit Side	10
PL 4.0 Feeder - Paper Table	11
PL 4.1 Feeder – Paper Table Extension	12
PL 5.0 Feeder – Safety Base	13
PL 6.0 Feeder – Rear Side	14
PL 6.1 Feeder – Feeding Mechanism	15
PL 6.2 Feeder – Lift Mechanism.....	16
PL 7.0 Feeder – DFA Kit.....	17
PL 8.0 Feeder - Wire Harnesses.....	18
Creaser Component Location / Category.....	20
Creaser Electrical Components Index.....	22
Creaser Parts List.....	23
PL 9.0 Creaser – Exterior.....	23
PL 9.1 Creaser – Exterior Hardware	24
PL 10.0 Creaser – Top View.....	25
PL 11.0 Creaser – Static Creasing Unit	26
PL 12.0 Creaser – Rotary Tool Carrier.....	27
PL 13.0 Creaser – Front Side	28
PL 14.0 Creaser – Entry Side	29
PL 15.0 Creaser – Exit Side	30
PL 16.0 Creaser – Rear Side.....	31
PL 17.0 Creaser – Adjustable Stacker	32
PL 18.0 Creaser – Options.....	33
PL 18.1 Creaser – Cross-perforation Blade	34
PL 19.0 Creaser - Wire Harnesses	35
Folder Component Location / Category	36
Folder Electrical Components Index	39
Folder Parts List	40
PL 20.0 Folder – Exterior	40
PL 20.1 Folder – Exterior Hardware.....	41
PL 21.0 Folder– Top View	42
PL 22.0 Folder– DynaCrease Assembly	43
PL 23.0 Folder– Front	45
PL 24.0 Folder– Entry	47
PL 25.0 Folder– Exit.....	48
PL 26.0 Folder– Rear.....	49
PL 27.0 Folder– Fold Knives	51
PL 28.0 Folder– Fold Delivery	52
PL 29.0 Folder– Crease Delivery.....	54
PL 30.0 Folder - Wire Harnesses	55
Accessories	57
Special Tools.....	58

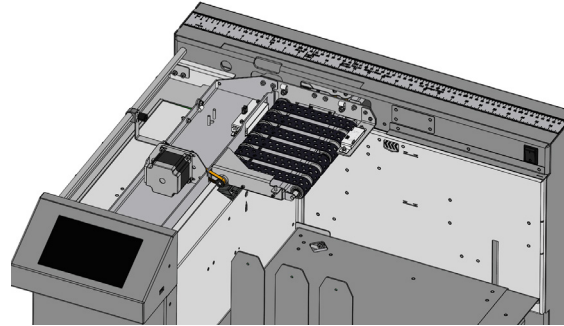
Feeder Component Location/Category

Feeder – Exterior



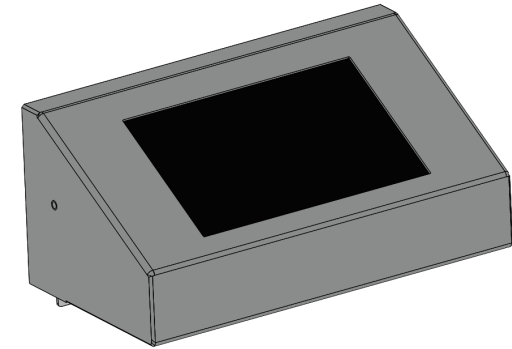
PL 1.0

Feeder – Top View



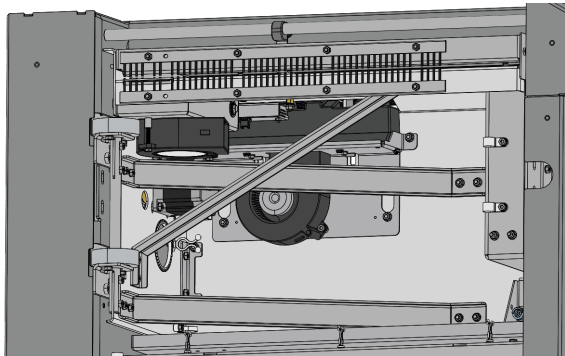
PL 2.0

Feeder – User Interface



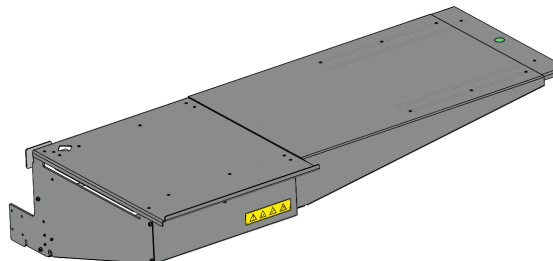
PL 2.1

Feeder – Exit Side



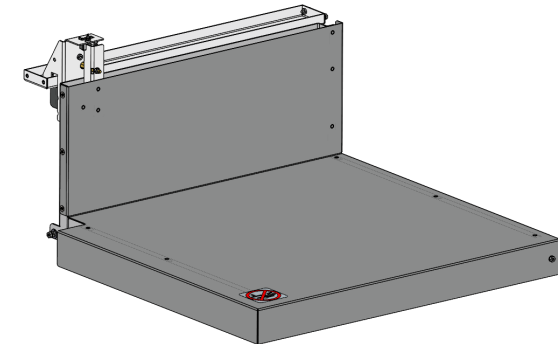
PL 3.0

Feeder – Paper Table



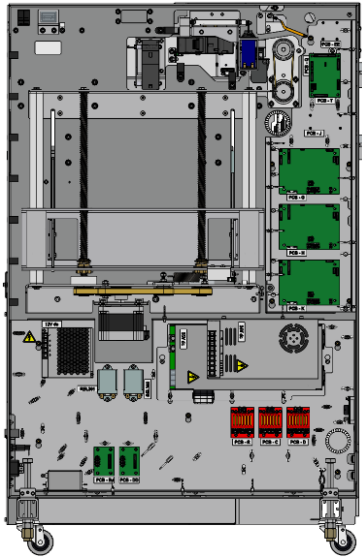
PL 4.0

Feeder – Safety Base



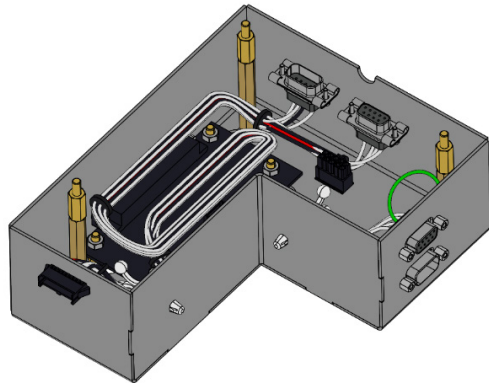
PL 5.0

Feeder – Rear Side



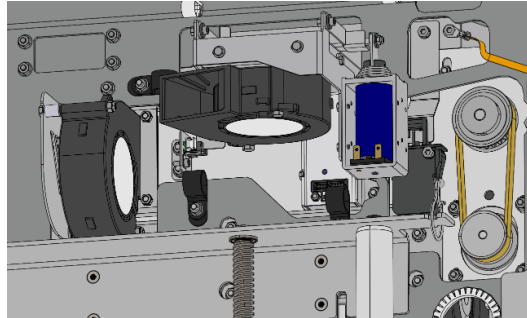
PL 6.0

Feeder – DFA Kit



PL 7.0

Feeder – Feeding Mechanism



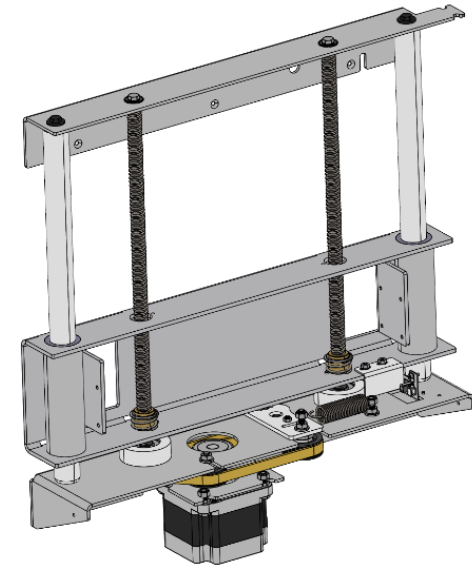
PL 6.1

Feeder – Wire Harnesses



PL 8.0

Feeder – Lift Mechanism



PL 6.2

Feeder Electrical Components Index

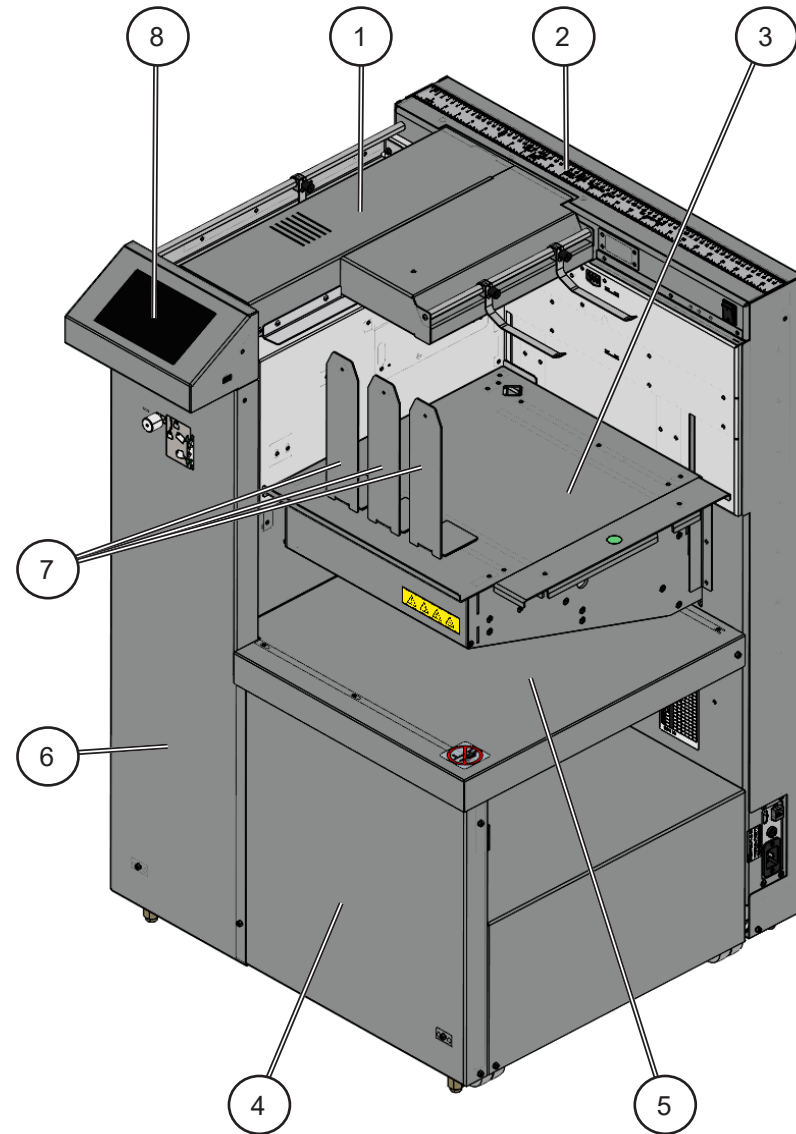
Component	Description	Page
CNT	Sheet counter	PL 6.0
FAN1	Separation fan	PL 3.0
FAN2	Float fan	PL 6.1
FAN3	Vacuum fan	PL 6.1
FAN4	Registration fan	PL 3.0
F1	Fuse	PL 6.0
M1	Lift motor	PL 6.2
M2	Vacuum belt motor	PL 2.0
M3	Registration belt motor	PL 3.0
PCB "B"	12V thermal protection / splitter PTC411215	PL 6.0
PCB "C"	55V thermal protection / splitter PTC7375	PL 6.0
PCB "D"	24V thermal protection / splitter PTC7375	PL 6.0
PCB "DD"	12V thermal protection / splitter PTC411215	PL 6.0
PCB "G"	Motor M1 driver M21H	PL 6.0
PCB "H"	Motor M2 driver M21H	PL 6.0
PCB "K"	Motor M3 driver M21H	PL 6.0
PCB "L"	24V feedback / splitter 3x10P Distribution PCB	PL 6.0
PCB "PM"	PCB Opto Printer Mode	PL 7.0
PCB "R"	55V thermal protection / splitter PTC7375	PL 6.0
PCB "T"	Main processor CPU APP32	PL 6.0
PCB "V"	User interface assembly	PL 2.1
PCB "Y"	Separated paper (SP) sensor	PL 6.1
PSU-1	12V DC power supply unit	PL 6.0
PSU-2	55V DC power supply unit	PL 6.0
PSU-3	24V DC power supply unit	PL 6.0
Q1	Lift home sensor	PL 6.2
Q2	Lift top safety sensor	PL 6.1
Q3	Table extension sensor	PL 4.0
Q4	Paper stack height sensor	PL 2.0

Component	Description	Page
Q8	Lift bottom safety sensor	PL 5.0
Q10	Ultrasonic double sheet detector	PL 2.0 & PL 3.0
Q11	Table empty sensor	PL 4.0
Q12	Separated paper (SP) sensor	PL 6.1
REL301	Relay	PL 6.0
REL302	Relay	PL 6.0
SOL1	Vacuum choke solenoid	PL 6.1
SW1	Main power switch	PL 6.0
SW2/SW4	Top interlock switch	PL 6.1
SW3/SW5	Bottom interlock switch	PL 5.0
UI	User interface assembly	PL 2.1

Feeder Parts List

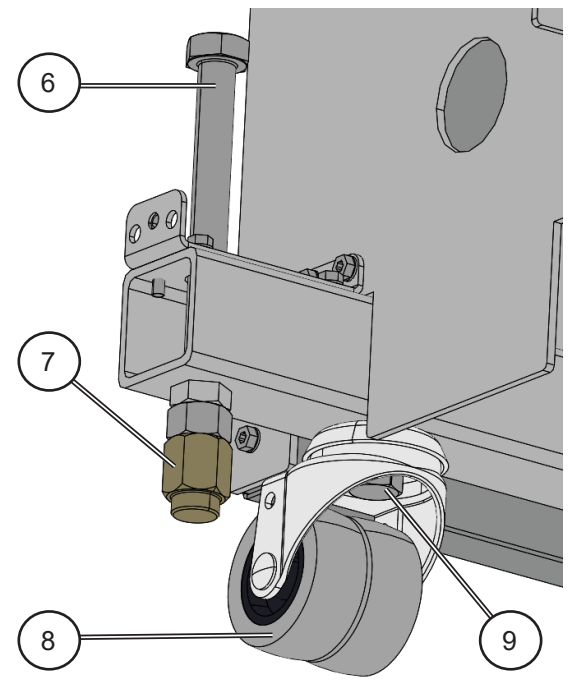
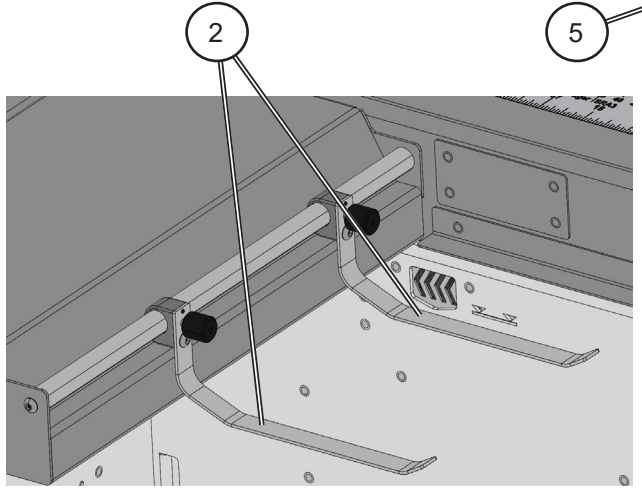
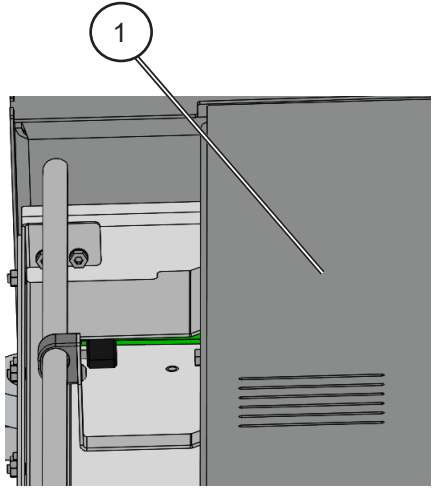
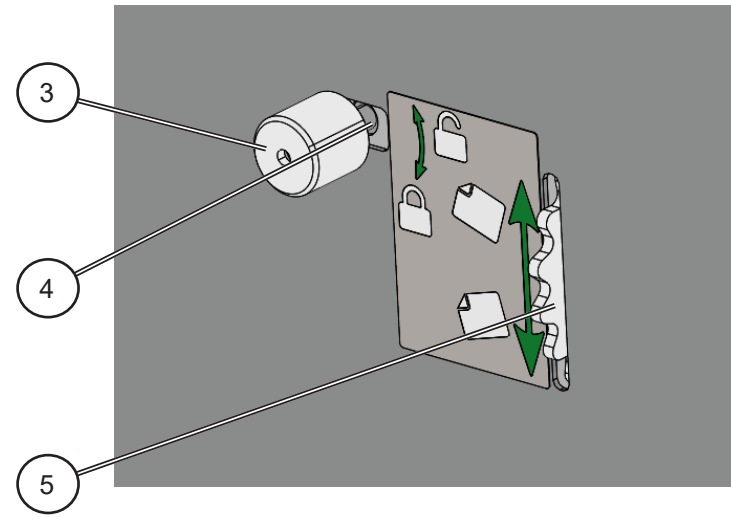
PL 1.0 Feeder - Exterior

Item	Qty	Part No.	Description
1	1	14290001	Top Cover (including paper guides)
2	1	14290014	Rear Cover
3	1	See PL 4.0	Paper Table
4	1	142-114015-63	Base Cover
5	1	See PL 5.0	Safety Base
6	1	142-114016-63	Front Cover
7	3	14290002	Magnetic Paper Guide
8	1	14290003	User Interface Module (see PL2.1)



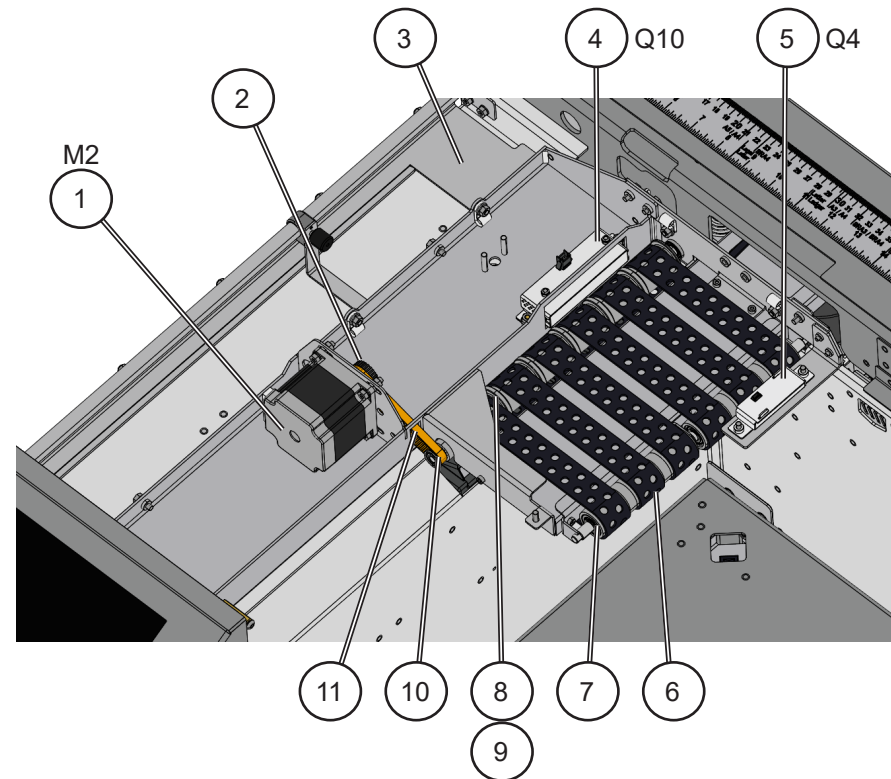
PL 1.1 Feeder - Exterior Hardware

Item	Qty	Part No.	Description
1	1	14290004	Paper Guide Assembly S (including knob)
2	2	14290005	Paper Guide Assembly L (including knob)
3	1	01-114	Locking Knob
4	1	409-01-060-035	Screw P6SS M6x35
5	1	142-113894	Adjustment Wheel
6	4	99596	Screw M6S M12x140
7	4	143-115412	Foot Adapter
8	4	26700	Caster Wheel
9	4	99150	Screw M6S M10x25



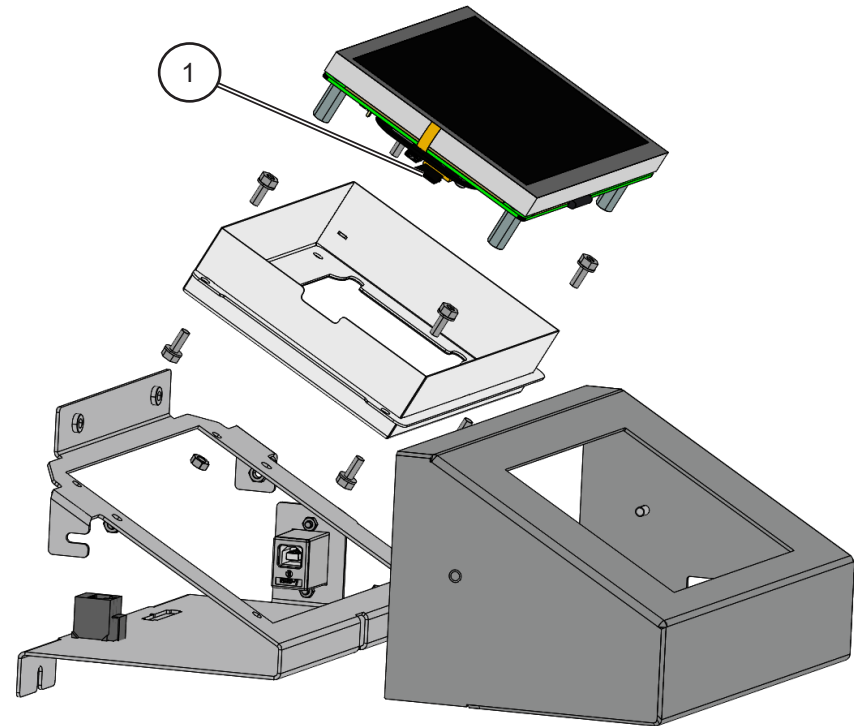
PL 2.0 Feeder - Top View

Item	Qty	Part No.	Description
1	1	14090003	Motor 23HD446 (M2)
2	1	101-102420	Timing Pulley 15T2.5/28
3	1	142-114150	Anti-Static Brush Bracket
4	1	12590015	Ultrasonic Double Sheet Sensor Pair (Q10)
5	1	14290006	Optical Distance Sensor (Q4)
6	6	18110	Vacuum Belt
7	1	14290007	Rear Vacuum Pulley (including bearings)
8	1	14290008	Front Vacuum Pulley (including bearings)
9	2	124-107503	Bearing W638/8-2ZR
10	1	328-036-01	Timing Pulley 8T2.5/16
11	1	607-222	Timing Belt 6T2.5/210



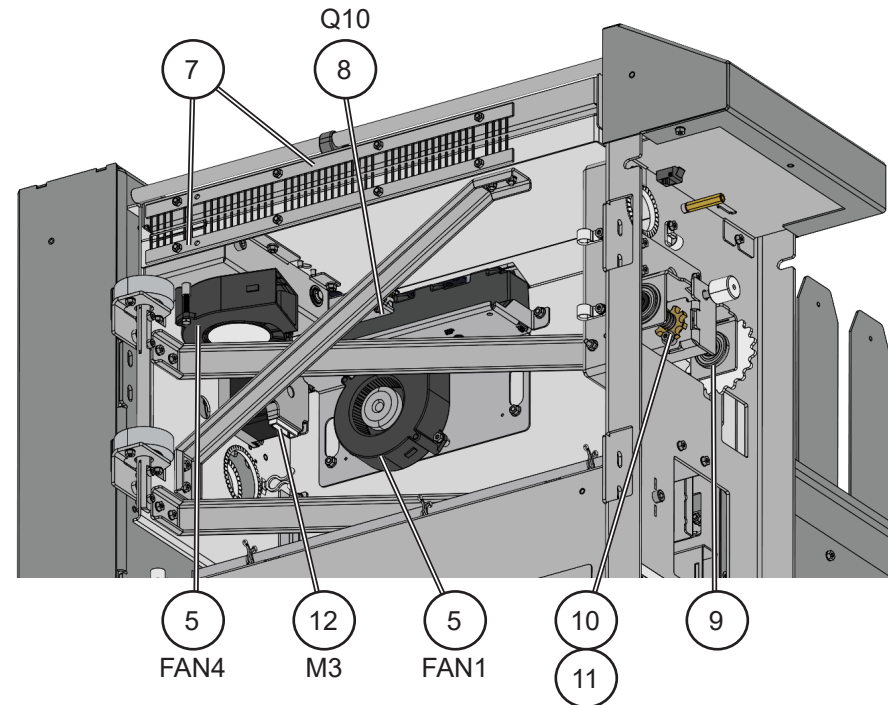
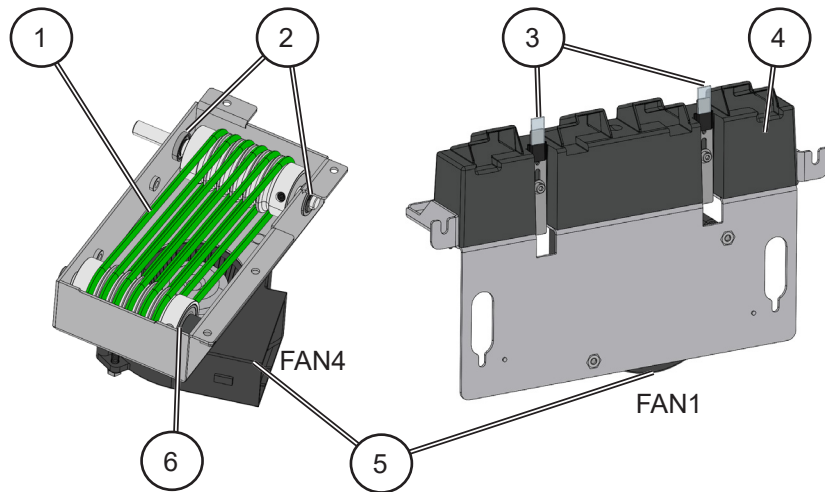
PL 2.1 Feeder - User Interface

Item	Qty	Part No.	Description
	1	14290003	User Interface (entire assembly)
1	1	960-108664	Memory Card (including operating system)



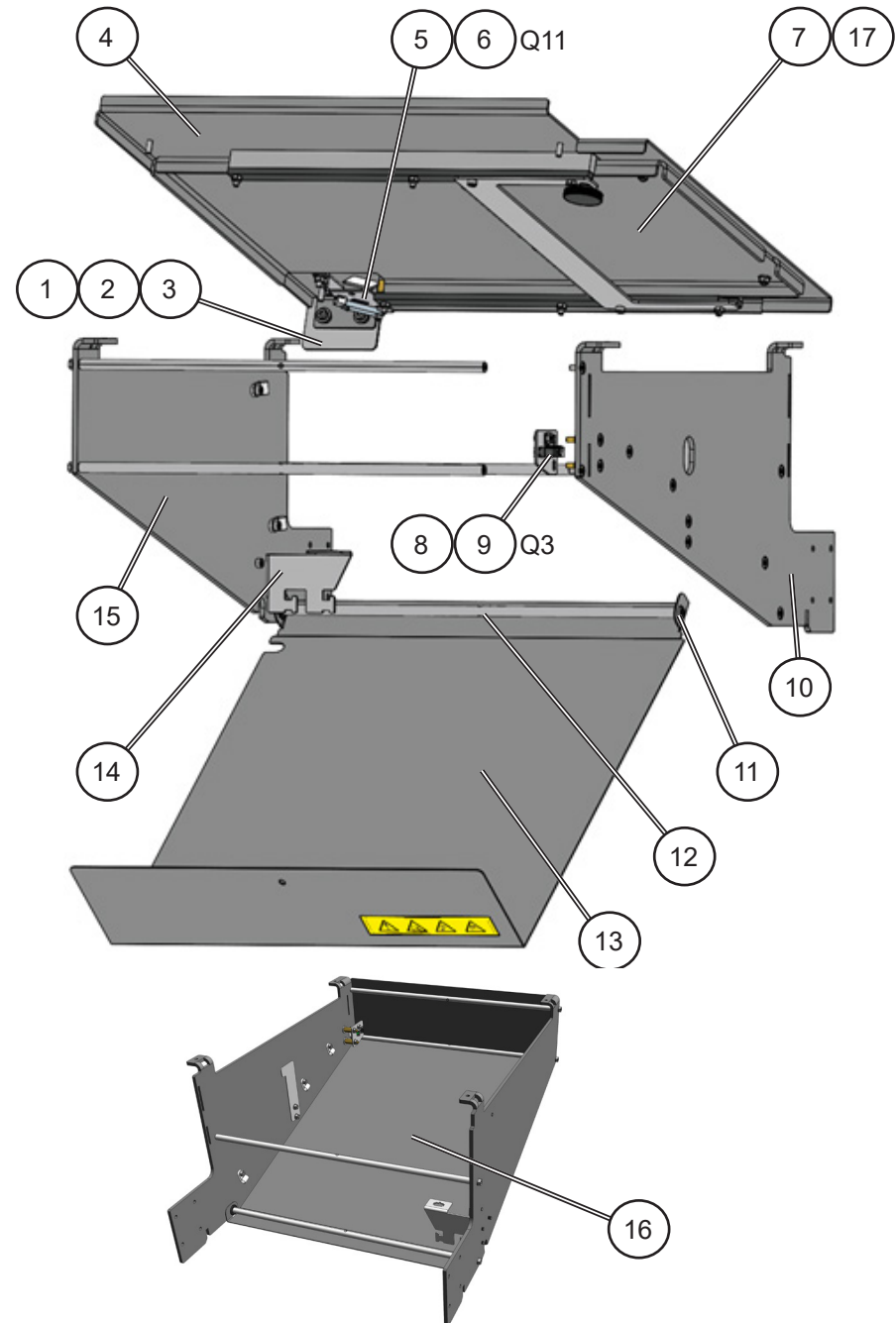
PL 3.0 Feeder - Exit Side

Item	Qty	Part No.	Description
1	6	142-113028	Round Belt Ø4 L329
2	2	124-107503	Bearing W638/8-2ZR
3	1	14290009	Separation Pads (Pair)
4	1	125-108722	Air Knife Nozzle
5	2	12590009	Blower Fan (FAN1 & FAN4)
6	2	60827	Bearing 6000-2ZC3
7	2	56677	Anti-Static Brush
8	1	12590015	Ultrasonic Double Sheet Sensor Pair (Q10)
9	2	56646	Bearing 6201-2ZNR
10	1	14290010	Trapezoidal Nut
11	1	142-113895	Leadscrew 125.5 mm
12	1	14090003	Motor 23HD446 (M3)



PL 4.0 Feeder - Paper Table

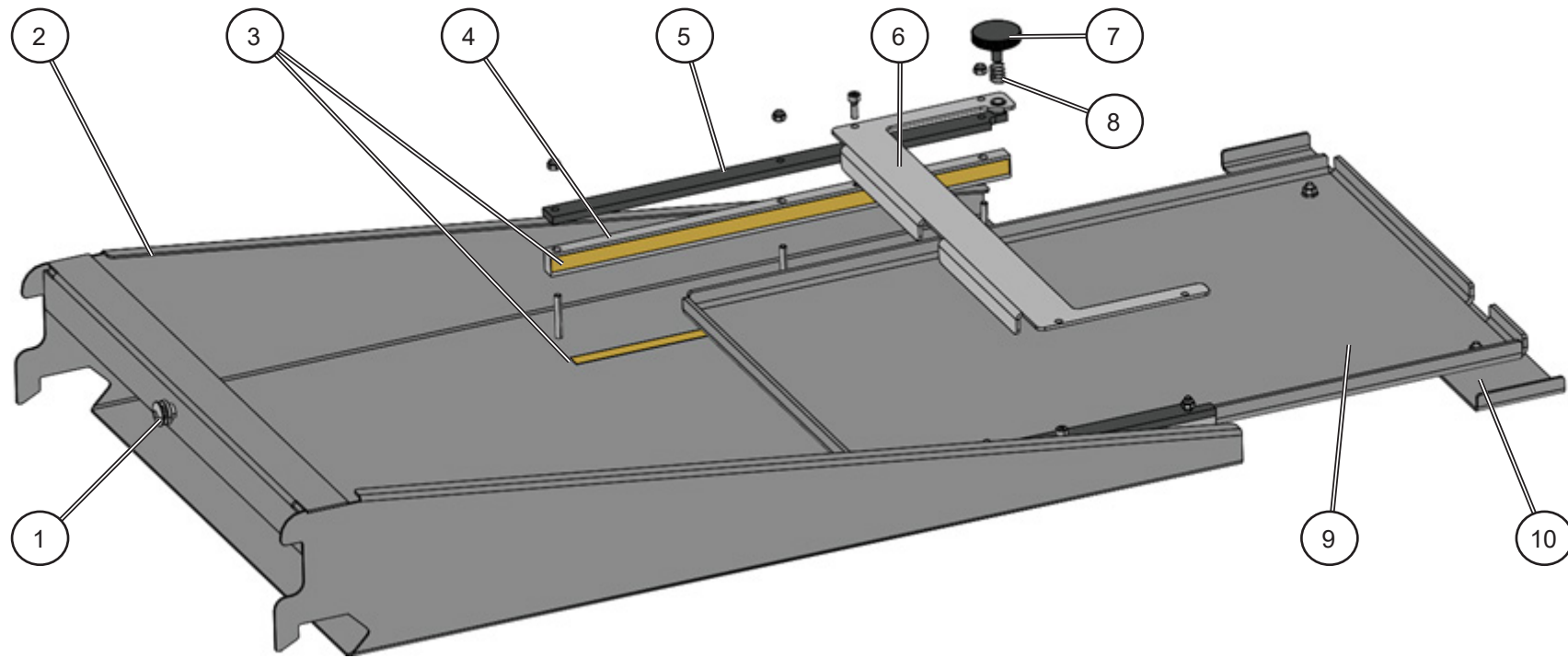
Item	Qty	Part No.	Description
1	1	142-113881	SP Sensor Cover Plate
2	2	90211	Spring
3	1	142-113878	Protective Sticker
4	1	142-113876-63	Paper Table
5	1	96997	Table Empty Sensor (Q11)
6	1	142-113873	Sensor Bracket
7	1	See items 3 – 10 in PL 4.1	Sliding Extension
8	1	101-102822	Extension Sensor (Q3)
9	1	142-114282	Sensor Bracket
10	1	142-114238	Table Fork R
11	2	26092	Grommet
12	4	142-114237	Shaft
13	1	14290015	Fork Cover
14	1	142-114240	Cable Bracket
15	1	142-114239	Table Fork L
16	1	142-114241	Fork Assembly (including harness and sensor Q3)
17	1	142-113880	Table Assembly (includes items 1 to 7)
	1	142-114134	HARNESS M-LITE FE TABLE SENS



PL 4.1 Feeder – Paper Table Extension

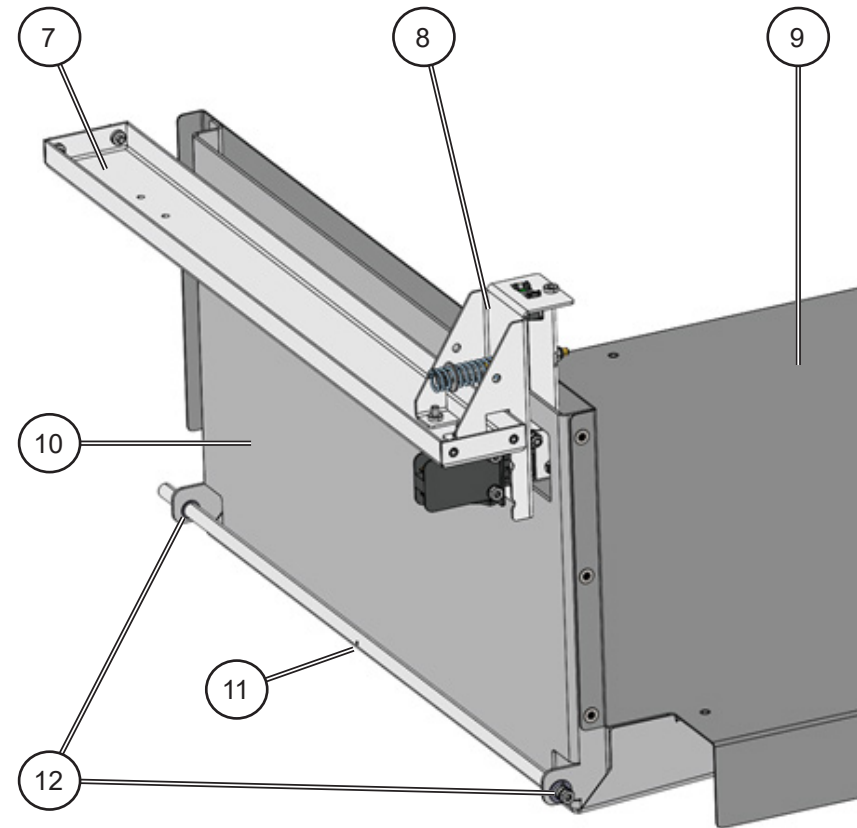
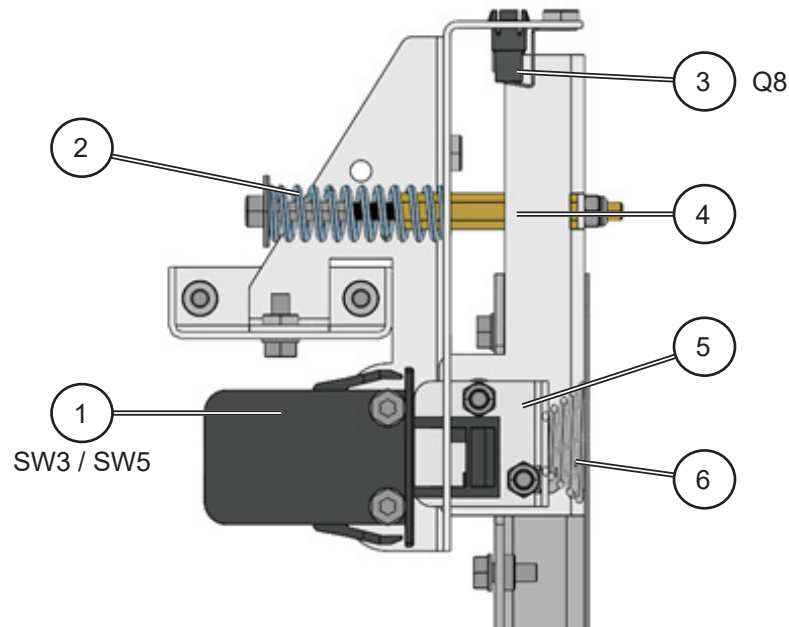
Item	Qty	Part No.	Description
	1	142-114177	Table Extension (entire assembly)
1	1	102-104350	Earthing Stud
2	1	142-114180-63	Table Extension Frame
3	1.3m	80801	Teflon Tape
4	2	142-113871	Table Stiffener
5	2	142-113872	Slide Bar

Item	Qty	Part No.	Description
6	1	142-113874	Table End Stop
7	1	47199	Knob
8	1	604-029	Spring
9	1	142-113875-63	Sliding Table Extension
10	1	14290016	Paper Support



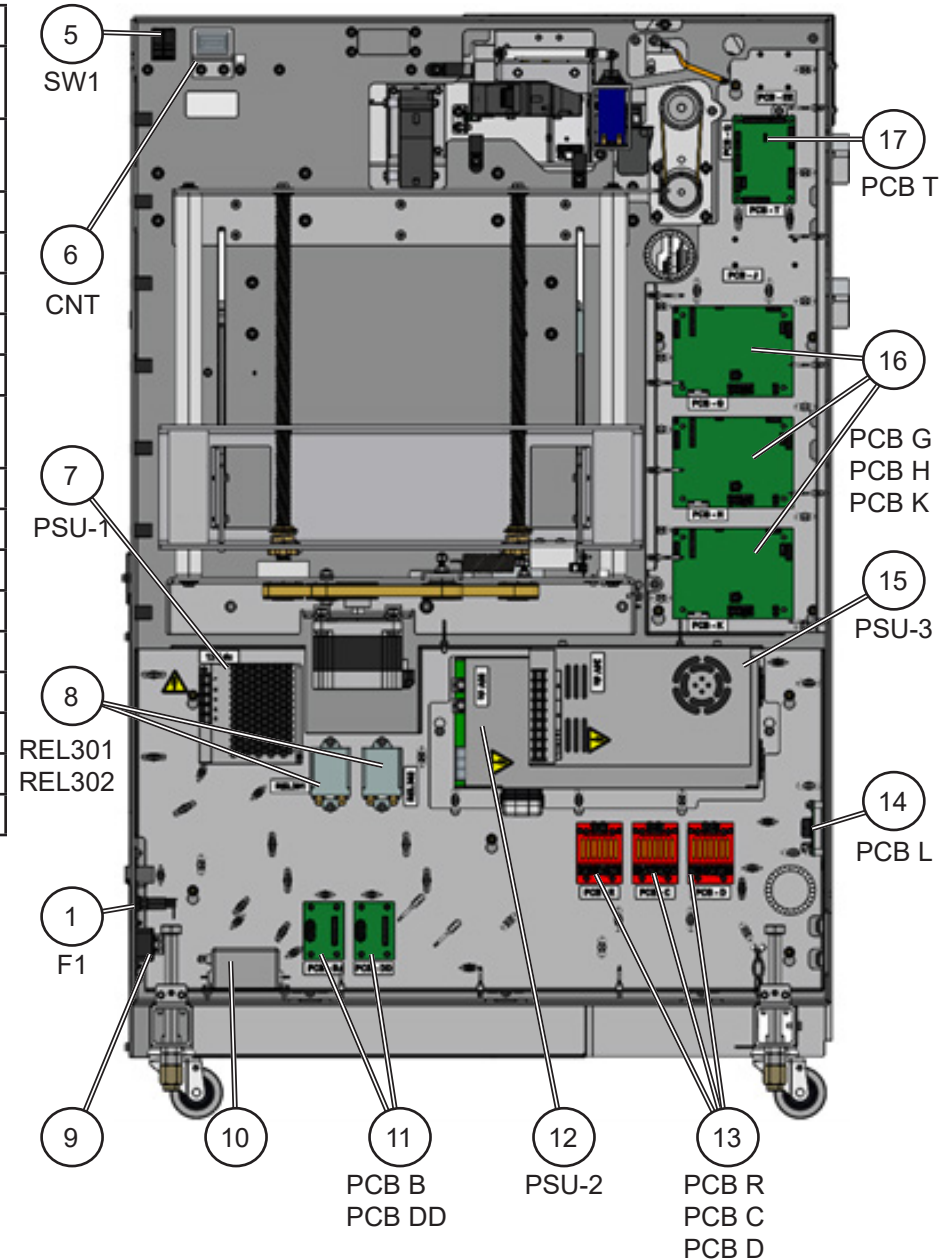
PL 5.0 Feeder – Safety Base

Item	Qty	Part No.	Description
1	1	122-105331	Interlock Switch (SW3 / SW5)
2	1	75301	Spring
3	1	101-102822	Bottom Safety Sensor (Q8)
4	1	142-113879	Safety Sensor Flag
5	1	142-115278	Safety Sensor Flag
6	1	125-109215	Conical Spring
7	1	125-107768	Bracket
8	1	142-113882	Sensor Bracket
9	1	14290029	Safety Base Cover
10	1	142-115277	Safety Base Stiffener
11	1	122-105177	Shaft
12	2	76037	Clip Bearing



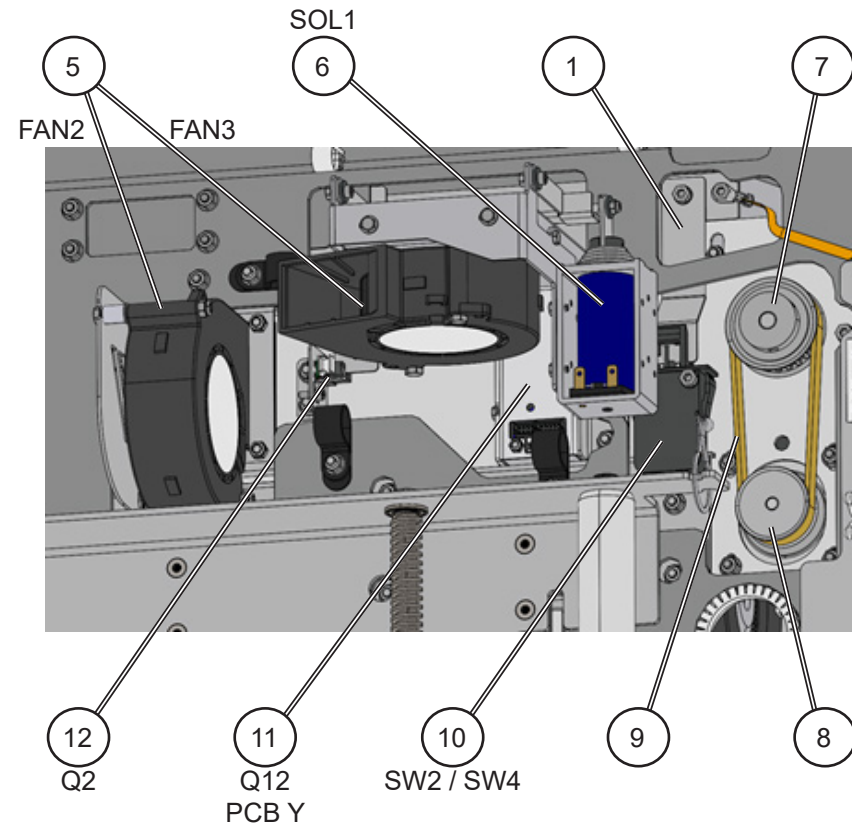
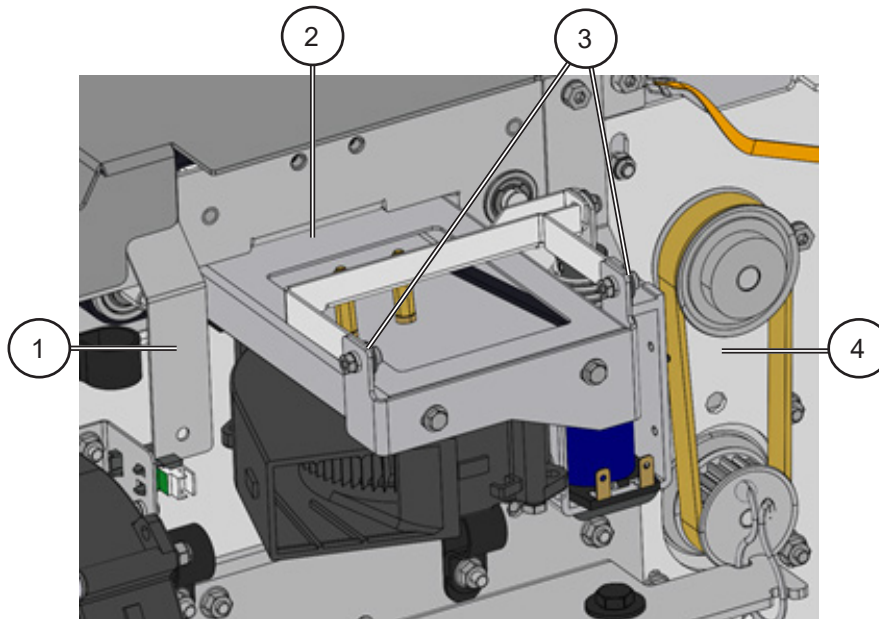
PL 6.0 Feeder – Rear Side

Item	Qty	Part No.	Description
1	1	96833	Fuse Holder (including Fuse Holder Knob 5x20 mm (for 140-240 V ac)) (F1)
2	1	128-110087	Fuse Holder Knob 6.3x32 mm (for 100-140 V ac)
3	1	128-110186	Fuse T12A 6.3x32 mm (for 100-140 V ac)
4	1	88557	Fuse T6.3A 5x20 mm (for 140-240 V ac)
5	1	60976	Power Switch (SW1)
6	1	960-108513	Counter (CNT)
7	1	960-109882	Power Supply 12 V 75 W (PSU-1)
8	2	172057	Relay 3mm DPNO 16A/250V 12VDC (REL301 & REL302)
9	1	18247	Power Inlet C20 20A
10	1	128-110085	Filter 16A
11	2	12590006	PCB PTC411 (PCB B & PCB DD)
12	1	14290013	Power Supply 55V 1000 W (PSU-2)
13	3	14290012	PCB PTC 7375 (PCB R, PCB C & PCB D)
14	1	12590007	PCB 2x10P Commoning Block (PCB L)
15	1	960-112598	Power Supply 24 V 320 W (PSU-3)
16	3	12590005	PCB M21H (PCB G, PCB H & PCB K)
17	1	12590004	PCB CPU APP 32 (PCB T)



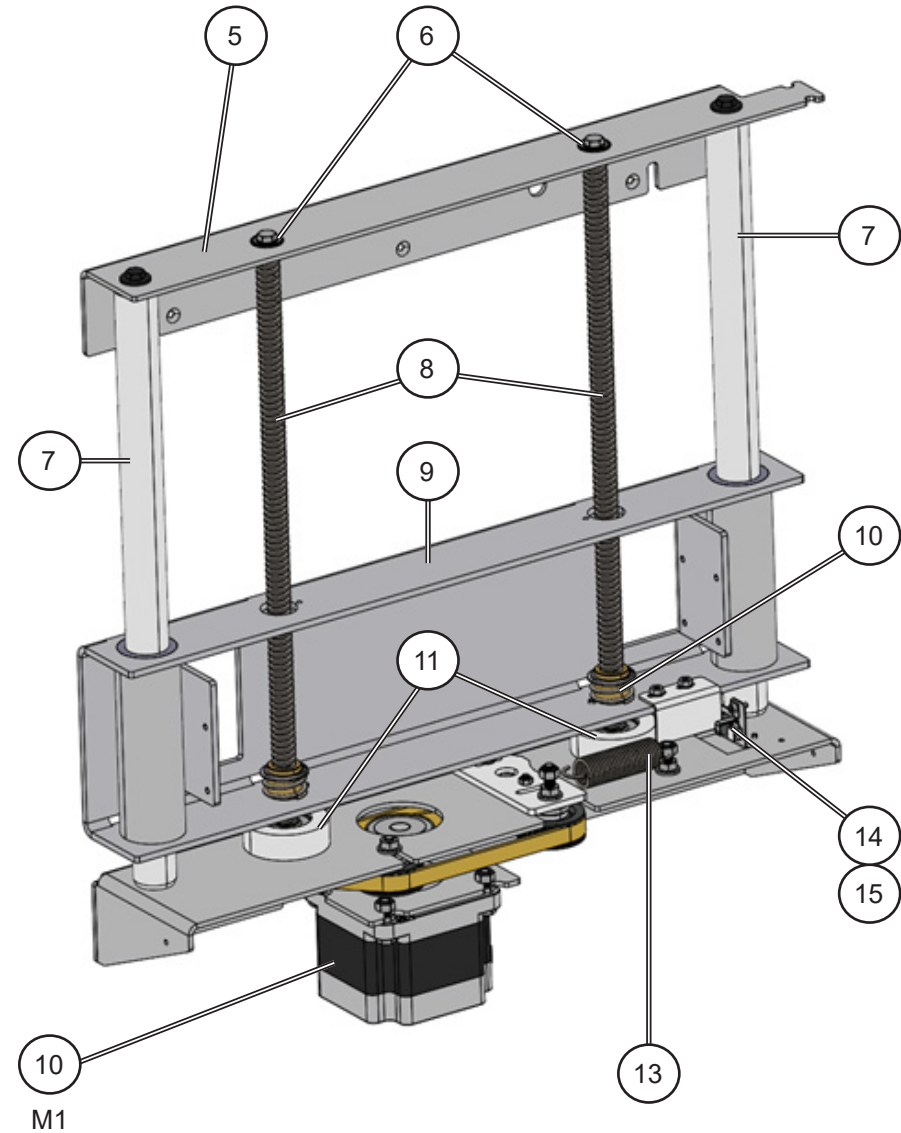
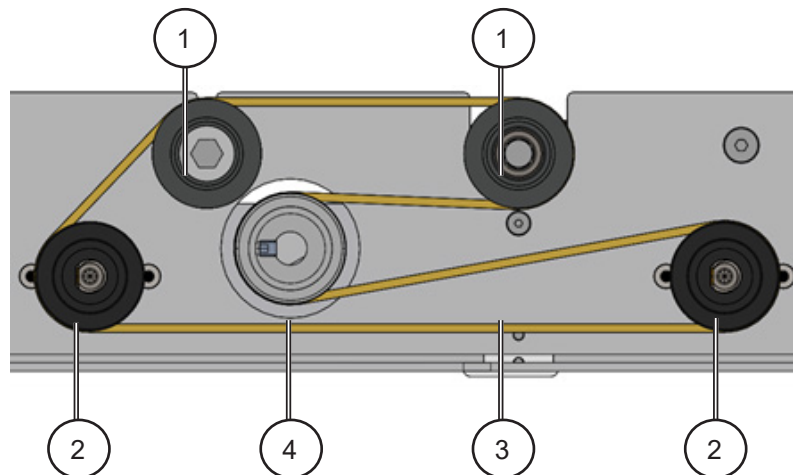
PL 6.1 Feeder – Feeding Mechanism

Item	Qty	Part No.	Description
1	2	142-114161	Sensor Flag
2	1	125-108713	Vacuum Valve Arm
3	2	125-109288	Bushing
4	2	125-108417	Vacuum Gasket
5	2	12590009	Blower Fan (FAN2 & FAN3)
6	1	12590021	Solenoid (including link arm) (SOL1)
7	1	106-106674	Timing Pulley 21T5/24
8	1	137-112213	Timing Pulley 21T5/19
9	1	140-111466	Timing Belt 10T5/270
10	1	122-105331	Interlock Switch (SW3 / SW5)
11	1	12590031	SP Sensor (Q12 / PCB Y)
12	1	101-102822	Top Safety Sensor (Q2)



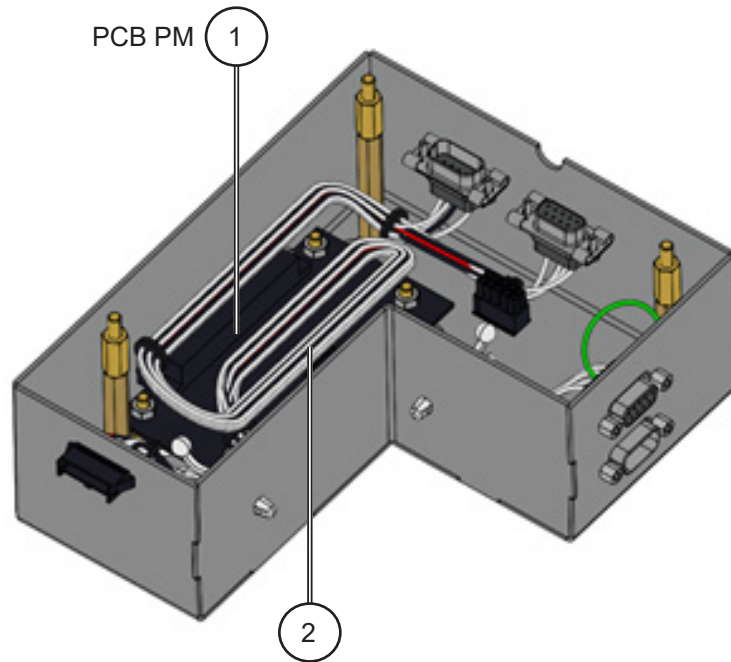
PL 6.2 Feeder – Lift Mechanism

Item	Qty	Part No.	Description
	1	142-113870	Lift Mechanism (entire assembly)
1	2	106-101259	Timing Pulley T5/24
2	2	12290011	Timing Pulley T5/24
3	1	53980	Timing Belt 10T5/880
4	1	122-107326	Timing Pulley T5/24
5	1	142-113867	Lift Bracket Top
6	2	21533	Bearing 626-2Z
7	2	142-113869	Shaft Ø25
8	2	125-107703	Leadscrew
9	1	142-113866	Lift Carriage (including linear bearings)
10	2	14290010	Trapezoidal Nut
11	2	12590025	Bearing 2201E2RS1 (including housing)
12	1	14290011	Motor 34HD612 (M1)
13	1	106-101959	Spring
14	1	101-102822	Lift Home Sensor (Q1)
15	1	142-113868	Sensor Bracket



PL 7.0 Feeder – DFA Kit

Item	Qty	Part No.	Description
	1	125-113540	DFA Kit (entire assembly)
1	1	960-113365	PCB Opto Printer Mode (PCB PM)
2	1	125-113611	HARNESS VF COMMUNICATION BOX



Intentionally blank.

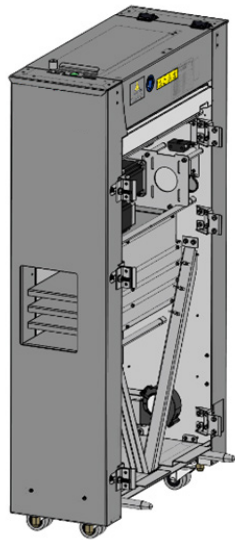
PL 8.0 Feeder - Wire Harnesses

Item	Qty	Part No.	Description	Connections / Reference Numbers
1	1	142-114131	HARNESS M-LITE FE SENSOR MAIN	Chassis Connectors (J2) (J216) (J308) Fans (FAN1) (FAN2) (FAN3) (FAN4) (FAN7) (FAN8) PCB D (D,P2) (D,P4) PCB EE (EE,P1) (EE,P2) (EE,P3) (EE,P4) PCB G (G,P3) PCB H (H,P8) PCB J (J,P2) PCB L (L,P2) (L,P3) PCB Q (Q,P26) PCB T (T,P1) (T,P2) (T,P3) (T,P4) Sensors (Q1) (Q2) (Q4) (Q7LED) (Q7PHT) (Q8) (Q10R) (Q10T) Solenoids (CNT) (SOL1) Switches (SW4,3) (SW4,4) (SW5,3) (SW5,4)
2	1	142-114132	HARNESS M-LITE FE MOTOR MAIN	Motors (M1) (M2) PCB C (C,P2) PCB G (G,P7) (G,P9) PCB H (H,P7) (H,P9) PCB K (K,P9)
3	1	142-114134	HARNESS M-LITE FE TABLE SENS	Chassis Connector (P1) Sensors (Q3) (Q11)
4	1	142-114135	HARNESS M-LITE FE TABLE FLEX	Chassis Connectors (J1) (P1)
5	1	142-114392	HARNESS M-LITE FEEDER 24V 55V	PCB C (C,P1) (C,P3) PCB D (D,P1) PCB R (R,P1) (R,P3) Power supply PSU-2 (55V out) Power supply PSU-3 (24V out)
6	1	137-112633	HARNESS PRIMARY PSU 280mm	Power supply PSU-3 (AC in) Relay REL302 (14) (34)
7	1	133-113013	HARNESS IL TO 26V PSU	Power supply PSU-2 (AC in) Relay REL301 (14) (34)
8	2	137-112647	HARNESS 12V PSU 330mm	PCB B (B,P1) PCB DD (DD,P1) Power supply PSU-1 (12V out)

Item	Qty	Part No.	Description	Connections / Reference Numbers
9	1	131-109699	HARNESS PSU RELAY COILS HCI	Chassis Connector (J316) Relay REL301 (A1) (A2) Relay REL302 (A1) (A2)
10	1	128-115544	HARNESS M-FEEDER PRIM. 3-P MNL	Chassis Connector (J27) Filter (L) (N) Power supply PSU-1 (AC in) Relay REL301 (11) (31) Relay REL302 (11) (31) Switch SW1 (1) (2) (4) (5)
11	1	128-109214	HARNESS M-FEEDER PRIMARY INLET	Filter (L) (N) Fuse (F1) GND Inlet
12	1	142-114393	HARNESS M-LITE FEEDER 55V MNL	Chassis Connector (J110) PCB R (R,P2) (R,P4)
13	1	142-114652	HARNESS M-LITE FEEDER IXCAN	Chassis Connectors (J23) (J307) (P12) (P316) (P351) PCB B (B,P2) PCB DD (DD,P2) PCB G (G,P5) (G,P6) PCB H (H,P5) (H,P6) PCB J (J,P1) PCB K (K,P5) (K,P6) PCB T (T,P5) (T,P6) (T,P7) (T,P8) (T,P10) PCB Y (Y,P1) Switches (SW2,1) (SW2,2) (SW3,1) (SW3,2)
14	1	102-108433	CABLE RJ45 SHIELDED 2M	Inlet UI
15	1	102-108432	HARNESS COLOUR UI 5050	Chassis Connector (J351) PCB V (V,P6) (V,P7)
16	1	960-108538	CABLE RJ45 0,31M	UI
17	1	960-108361	USB 2.0 CABLE 0.5M A-MALE B-MALE	UI
18	1	125-113611	HARNESS VF COMMUNICATION BOX (optional)	Chassis Connectors (J23PM) (J24PM) (J72PM) (P23UI) (P24PM) (P307PM) PCB PM (PM,P6)

Creaser Component Location / Category

Creaser – Exterior



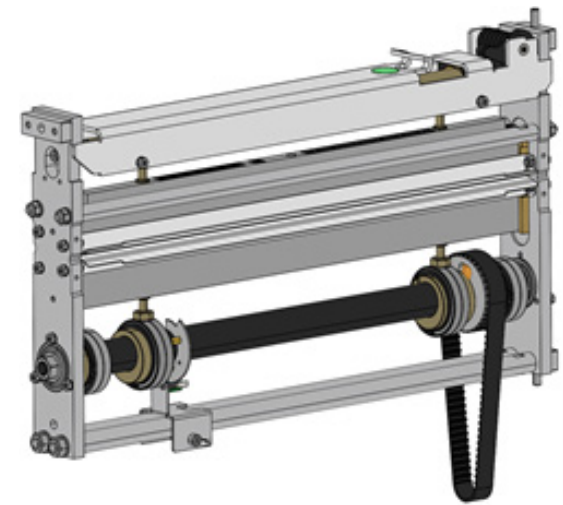
PL 9.0

Creaser – Top View



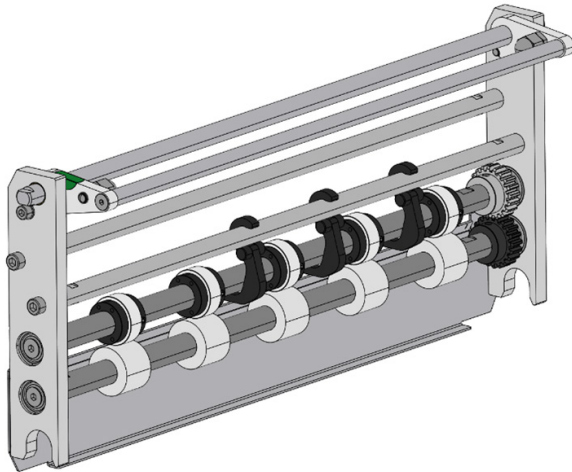
PL 10.0

Creaser – Static Creasing Unit



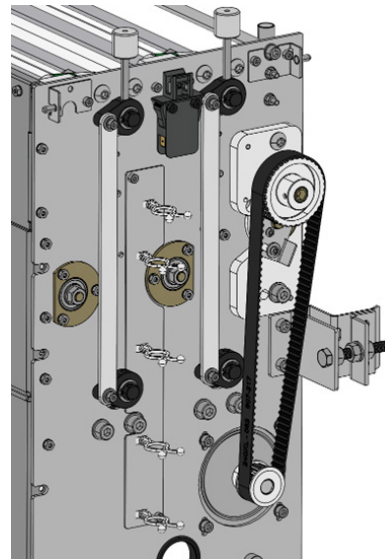
PL 11.0

Creaser – Rotary Tool Carrier



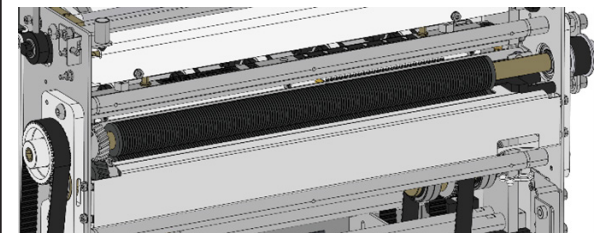
PL 12.0

Creaser – Front Side



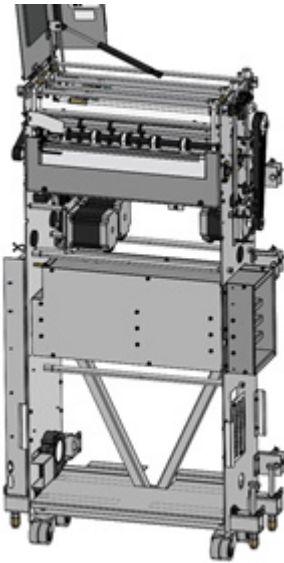
PL 13.0

Creaser – Entry Side



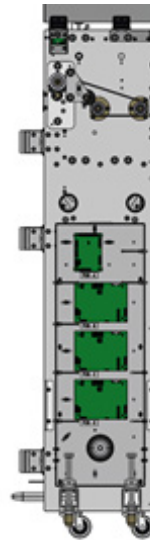
PL 14.0

Creaser – Exit Side



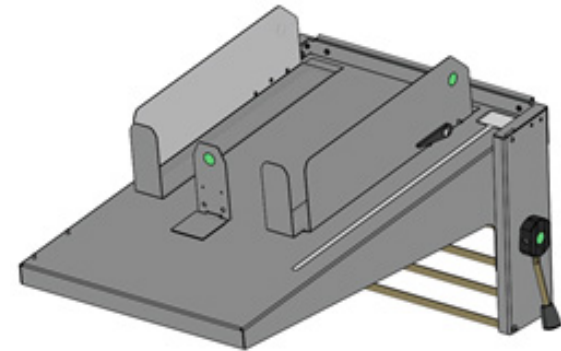
PL 15.0

Creaser – Rear Side



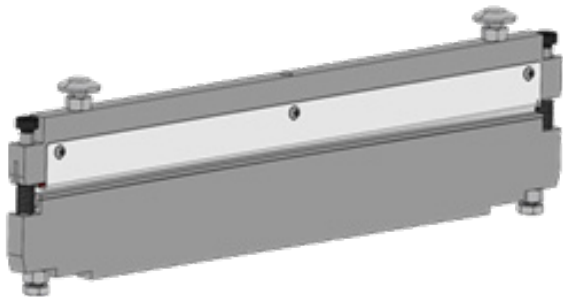
PL 16.0

Creaser – Adjustable Stacker



PL 17.0

Creaser – Options



PL 18.0

Creaser - Wire Harnesses



PL 19.0

Creaser Electrical Components Index

Component	Description	Page
FAN8	Cooling fan	PL 15.0
M21	Roller drive motor	PL 13.0
M22 (optional)	Creaser 1 drive motor	PL 15.0
M23	Creaser 2 drive motor	PL 15.0
PCB "A"	Main processor CPU APP32	PL 16.0
PCB "B"	Motor M21 driver M21H	PL 16.0
PCB "C" (optional)	Motor M22 driver M21H	PL 16.0
PCB "D"	Motor M33 driver M21H	PL 16.0
Q20	Input sensor	PL 14.0
Q21 (optional)	Creaser 1 home sensor	PL 11.0
Q22	Creaser 2 home sensor	PL 11.0
Q25	Exit sensor	PL 15.0
SOL21	Sheet counter	PL 16.0
SW21/SW22	Cover interlock switch	PL 13.0

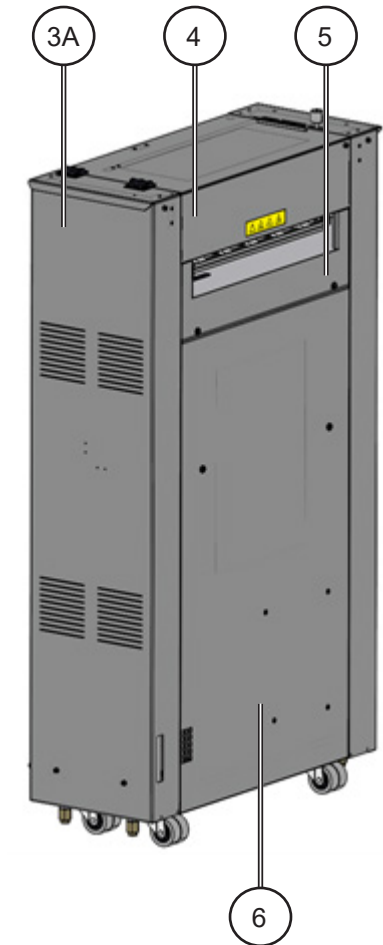
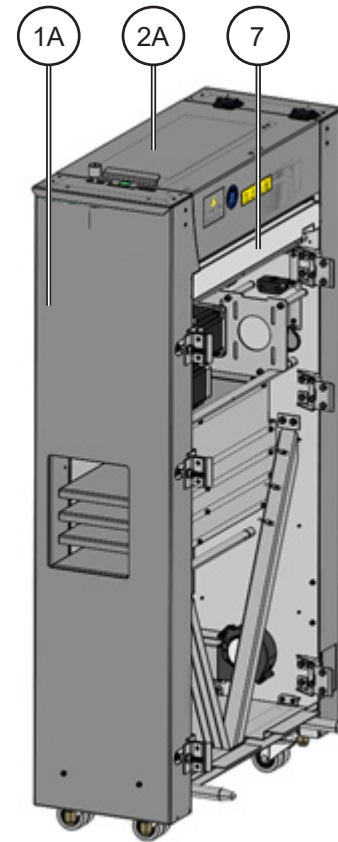
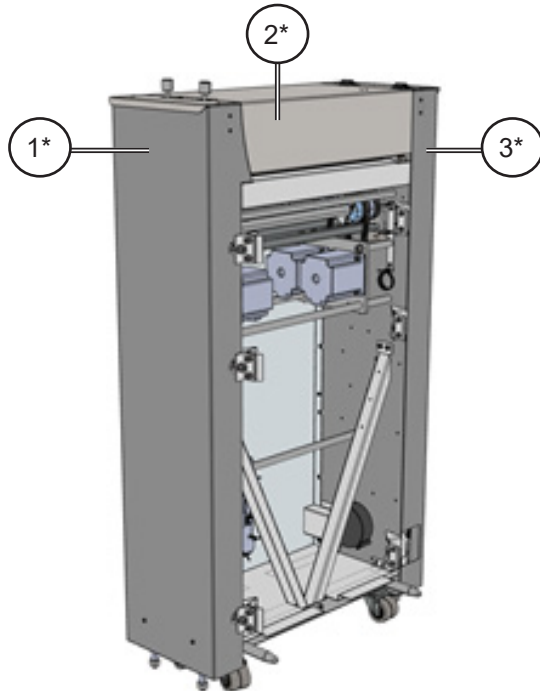
Intentionally blank.

Creaser Parts List

PL 9.0 Creaser – Exterior

Item	Qty	Part No.	Description
1*	1	14290017	Front Cover (without shelf cutout)*
1A	1	14290018	Front Cover (with shelf cutout)
2*	1	14290019	Top Cover*
2A	1	14290020	Top Cover
3*	1	333-031-02-63	Rear Cover*
3A	1	129-115625-63	Rear Cover
4	1	14290021	Upper Exit Cover
5	1	332-028-01-63	Stacker Brace
6	1	14290022	Lower Exit Cover
7	1	129-115268	Entry Guard

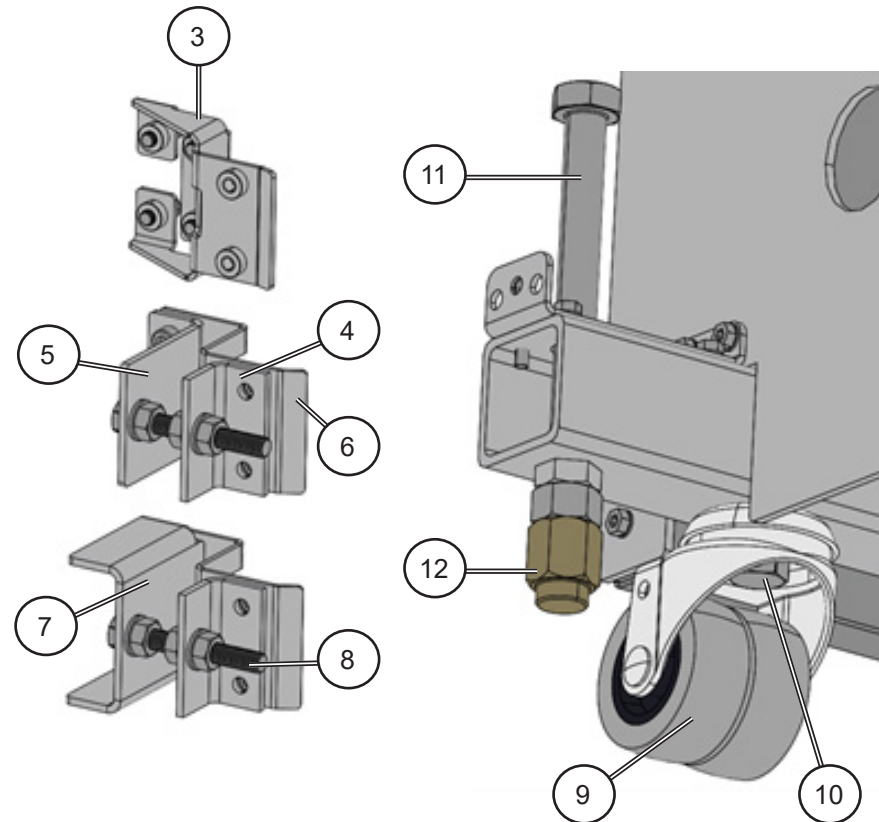
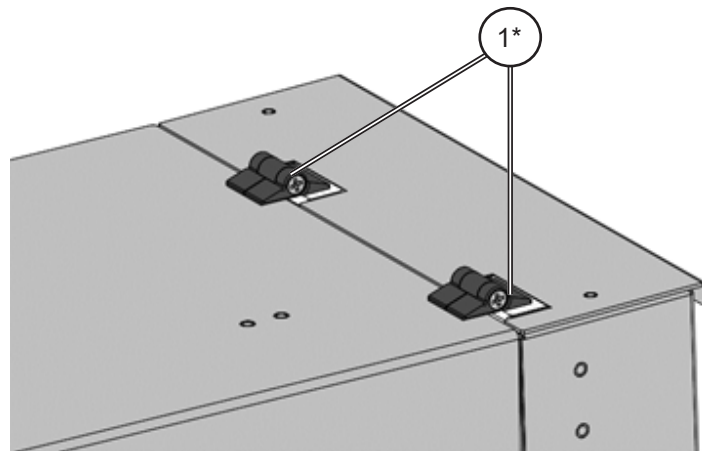
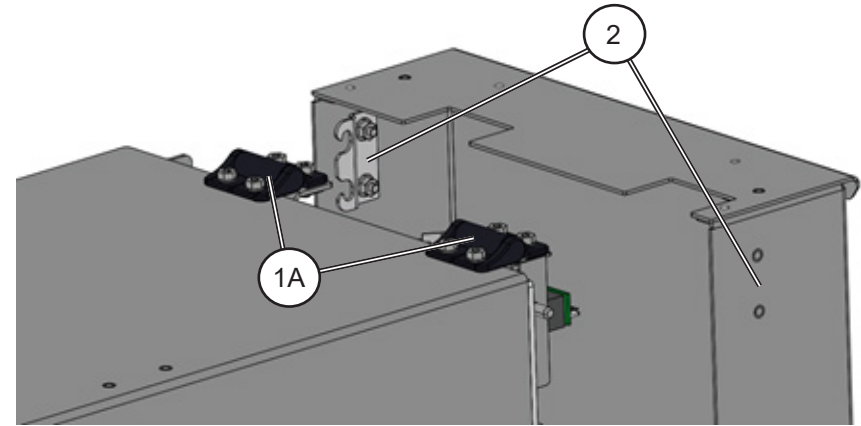
*For machines with serial number L142B00013 and below.



PL 9.1 Creaser – Exterior Hardware

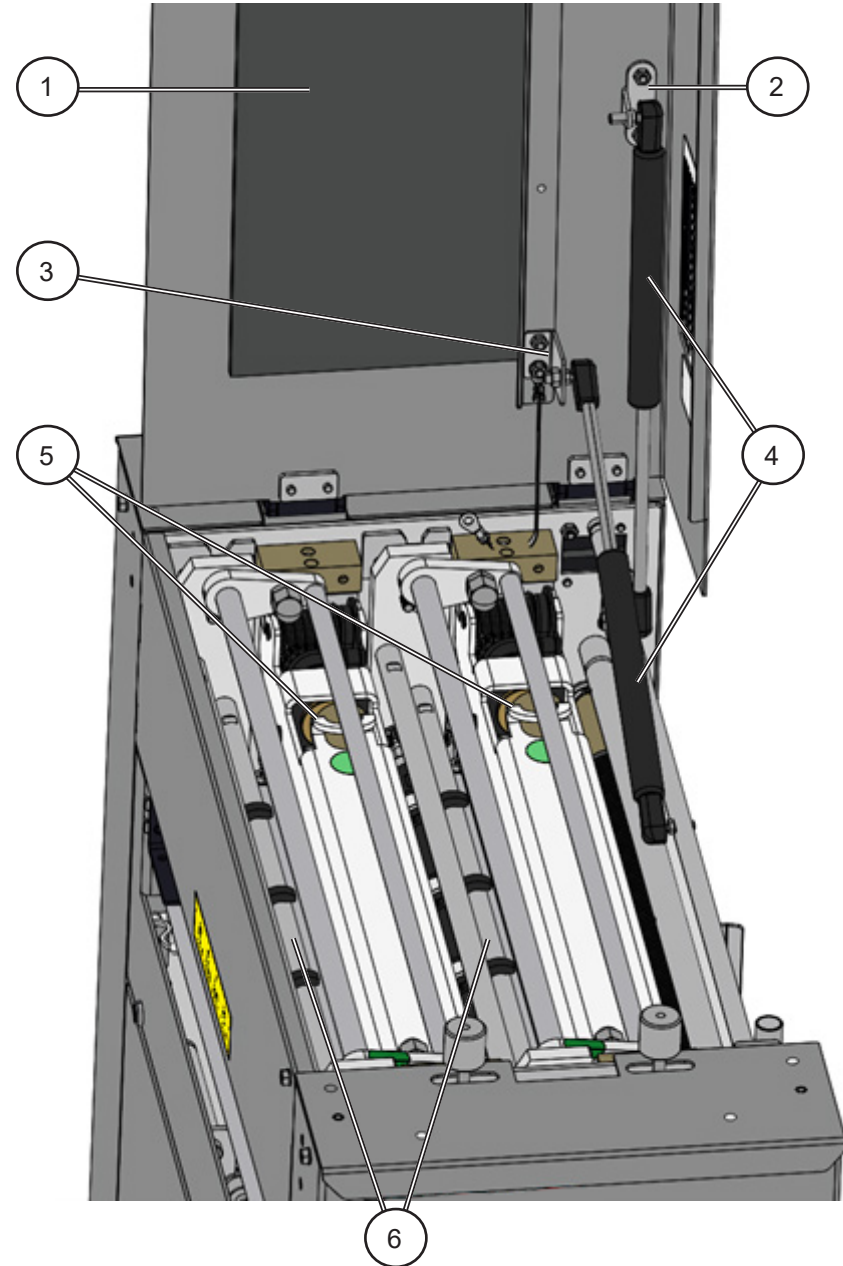
Item	Qty	Part No.	Description
1*	2	606-019	Top Cover Hinge*
1A	2	143-115248	Top Cover Hinge
2	4	323-036-02	Cover Hook
3	3	142-113886	Docking Bracket IB
4	3	335-074-02	Interface Clamp Bracket
5	2	142-113888	Docking Bracket OB External
6	3	142-113887	Docking Bracket OB Internal
7	1	142-113889	Docking Bracket OB External Mid
8	3	99289	Screw M6S M8x60
9	4	26700	Caster Wheel
10	4	99150	Screw M6S M10x25
11	4	99596	Screw M6S M12x140
12	4	143-115412	Foot Adapter

*For machines with serial number L142B00013 and below.



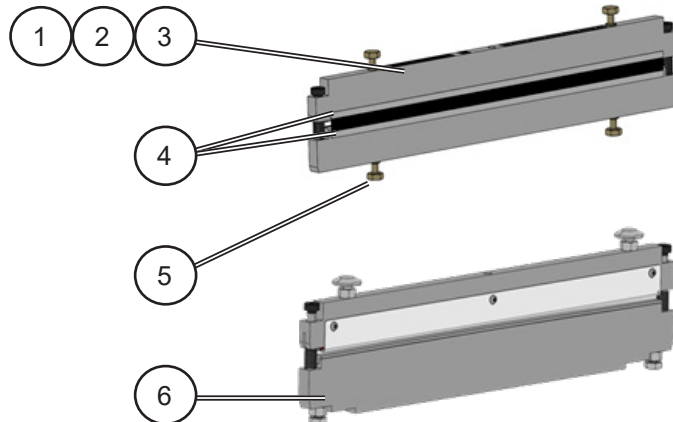
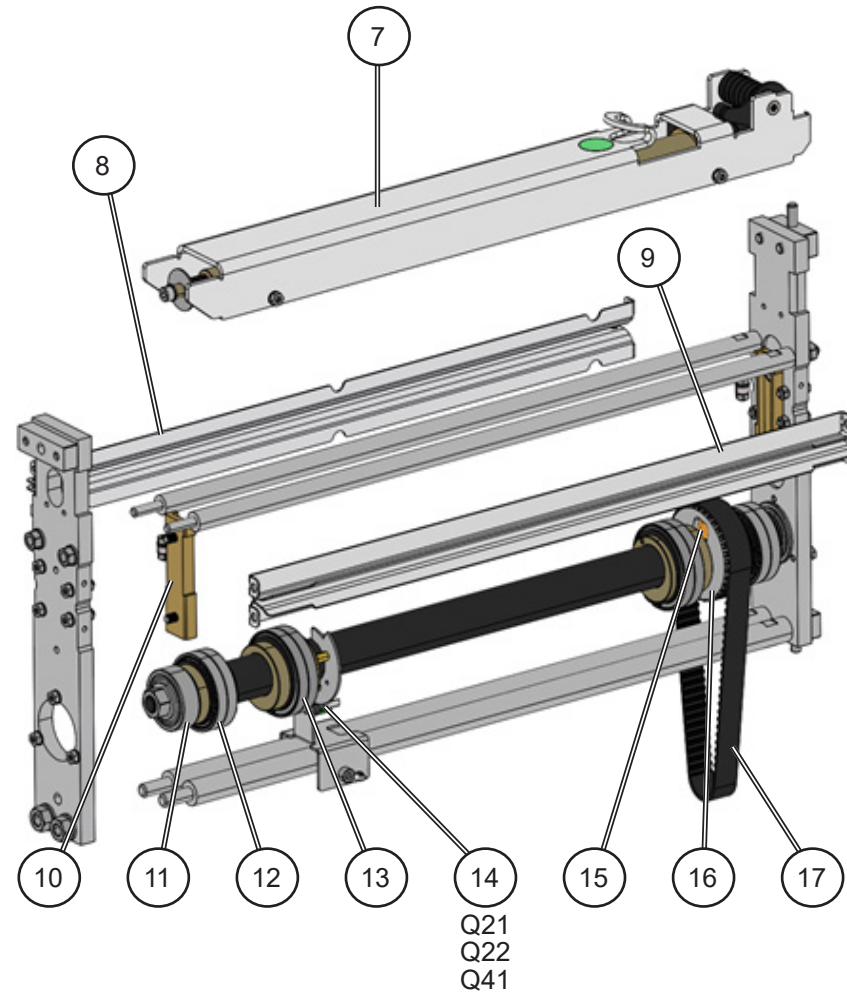
PL 10.0 Creaser – Top View

Item	Qty	Part No.	Description
1	1	323-068-01	Soundproofing – Lid
2	1	129-115858	Ball Bracket
3	2	333-036-01	Strut Bracket – Lid
4	2	604-122	Gas Strut
5	2	AC-150-10	Static Creaser Assembly (see PL 11.0)
6	2	14200011	Rotary Tool Carrier (see PL 12.0)



PL 11.0 Creaser – Static Creasing Unit

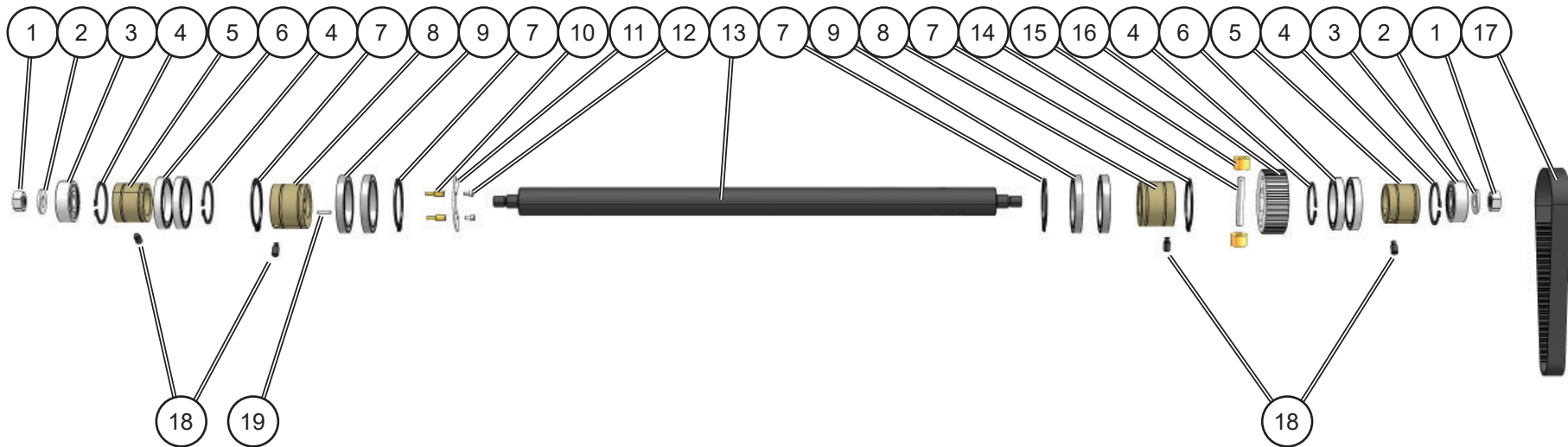
Item	Qty	Part No.	Description
	1	AC-150-10	Static Creaser Assembly (optional)
	1	AC-150-20	Additional Static Creaser
1	1	AC-150-20	Static Creaser Blade Kit (optional)
2	1	AC-150-30	Narrow Static Creaser Blade Kit (opt.)
3	1	AC-150-40	Extra Narrow Static Creaser Blade Kit
4	2	176-013-01	Anti-Static Brush
5	4	129-115729	Creaser Blade Spacer
6	1	AC-150-50	Full Cross Perforation Kit
7	1	129-115730	Static Creaser Bridge
8	2	143-114895	Creaser Paper Exit Guide
9	2	143-114894	Creaser Paper Entry Guide
10	2	336-064-01	Blade Slide
11	2	602-191	Bearing 6301-ZZ
12	4	602-048	Bearing 61807-2RS
13	4	602-241	Bearing 61808-2RZ
14	1	762044	Sensor Card GP1S51 (Q21 / Q22) // (Q41 for Atlas C350)
15	2	336-072-01	Buffer Tube
16	1	336-087-01	Timing Pulley 36XL
17	1	607-221	Timing Belt 164XL



PL 11.1 Creaser – Static Creasing Unit, Cam shaft

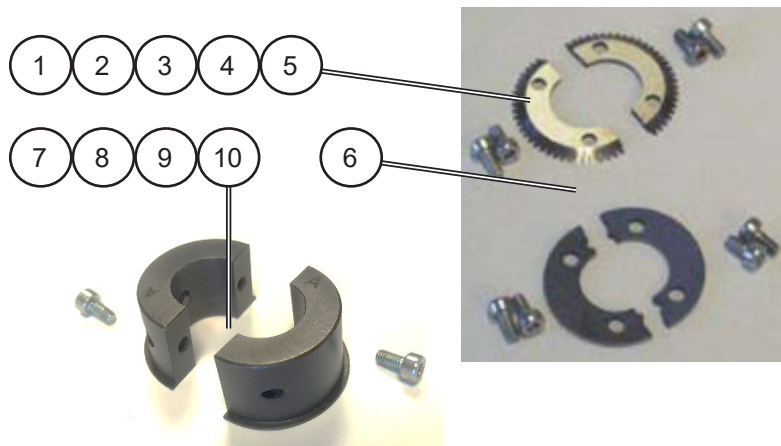
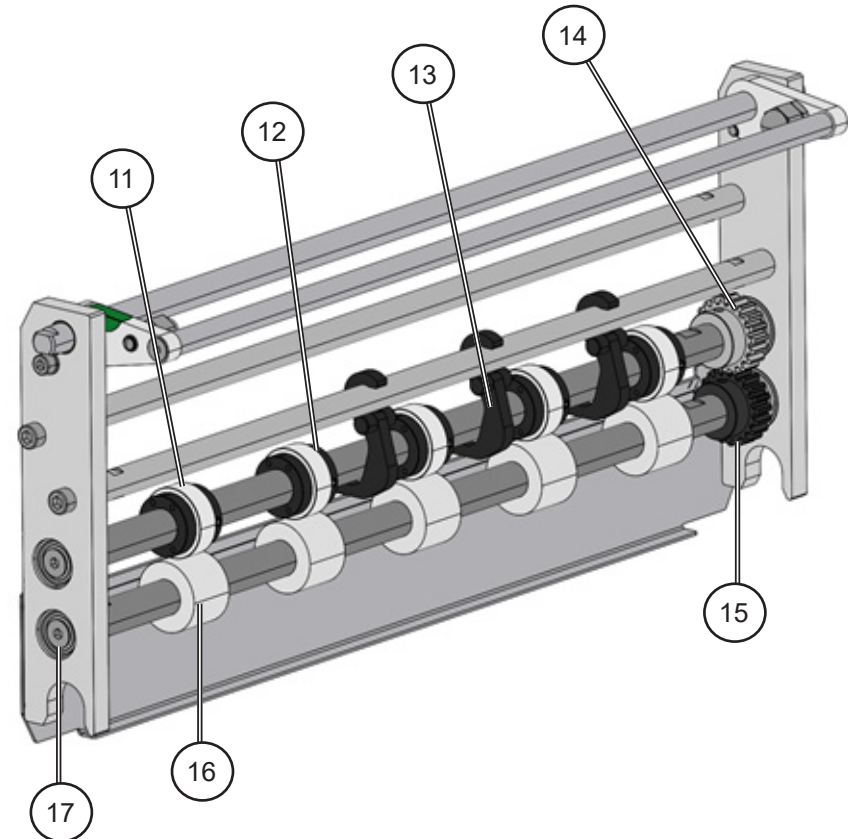
Item	Qty	Part No.	Description
	1	129-115842	Complete crankshaft excl. timing belt
1	2	98015	Nut M10
2	2	97041	Washer 10,5x22x2
3	2	602-191	Ball bearing 6301-2Z
4	4	56740	Retaining ring SgA 35
5	2	129-115843	Excenter perforator
6	4	602-048	Ball bearing 618072RS
7	4	615-084	Retaining ring SgA 40
8	2	143-114330	Eccentric easy blade
9	4	602-241	Ball bearing 61808-2Z

Item	Qty	Part No.	Description
10	2	80760	Spacer M3x8
11	1	336-063-01	Positioning flag easy blade
12	2	99349	Screw MC6S M3x5
13		336-051-02	Cam shaft static creaser
14	1	603-113	Dowel pin ø63x45
15	2	336-072-01	Buffer tube cam shaft
16	1	336-087-01	Timing pulley 36X
17	1	607-221	Timing belt 164x16mm
18	4	411-01-060-012	Screw T6SS M6x12
19	1	603-118	Dowel pin ø2,5x12



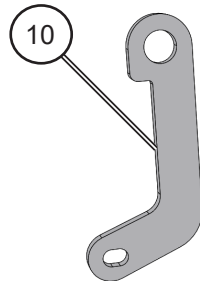
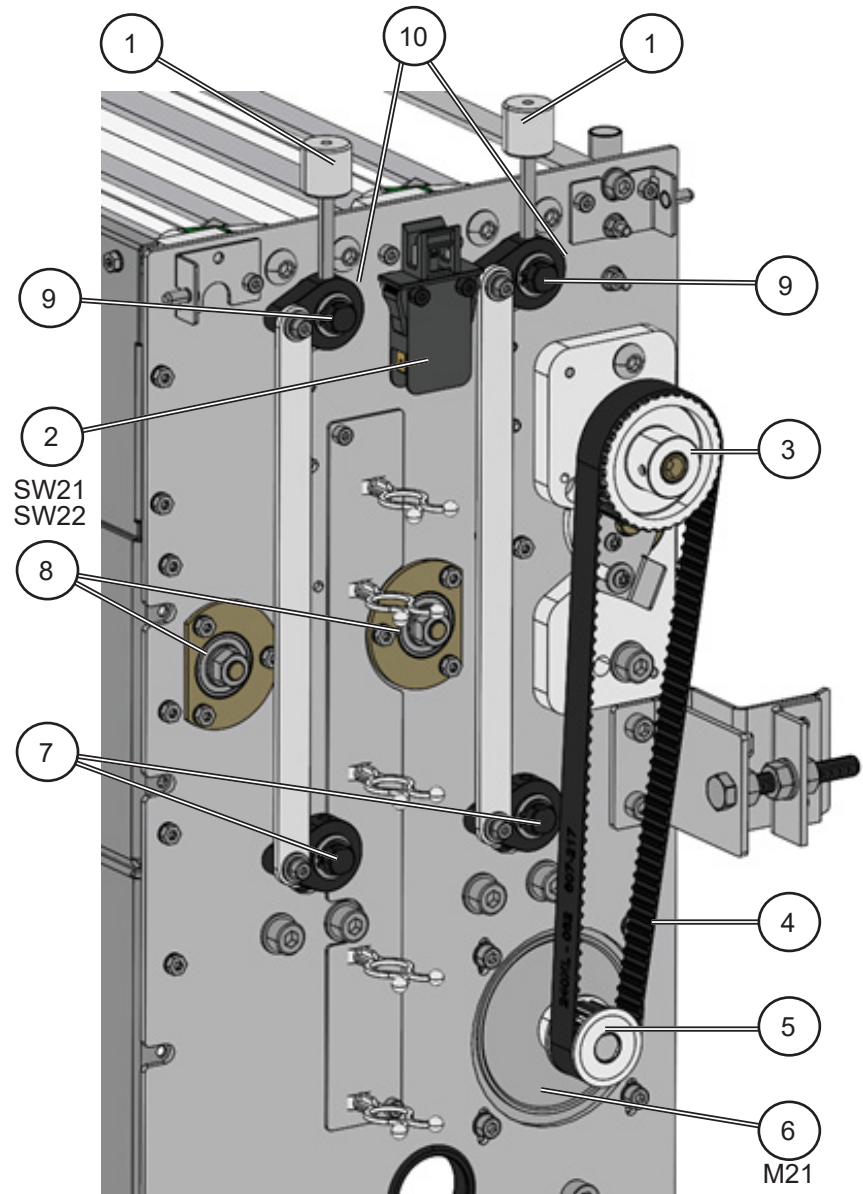
PL 12.0 Creaser – Rotary Tool Carrier

Item	Qty	Part No.	Description
	1	14200011	Rotary Tool Carrier (entire assembly)
1	1	AC-75	20T Rotary Perforation Blade (5 TPI)
2	1	AC-76	28T Rotary Perforation Blade (7 TPI)
3	1	AC-77	56T Rotary Perforation Blade (14 TPI)
4	1	AC-78	96T Rotary Perforation Blade (24 TPI)
5	1	AC-80	Rotary Slitting Blade Set
6	1	AC-79	Anvil (for all blade types)
7	1	AF-20	Scorer Type A (Light Score)
8	1	AF-30	Scorer Type B (Heavy Score)
9	1		n/a
10	1		n/a
11	5	08-015	Perforator Drive Tire
12	5	76-081	Perforator Drive Hub
13	3	177-05-01	Perforator Stripper
14	1	337-003-02	Gear 20T Steel
15	1	337-003-01	Gear 20T Delrin
16	5	08-057	Perforator Drive Wheel
17	4	60827	Bearing 6000-2ZC3



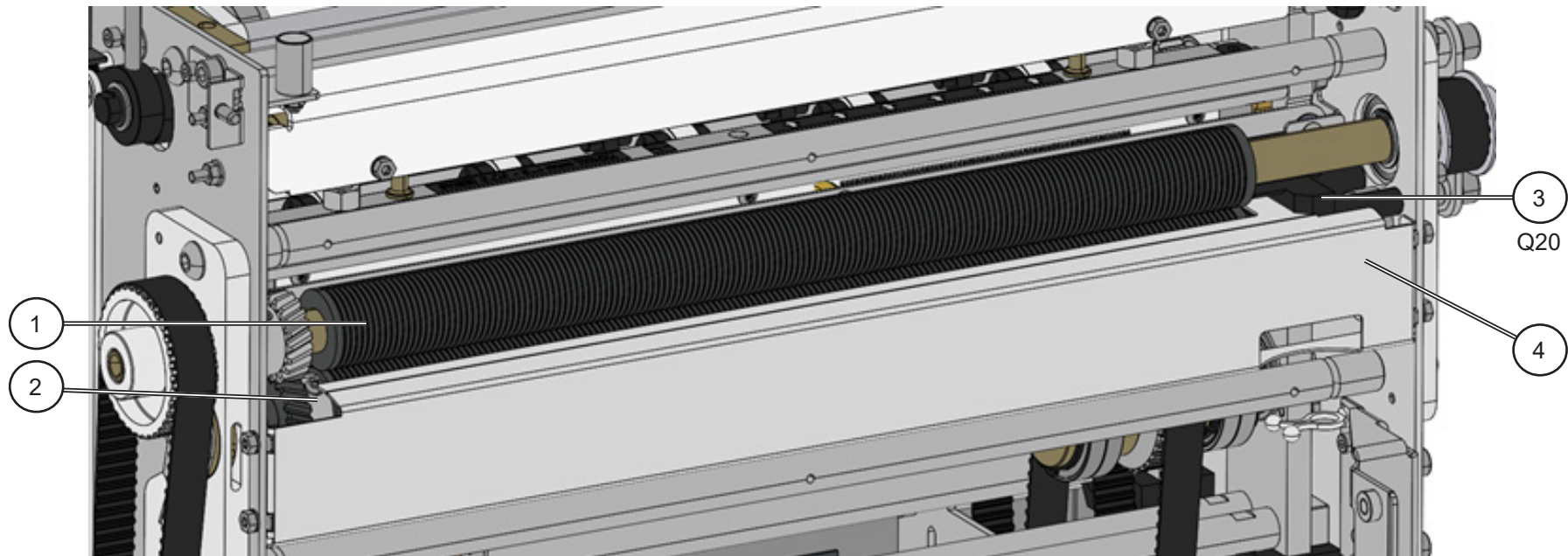
PL 13.0 Creaser – Front Side

Item	Qty	Part No.	Description
1	2	335-038-01	Knob
2	1	122-105331	Interlock Switch (SW21/SW22)
3	1	335-010-04	Timing Pulley 35XL
4	1	607-217	Timing Belt 240XL
5	1	335-011-04	Timing Pulley 18XL
6	1	12990001	Motor 34HD121-37B (M21)
7	2	335-17-01	Tilt Cam Assembly Lower
8	2	60827	Bearing 6000-2ZC3
9	2	335-17-02	Tilt Cam Assembly Upper
10	2	129-116251	Tilt Cam Clamp



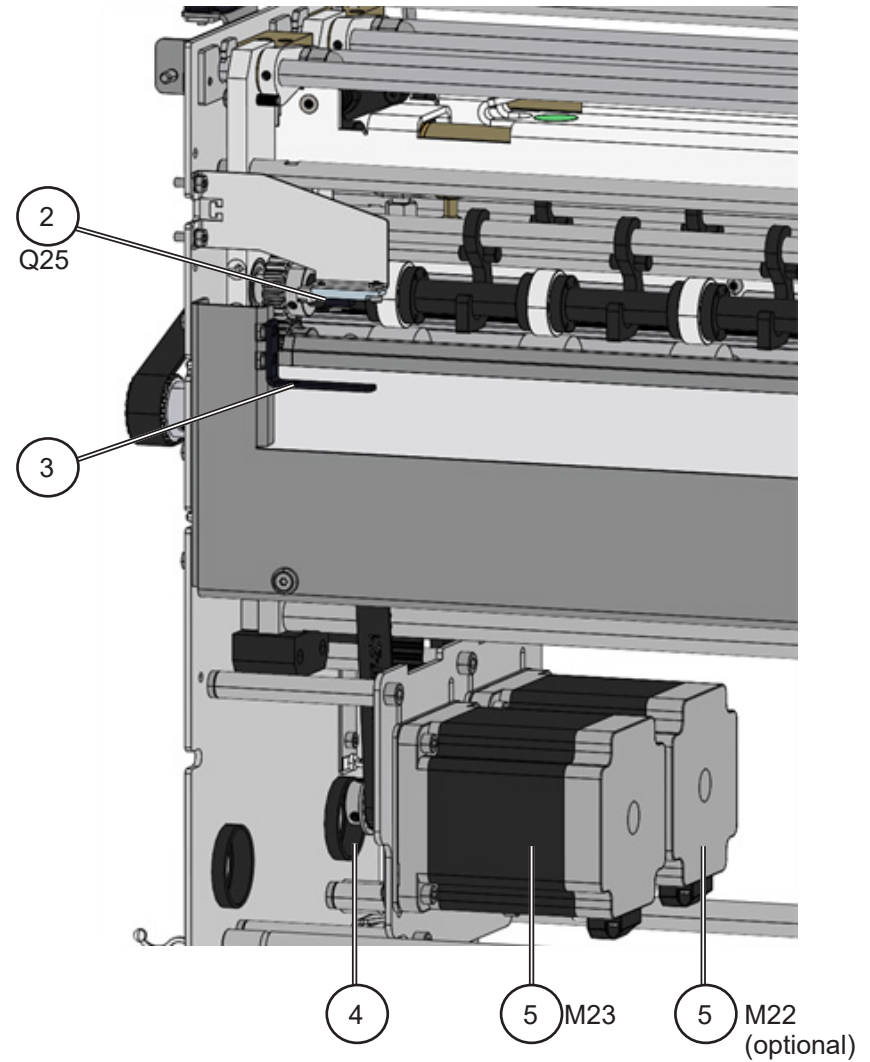
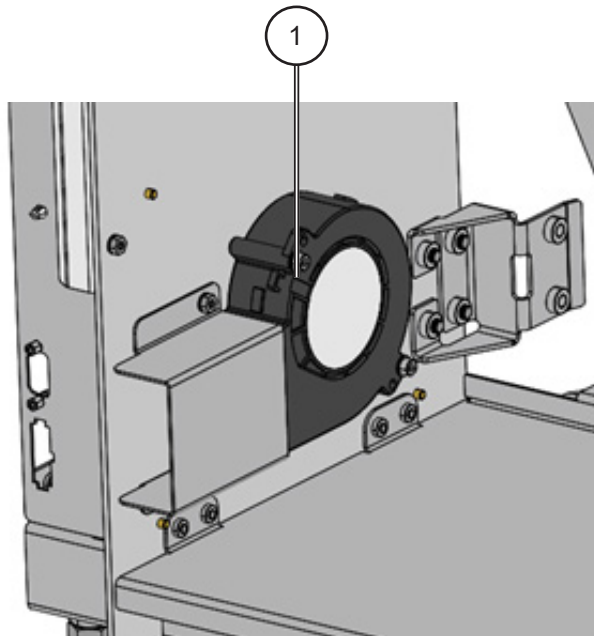
PL 14.0 Creaser – Entry Side

Item	Qty	Part No.	Description
1	1	12990002	Upper Input Roller Assembly (including inboard bearing and helical gear)
2	1	12990003	Lower Input Roller Assembly (including eccentric collars and helical gear)
3	1	12990004	Input Sensor (Q20)
4	1	129-115268	Entry Guard



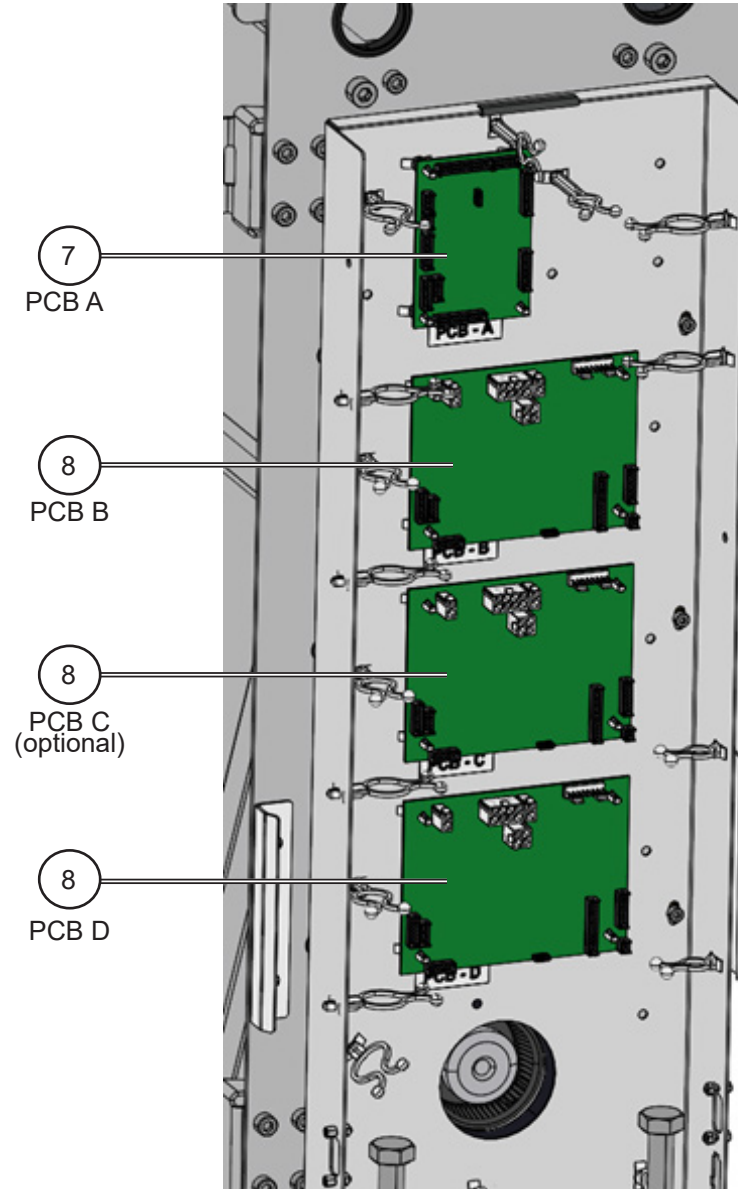
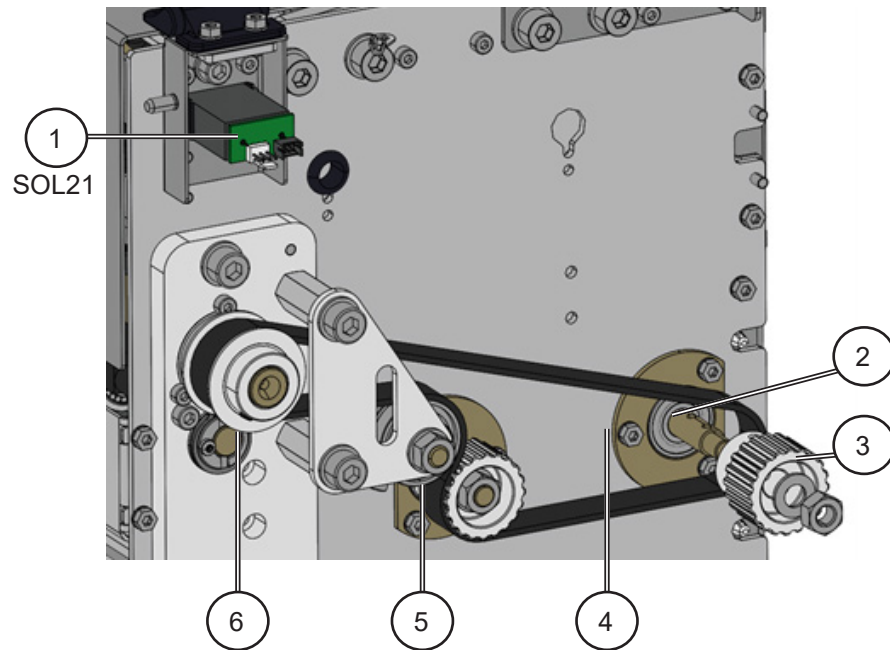
PL 15.0 Creaser – Exit Side

Item	Qty	Part No.	Description
1	1	12590009	Cooling Fan (FAN8)
2	1	96997	Exit Sensor (Q25)
3	1	129-115333	Exit Sensor Limiter
4	2	175-203-02	Timing Pulley 15XL
5	2	12990001	Motor 34HD121-37B (M22 & M23)



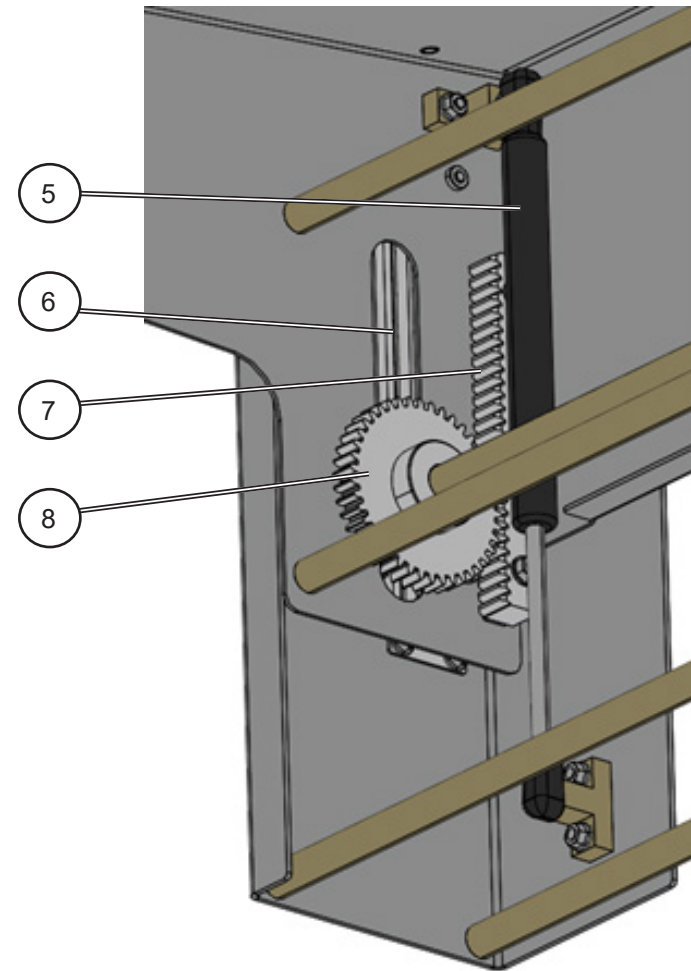
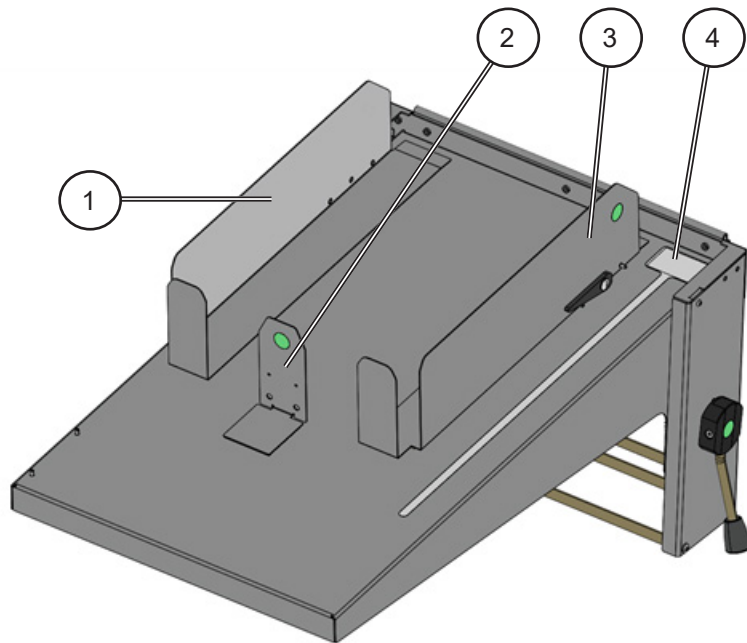
PL 16.0 Creaser – Rear Side

Item	Qty	Part No.	Description
1	1	960-108513	Counter (SOL21)
2	2	60827	Bearing 6000-2ZC3
3	2	335-112-01	Timing Pulley 20XL
4	1	607-216	Timing Belt 210XL
5	2	602-092	Bearing 61804-ZZ
6	1	335-111-01	Timing Pulley 20XL
7	1	12590004	PCB CPU APP32 (PCB A)
8	3	12590005	PCB M21H (PCB B, PCB C & PCB D)



PL 17.0 Creaser – Adjustable Stacker

Item	Qty	Part No.	Description
	1	338-01-02-63	Adjustable Stacker (entire assembly)
1	1	78-005-02-63	Paper Guide Left
2	1	14290026	Backstop
3	1	78-006-03-63	Paper Guide Right
4	1	339-14-01	Paper Guide Strip
5	2	604-122	Gas Strut
6	2	601-215	Slide
7	2	338-017-01	Rack 1.5 Mod
8	2	338-019-01	Gear 1.5 Mod 42T



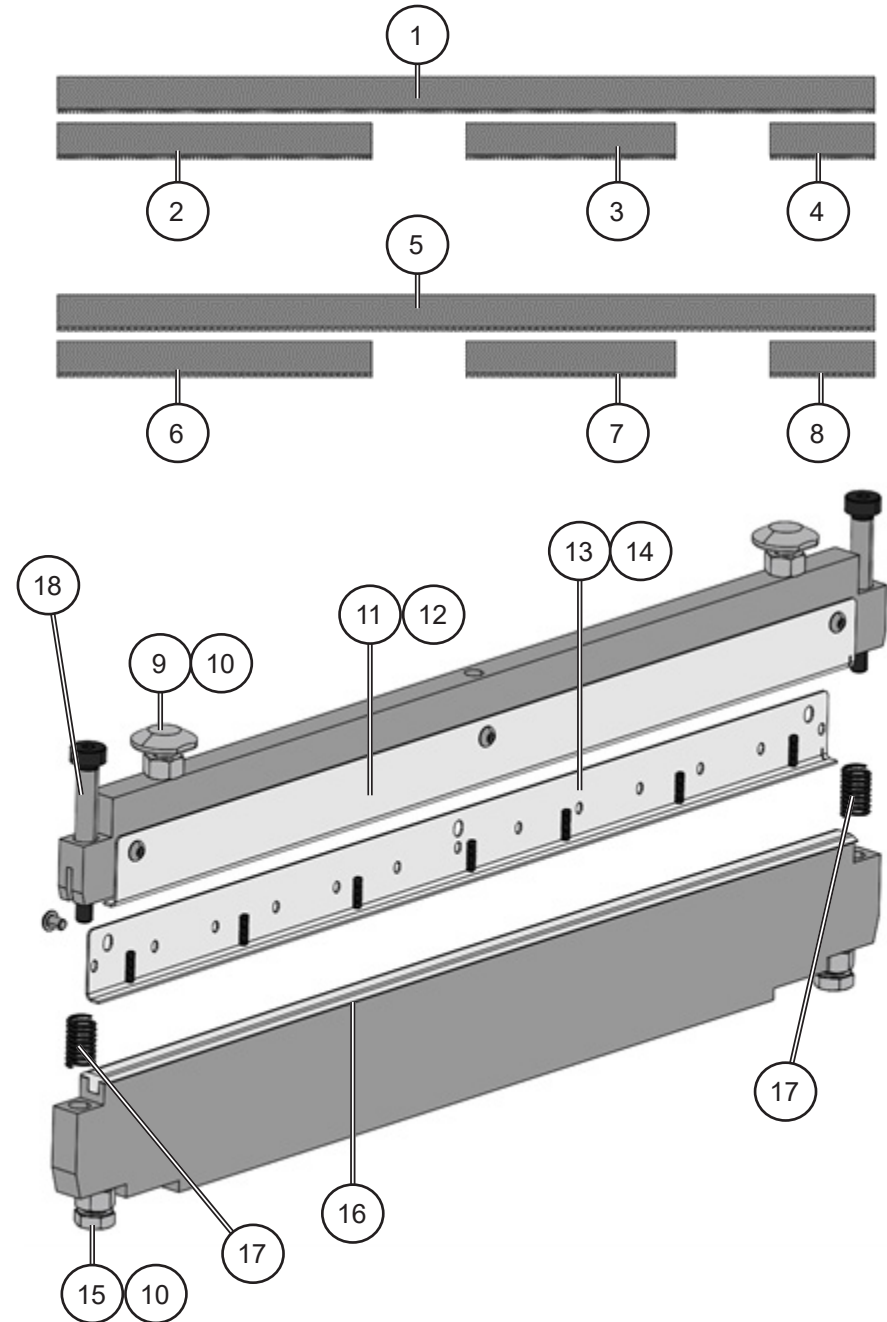
PL 18.0 Creaser – Options

Item	Qty	Part No.	Description
Upgrade kits:			
1	1	AC-150-10	Additional Static Creaser Assembly (see PL 11.0)
Blade kits:			
2	1	AC-150-20	Standard Static Creaser Blade (1.2 mm) (see PL 11.0)
3	1	AC-150-30	Narrow Static Creaser Blade (1.0 mm) (see PL 11.0)
4	1	AC-150-40	Extra Narrow Static Creaser Blade (0.7 mm) (see PL 11.0)
5	1	AC-150-50	Cross-perforation Blade Kit (7 & 14 TPI)(see PL 18.1)

Item	Qty	Part No.	Description
Rotary tools:			
6	1	14200011	Additional Rotary Tool Carrier Kit (see PL 12.0)
7	1	AC-75	20T Rotary Perforation Blade (5 TPI) (see PL 12.0)
8	1	AC-76	28T Rotary Perforation Blade (7 TPI) (see PL 12.0)
9	1	AC-80	Rotary Slitting Blade (see PL 12.0)
10	1	AC-79	Rotary Perforation / Slitting Anvil (see PL 12.0)
11	1	AC-77	56T Rotary Perforation Blade (14 TPI) (see PL 12.0)
12	1	AC-78	96T Rotary Perforation Blade (24 TPI) (see PL 12.0)
13	1	AF-20	Scorer Type A (Light Score) (see PL 12.0)
14	1	AF-30	Scorer Type B (Heavy Score) (see PL 12.0)

PL 18.1 Creaser – Cross-perforation Blade

Item	Qty	Part No.	Description
	1	AC-150-50	Cross-perforation Blade Kit (7 & 14 TPI)
1	1	336-340-01	Perforation Blade – Fine – 390 mm
2	1	336-340-02	Perforation Blade – Fine – 150 mm
3	1	336-340-03	Perforation Blade – Fine – 100 mm
4	1	336-340-04	Perforation Blade – Fine – 50 mm
5	1	336-340-05	Perforation Blade – Coarse – 390 mm
6	1	336-340-06	Perforation Blade – Coarse – 150 mm
7	1	336-340-07	Perforation Blade – Coarse – 100 mm
8	1	336-340-08	Perforation Blade – Coarse – 50 mm
9	2	336-062-02	Pad
10	4	461-05-080	Nut M8x1.0P
11	1	143-115024	Input Ejector
12	7	604-138	Input Ejector Springs
13	1	143-115025	Output Ejector
14	7	604-139	Output Ejector Springs
15	2	415-05-080-020	Screw M8x20 1.0P
16	1	76-402-03	Perforation Anvil
17	2	604-136	Compression spring
18	2	608-007	Shoulder bolt Ø8 (M6) X 50 Long

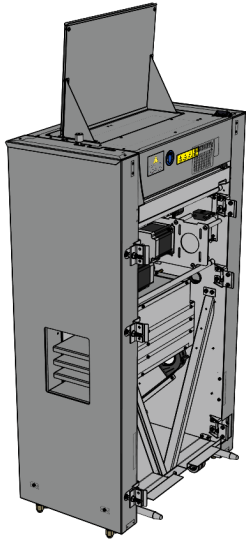


PL 19.0 Creaser - Wire Harnesses

Item	Qty	Part No.	Description	Connections / Reference Numbers
1	1	128-109947	HARNESS M-FEEDER SENSORS EXT C	Chassis Connectors (P206) Sensors (Q25)
2	2	129-109965	HARNESS BLADE SENSORS CREASER	PCB C (C,P1) (C,P3) PCB D (D,P1) (D,P3) Sensors (Q21) (Q22)
3	1	129-108815	HARNESS CREASER SENSORS	Chassis Connectors (P24) (P34) (J12) (J23) (J206) GND PCB A (A,P1) (A,P2) (A,P3) (A,P4) (A,P5) (A,P6) (A,P7) (A,P8) (A,P10) PCB B (B,P5) (B,P6) PCB C (C,P5) (C,P6) PCB D (D,P5) (D,P8) Sensor (Q20) Solenoid (SOL21) Switches (SW21,1) (SW21,2) (SW22,3) (SW22,4)
4	1	129-108816	HARNESS CREASER MOTORS	Chassis Connectors (P110) Motors (M21) (M22) (M23) PCB B (B,P7) (B,P9) PCB C (C,P7) (C,P9) PCB D (C,P7) (C,P9)
5	1	129-115833	HARNESS ICAN AC PRO XL (not required if first (optional) creaser is installed)	PCB B (B,P6) PCB D (D,P5)

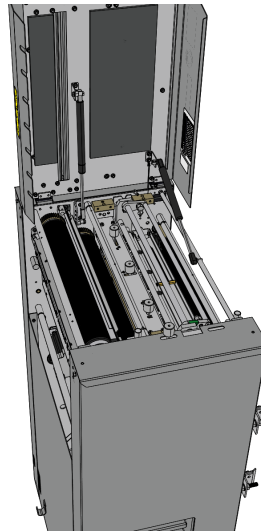
Folder Component Location / Category

Folder – Exterior



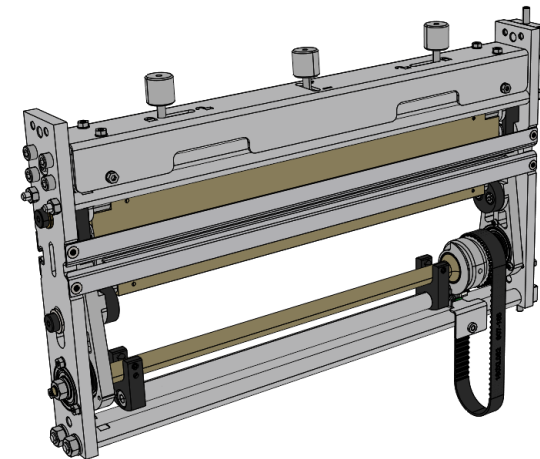
PL 20.0

Folder – Top View



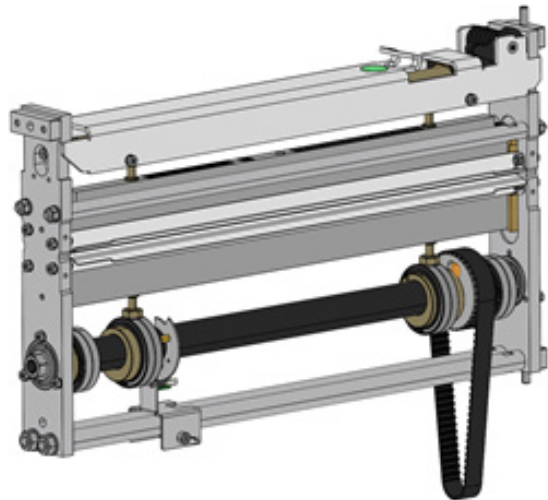
PL 21.0

Folder – Dynamic Creaser



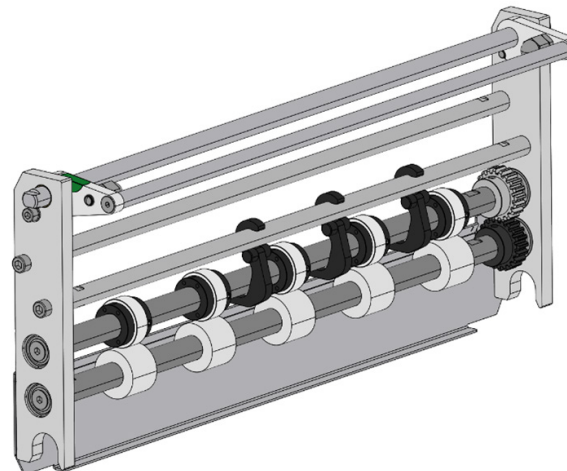
PL 22.0

Folder – Static Creasing Unit (Optional)



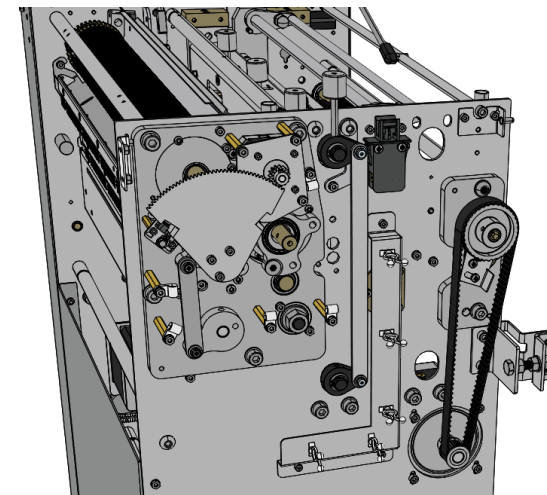
PL 11.0

Folder – Rotary Tool Carrier



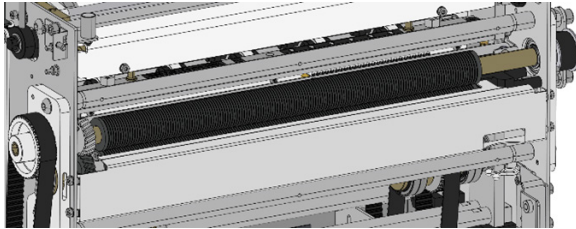
PL 12.0

Folder – Front Side



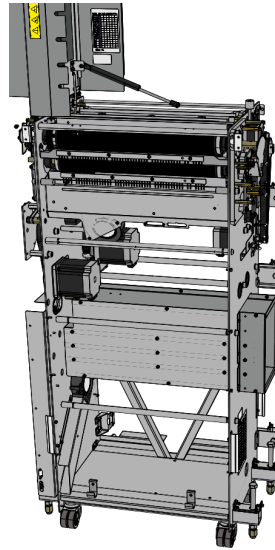
PL 23.0

Folder – Entry Side



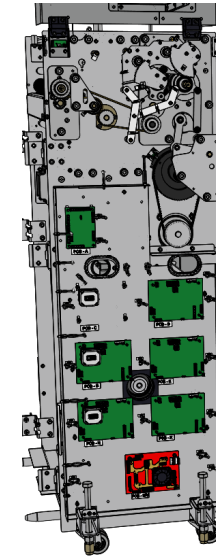
PL 24.0

Folder – Exit Side



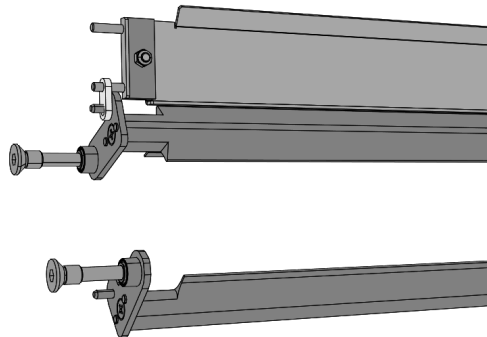
PL 25.0

Folder – Rear Side



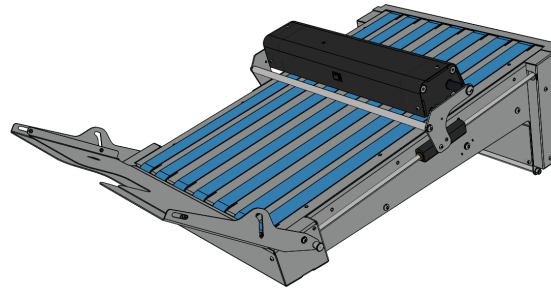
PL 26.0

Folder - Fold Knives



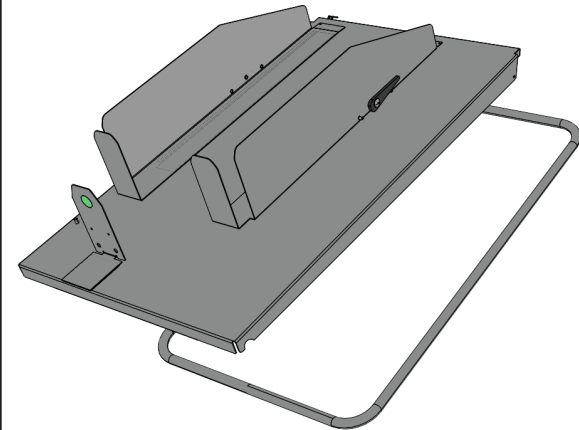
PL 27.0

Folder – Belt Stacker



PL 28.0

Folder – Crease Stacker



PL 29.0

Folder - Wire Harnesses



PL 30.0

Folder Electrical Components Index

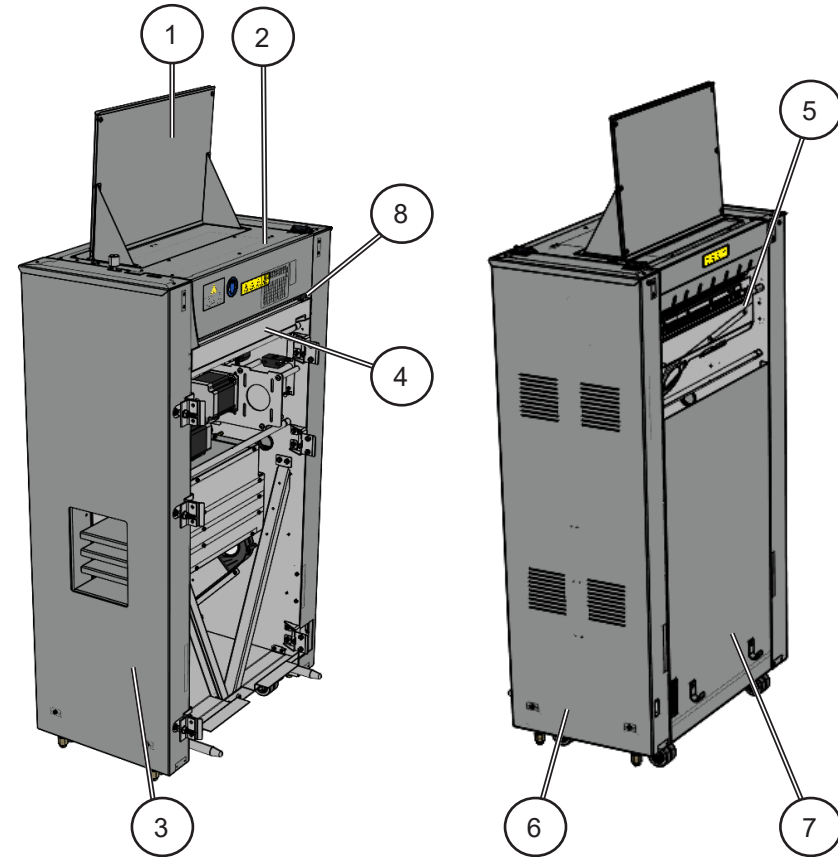
Component	Description	Page
M41	Roller Drive Motor	PL 25.0
M42	Creaser 1 Motor	PL 25.0
M43	Creaser 2 Motor	PL 25.0
M44	Fold Knife Motor	PL 25.0
M45	Gap Set Motor 2	PL 23.0
M46	Gap Set Motor 3	PL 26.0
M47	Delivery Belt Motor	PL 28.0
M48	Positioning Motor	PL 28.0
M49	Delivery Roller Drive Motor	PL 28.0
M50	Gap Set Motor 1	PL 26.0
Q40	Input Sensor	PL 20.0
Q41	Creaser 1 home sensor (optional)	PL 11.0
Q42	Creaser 2 home sensor	PL 22.1
Q45	Crease Exit sensor	PL 25.0
Q47	Fold Knife position	PL 26.0
Q48	Gap Set 2 position	PL 23.0
Q49	Gap Set 3 position	PL 26.0
Q50	Delivery Roller Position sensor	PL 28.0
Q51	Gap Set 1 position	PL 26.0
Q52	Fold Exit sensor (both LED and Pht)	PL 25.0
Q54	Crease Tray sensor	PL 28.0
SW41/SW42	Top Cover Interlock Switch	PL 23.0
SOL41	Sheet Counter	PL 26.0
PCB A	Main processor CPU APP32	PL 26.0
PCB B	Motor M41 driver M21H	PL 26.0
PCB C	Motor M42 driver M21H	PL 26.0
PCB D	Motor M43 driver M21H	PL 26.0
PCB E	Motor M44 driver M21H	PL 26.0
PCB H	Motor M47 driver M21H	PL 26.0

Component	Description	Page
PCB K	Motor M49 driver M21H	PL 26.0
PCB MM	Motor M45/M46/M50 driver	PL 26.0
FAN 8	Cooling Fan	PL 25.0
Fan 9	Delivery Fan	PL 25.0

Folder Parts List

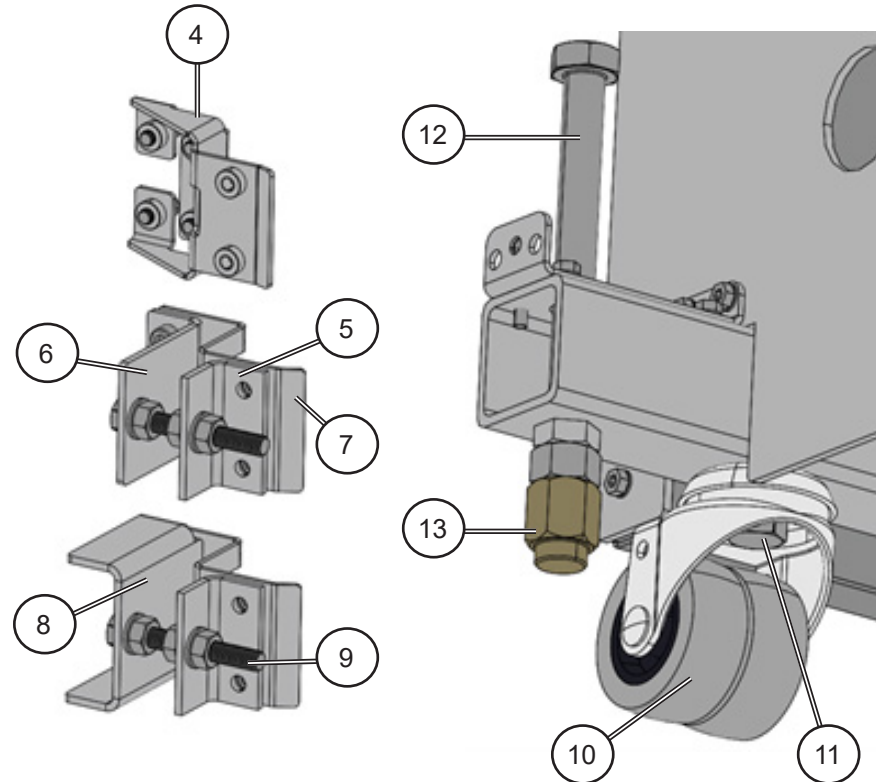
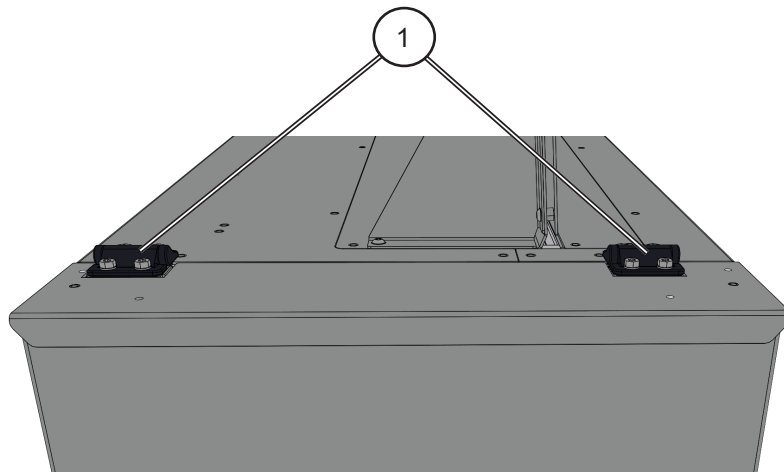
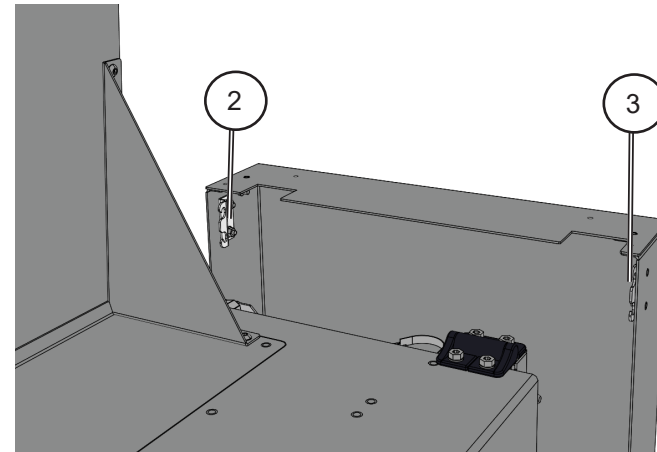
PL 20.0 Folder – Exterior

Item	Qty	Part No.	Description
1	1	143-114880	Top Cover Shoot
2	1	143-114867	Top Cover Assembly
3	1	14290023	Front Cover
4	1	129-115268	Entry Gaurd
5	1	143-114370	Exit Paper Path
6	1	143-115337-63	Rear Cover
7	1	143-113969-63	Lower Exit Cover
8	1	12990004	Input Sensor (Q40)



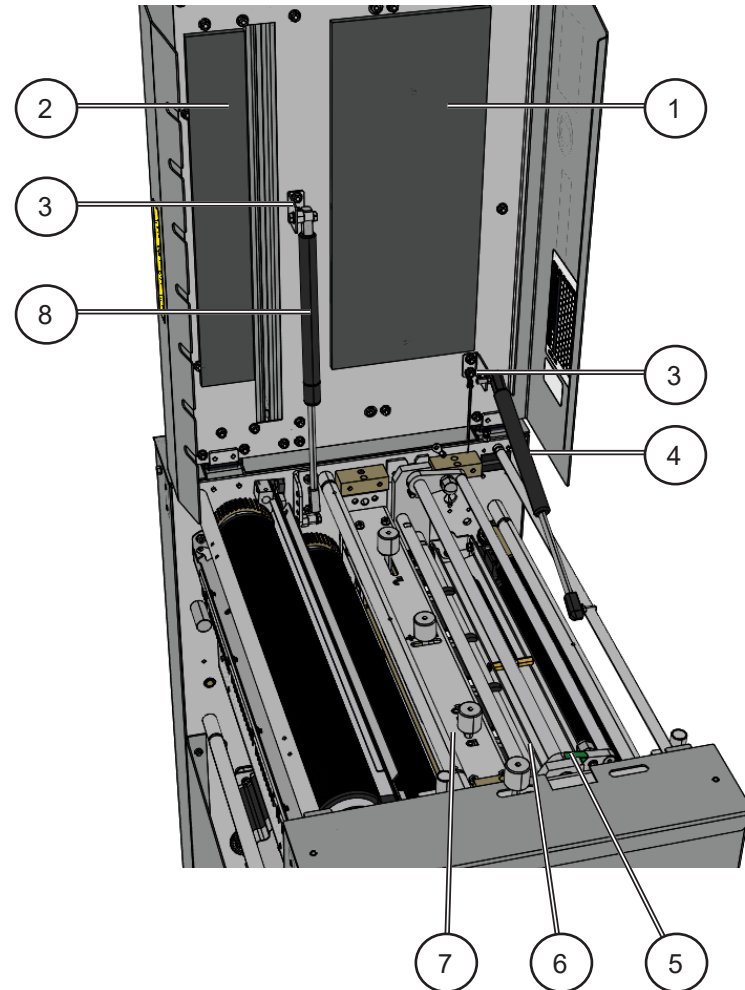
PL 20.1 Folder – Exterior Hardware

Item	Qty	Part No.	Description
1	2	143-115248	Top Cover Hinge
2	2	323-036-01	Cover Hook (Exit Side)
3	2	323-036-02	Cover Hook (Entry Side)
4	3	142-113886	Docking Bracket IB
5	3	335-074-02	Interface Clamp Bracket
6	2	142-113888	Docking Bracket OB External
7	3	142-113887	Docking Bracket OB Internal
8	1	142-113889	Docking Bracket OB External Mid
9	3	99289	Screw M6S M8x60
10	4	26700	Caster Wheel
11	4	99150	Screw M6S M10x25
12	4	99596	Screw M6S M12x140
13	4	143-115412	Foot Adapter



PL 21.0 Folder– Top View

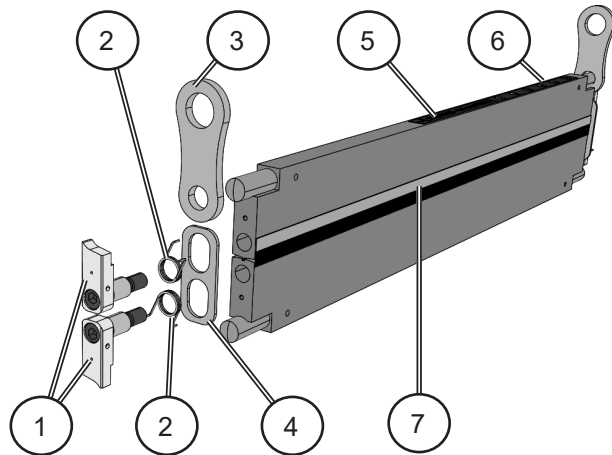
Item	Qty	Part No.	Description
1	1	323-068-01	Soundproofing – Lid Large
2	1	323-068-02	Soundproofing – Lid Small
3	2	333-036-01	Strut Bracket - Lid
4	2	604-122	Gas Strut Entry
5	1	129-115841	Optional Static Creaser Assembly (see PL 11.0)
6	1	14200011	Rotary Tool Carrier (see PL 12.0)
7	1	143-115048	Dynamic Crease Assembly (see PL 22.0)
8	1	143-116415	Gas Strut Centre



PL 22.0 Folder– Dynamic Crease Assembly

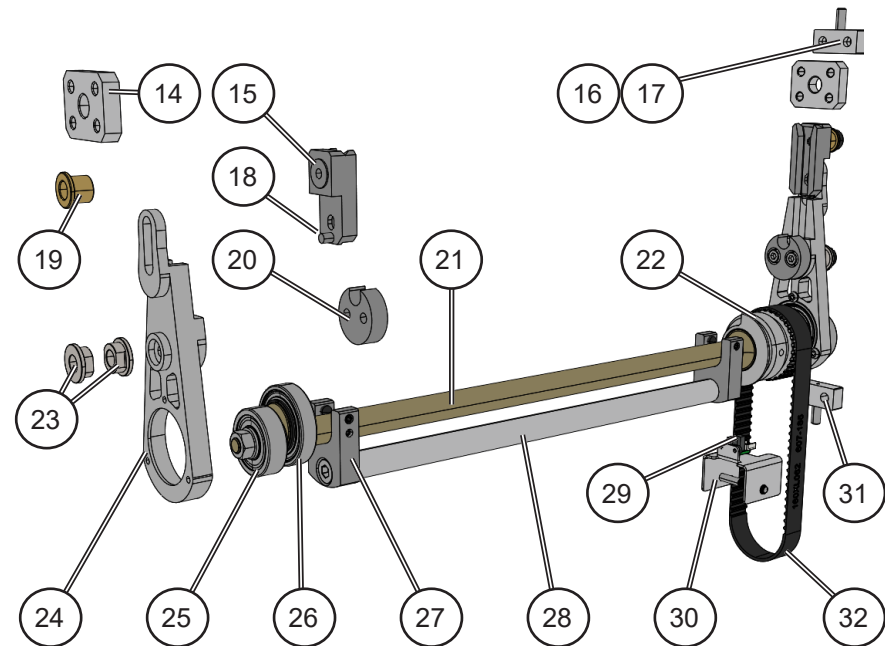
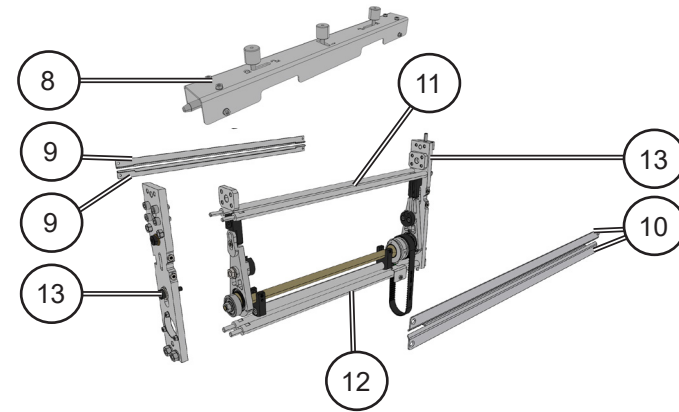
Item	Qty	Part No.	Description
-	1	AC-150-60	Standard Dynamic Crease Blade Kit
-	1	AC-150-70	Narrow Dynamic Crease Blade Kit
-	1	AC-150-80	Extra Narrow Dynamic Crease Blade Kit
1	4	176-184-01	Blade Guide Assembly
2	4	143-115004	Spring
3	2	143-115009	Bridge to Blade Link
4	2	143-115029	Blade Link
5	2	176-008-05	Label - Sheet Thickness
6	2	336-077-01	Label - Paper Direction
7	1	176-013-01	Anti-Static Brush

Intentionally blank.



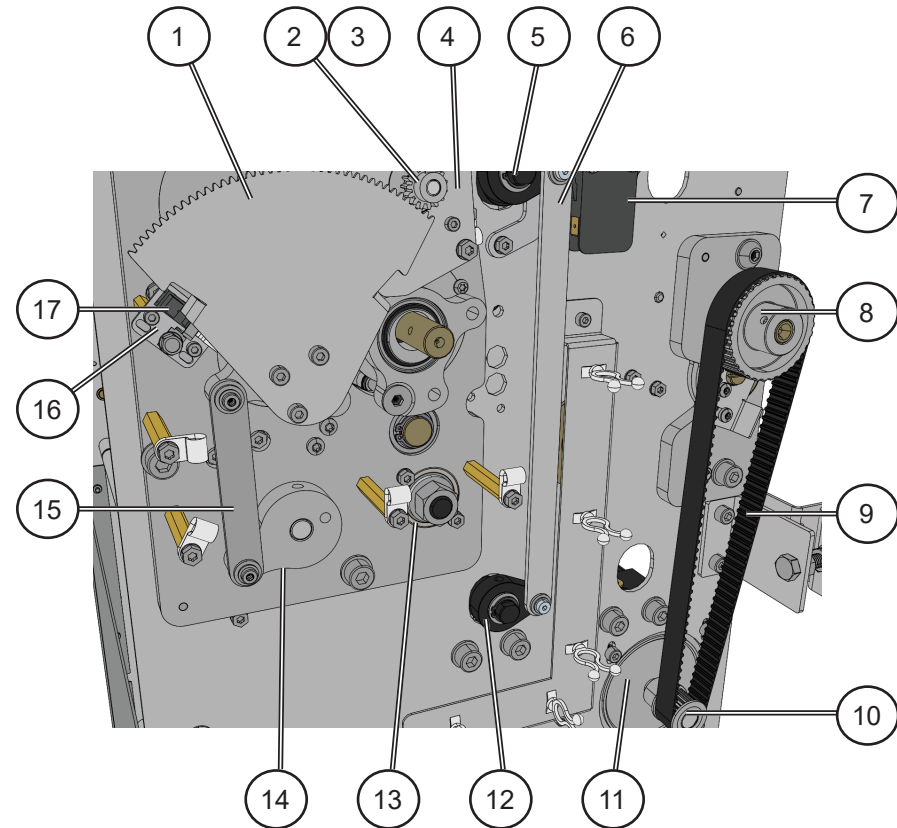
PL 22.1 Folder– Dynamic Crease Assembly (continued)

Item	Qty	Part No.	Description
8	1	143-115008	Dynamic Crease Bridge
9	2	176-020-06	Output Guide
10	2	143-116584	Input Guide
11	2	76-003-05	Upper Tie Bar
12	2	76-003-06	Lower Tie Bar
13	2	143-115001	Dynamic Crease Side Plate
14	2	143-115002	Easy Blade Bracket
15	2	176-254-01	Upper Guide Block
16	2	603-095	Pin
17	1	176-009-03	Upper Block
18	2	176-183-01	Bush Upper Guide Block
19	2	602-009	Flanged Bush
20	2	176-109-01	Power Link Bearing
21	1	148-115077	Crankshaft Dynamic Crease Assembly
22	1	176-080-01	Crankshaft Pulley
23	4	176-257-03	Pivot Bush
24	2	176-076-02	Power Link
25	2	602-082	Outer Bearing
26	2	602-161	Inner Bearing
27	2	176-176-01	Counter Weight Pivot
28	1	141-003-09	Counter Weight
29	1	762044	Gap Sensor (Q42)
30	1	336-020-01	Sensor Bracket
31	1	176-009-04	Lower Block
32	1	607-185	Timing Belt



PL 23.0 Folder– Front

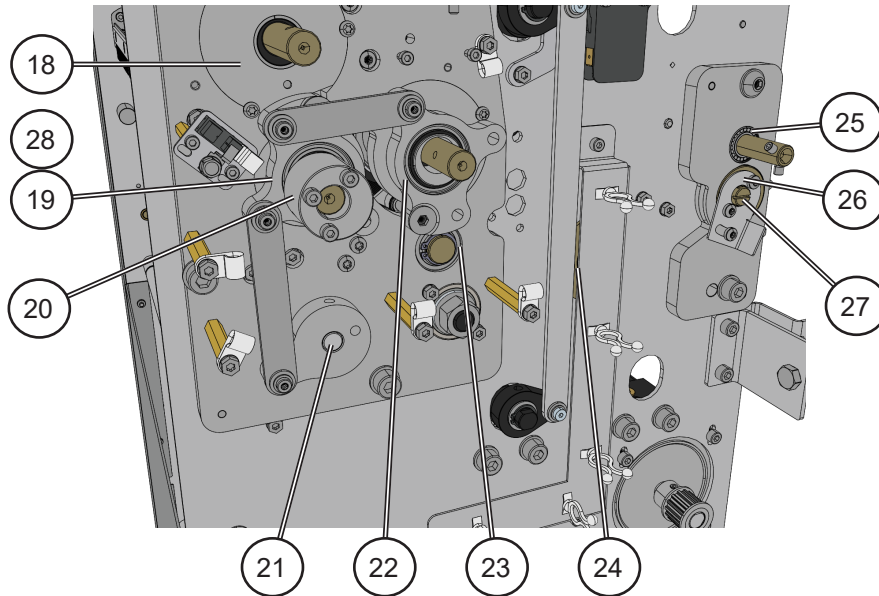
Item	Qty	Part No.	Description
1	1	143-115205	2nd Gap Gear
2	1	86132	Motor Gear
3	1	14090014	Motor (M45)
4	1	143-115204	Motor Bracket
5	1	335-17-04	Tilt Cam Post Assembly
6	1	332-021-02	Tilt Link
7	1	122-105331	Interlock Switch (SW41/SW42)
8	1	335-010-04	Timing Pulley
9	1	607-215	Timing Belt
10	1	335-011-03	Timing Pulley
11	1	12990001	Motor (M41)
12	1	335-17-05	Tilt Cam Assembly
13	1	30651	Bearing
14	1	175-218-02	Crank Disc Cam Drive
15	1	175-124-01	Connecting Link
16	1	137-110444	Sensor Bracket
17	1	101-102822	Gap Sensor (Q48)



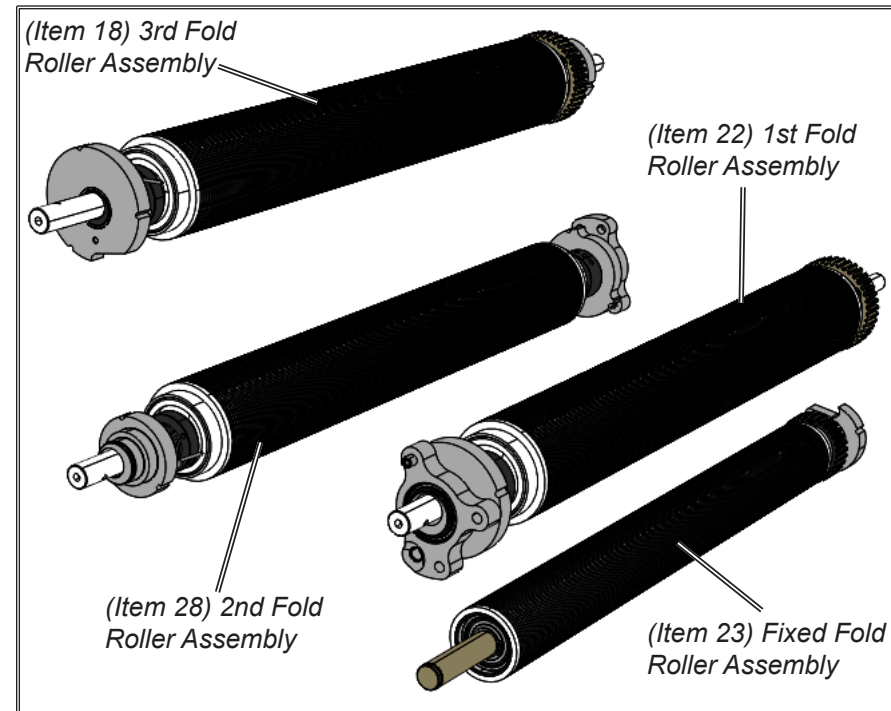
Continued on next page...

PL 23.0 Folder– Front (continued)

Item	Qty	Part No.	Description
18	1	14290032	3rd Fold Roller Assembly
19	1	175-090-01	Knife Drive Hub
20	1	355-052-01	Collar
21	1	175-019-02	Knife Drive Shaft
22	1	14290030	1st Fold Roller Assembly
23	1	14290033	Fixed Fold Roller Assembly
24	1	129-116640	Transfer Shaft Assembly
25	1	602-056	Bearing
26	1	355-103-02	Input Roller Adjustment Plate
27	1	335-22-01	Input Roller Assembly
28	1	14290031	2nd Fold Roller Assembly



For reference



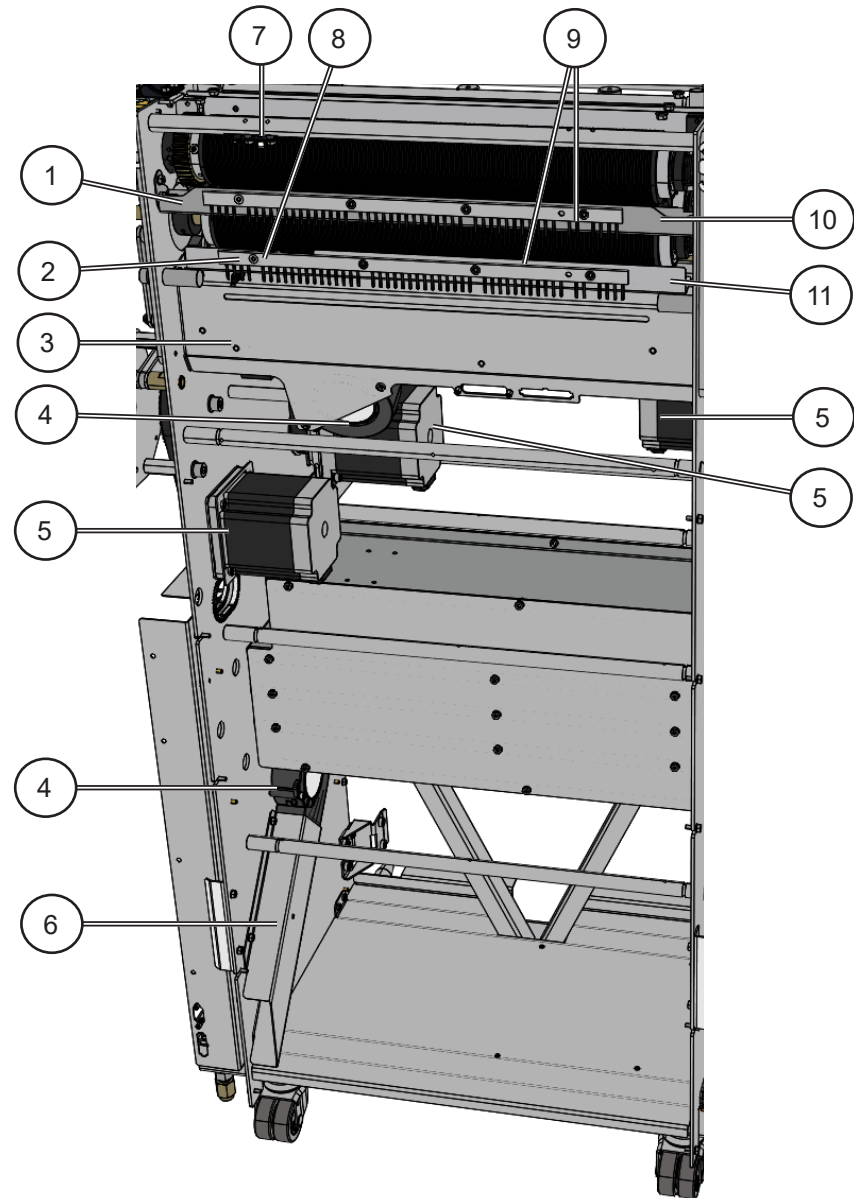
PL 24.0 Folder- Entry

Item	Qty	Part No.	Description
			Folder Entry (see PL 14.0)

Intentionally blank.

PL 25.0 Folder– Exit

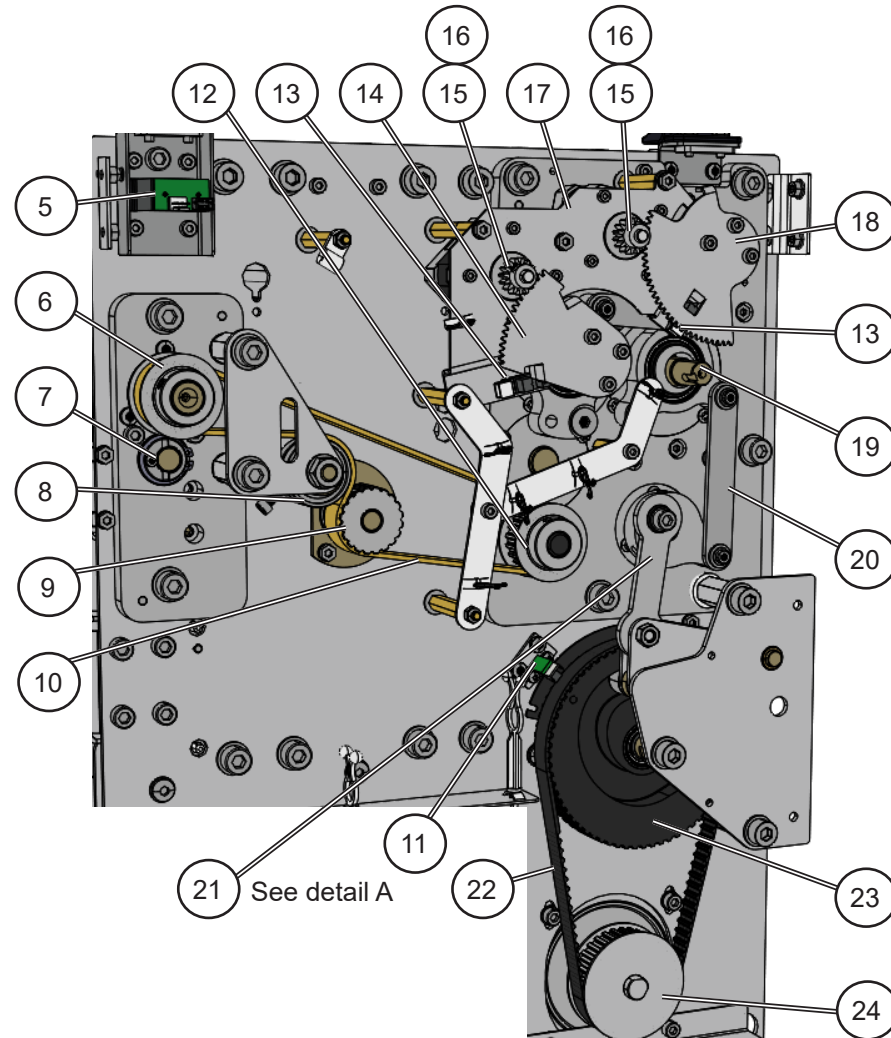
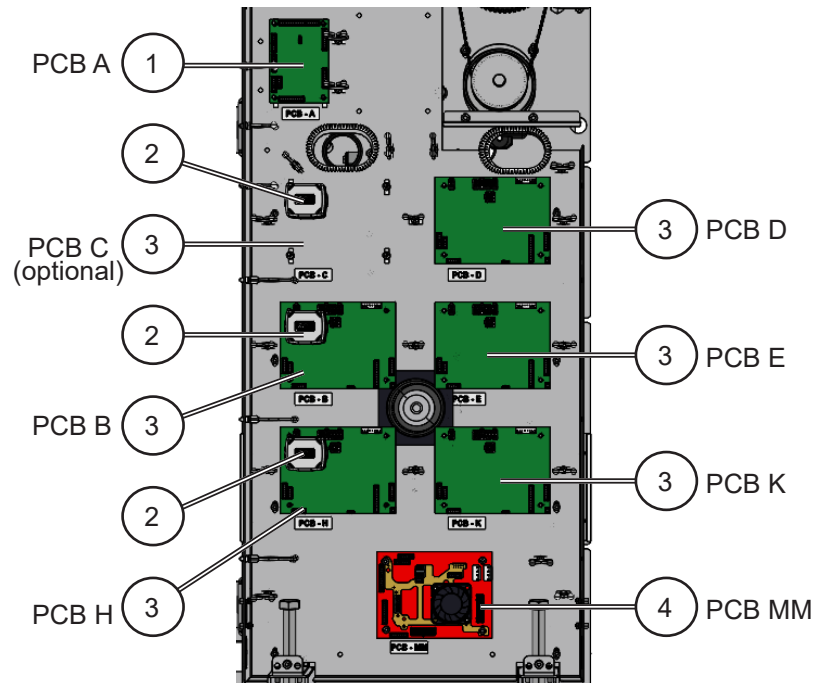
Item	Qty	Part No.	Description
1	1	143-114581	Upper Paper Path Output
2	1	96997	Crease Only Output Sensor (Q45)
3	1	143-114370	Paper Path Output Bottom
4	2	12590009	Fan (FAN8/FAN9)
5	3	12990001	Motor (M41/M42/M43/M44)
6	1	322-088-01	Air Duct
7	1	960-109182	Fold Exit Sensor LED (Q52)
8	1	10690028	Fold Exit Sensor Phototransistor (Q52)
9	2	56677	Anti-Static Brush
10	1	143-114581	Fold Paper Path Upper
11	1	143-114371	Crease Paper Path Upper



PL 26.0 Folder– Rear

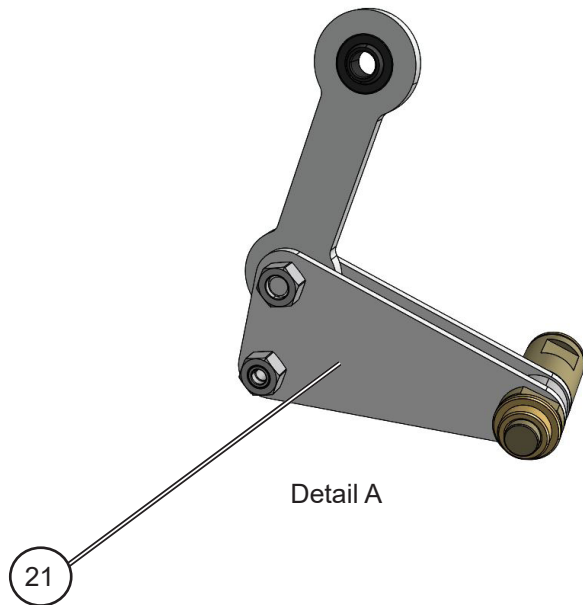
Item	Qty	Part No.	Description
1	1	12590004	PCB CPU APP32 (PCB A)
2	3	101-101456	Ferrite
3	6	12590005	PCB M21H (PCB B/C/D/E/H/K)
4	1	14290034	PCB M04L (PCB MM)
5	1	960-108513	Counter (SOL41)
6	1	335-111-01	Timing Pulley
7	1	335-22-01	Lower Input Roller Assembly
8	2	602-092	Bearing
9	1	129-116638	Timing Pulley
10	1	607-216	Timing Belt
11	1	762044	Cam Sensor (Q47)
12	1	335-115-01	Timing Pulley
13	2	101-102822	Flag Sensor (Q51/Q49)

Item	Qty	Part No.	Description
14	1	143-115207	1st Roller Gap Gear
15	2	86132	Motor Gear
16	2	14090014	Motor (M50/M46)
17	1	143-115209	Motor Bracket
18	1	143-115208	3rd Roller Gap Gear



PL 26.0 Folder-- Rear (continued)

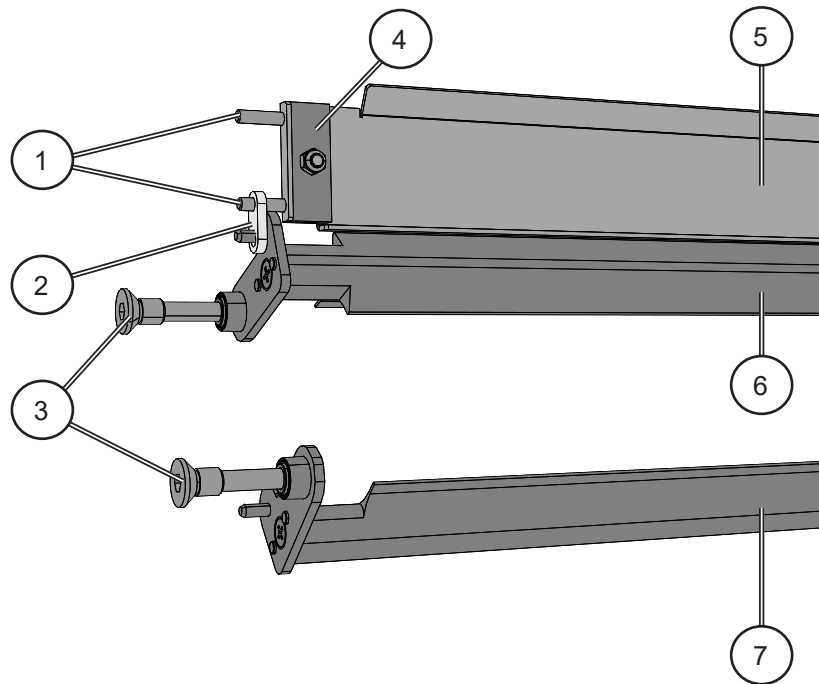
Item	Qty	Part No.	Description
19	1	14290031	2nd Fold Roller Assembly
20	1	175-124-01	Connecting Link
21	1	143-116830	Cam Follower Assembly
22	1	607-169	Timing Belt
23	1	175-37-01	Cam Pulley Assembly
24	1	335-124-01	Timing Pulley



Intentionally blank.

PL 27.0 Folder– Fold Knives

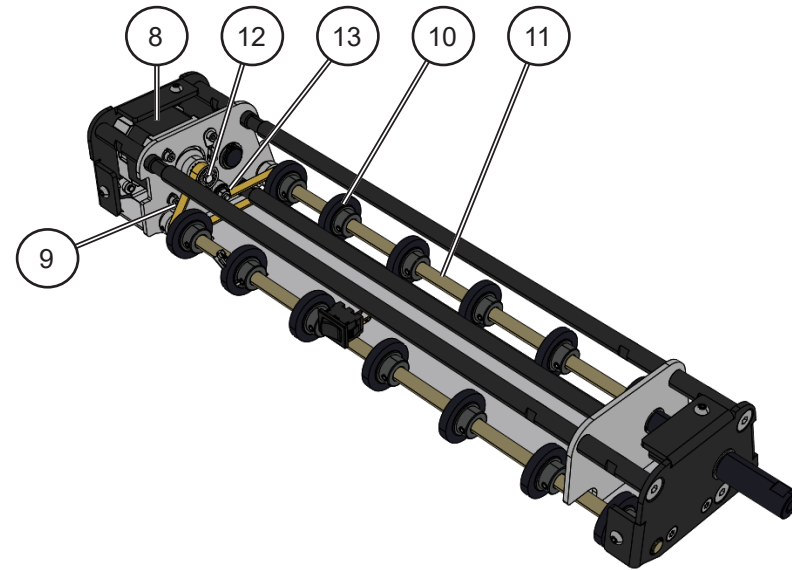
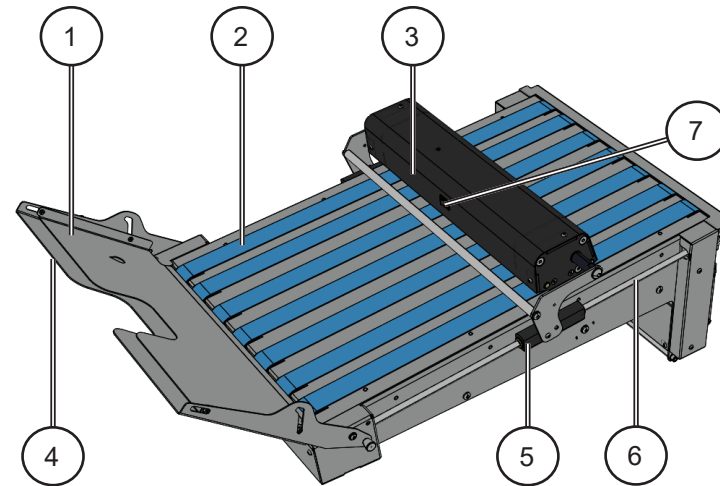
Item	Qty	Part No.	Description
1	4	603-059	Pin
2	2	126-059-02	Link
3	4	145-093-02	Blade Bolt
4	2	175-128-02	Pin Clamp
5	1	14290037	Paper Guide Assembly
6	1	14290035	Upper Fold Knife Assembly
7	1	14290036	Lower Fold Knife Assembly



Intentionally blank.

PL 28.0 Folder– Fold Delivery

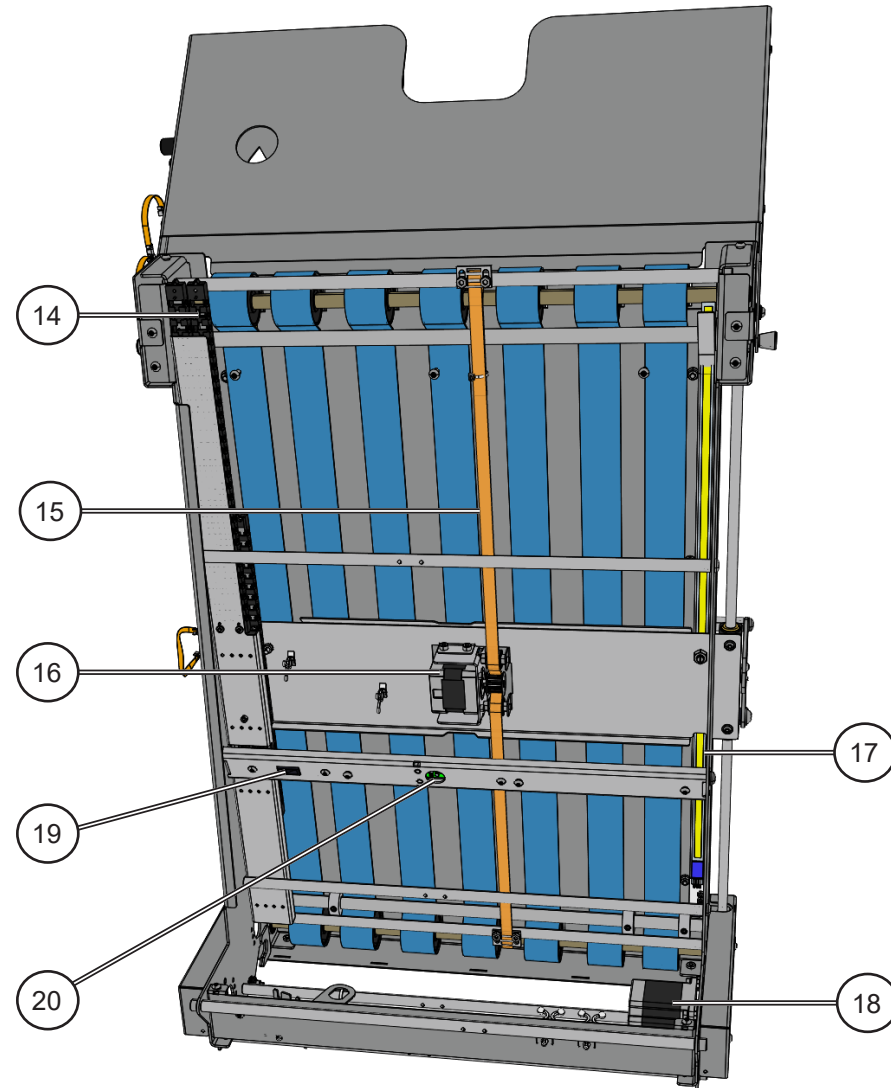
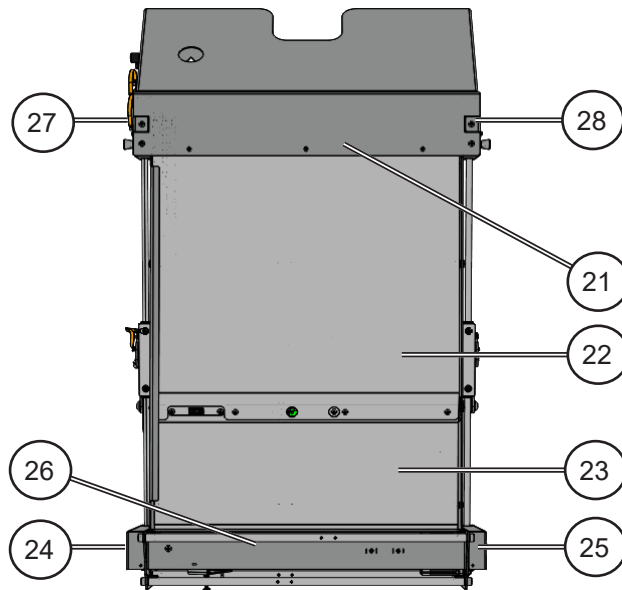
Item	Qty	Part No.	Description
1	1	143-114667-63	Stacker Slide Plate
2	7	143-113945	Delivery Belt
3	1	143-113953	Delivery Roller Assembly
4	1	143-114666-63	Stacker Pivot Plate
5	4	602-165	Spherical Bearing
6	2	143-113954	Shaft
7	1	47223	Switch
8	1	14090014	Motor (M49)
9	1	607-223-03	Timing Belt
10	14	328-15-01	Foam Roller
11	2	143-113963	Shaft
12	1	328-036-01	Timing Pulley
13	2	11114	Bearing



Continued over page.

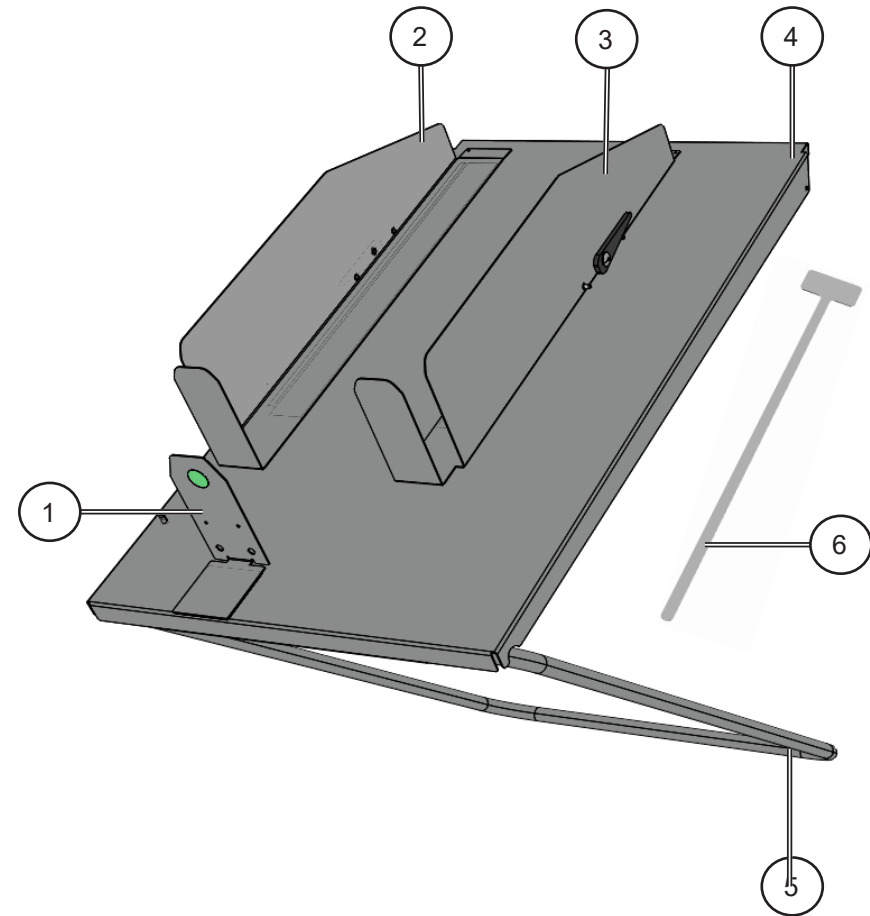
PL 28.0 Folder– Fold Delivery (continued)

Item	Qty	Part No.	Description
14	4	143-115284	Chain
15	1	101-102301	Timing Belt
16	1	14090014	Positioning Motor (M48)
17	1	140-111692	Linear Positioning Sensor (Q50)
18	1	14090003	Drive Motor (M47)
19	1	140-111896	Optical Sensor (Q54)
20	1	960-107077	LED PCB Lamp (Lamp1)
21	1	143-113951-63	End Cover
22	1	14290024	Conveyor Cover
23	1	14290025	Crease Exit Paper Guide
24	1	143-116360-63	Delivery Cover Non-Operator Side
25	1	143-116359-63	Delivery Cover Operator Side
26	1	143-116367-63	Delivery Motor Cover
27	1	143-113961-63	Side Cover Non-Operator Side
28	1	143-113960-63	Side Cover Operator Side



PL 29.0 Folder– Crease Delivery

Item	Qty	Part No.	Description
1	1	14290026	Backstop
2	1	14290027	Paper Side Guide Right
3	1	14290028	Paper Side Guide Left
4	1	143-113943-63	Crease Delivery Bed
5	1	16-029-02-63	Crease Delivery Bed Support
6	1	339-14-01	Guide Tongue



PL 30.0 Folder - Wire Harnesses

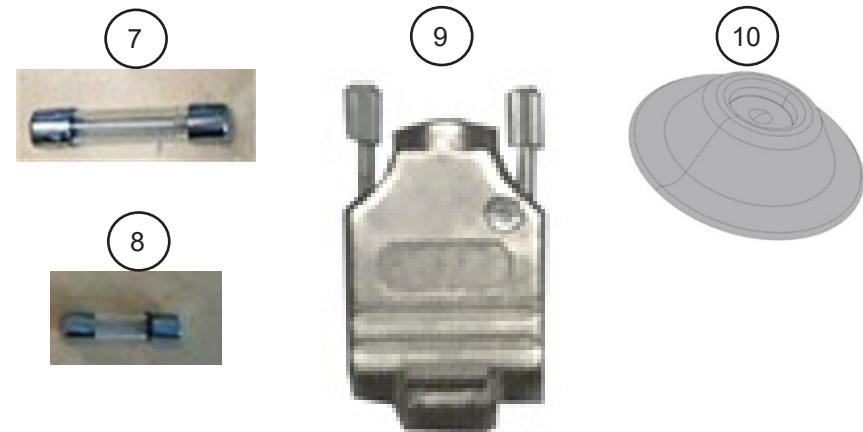
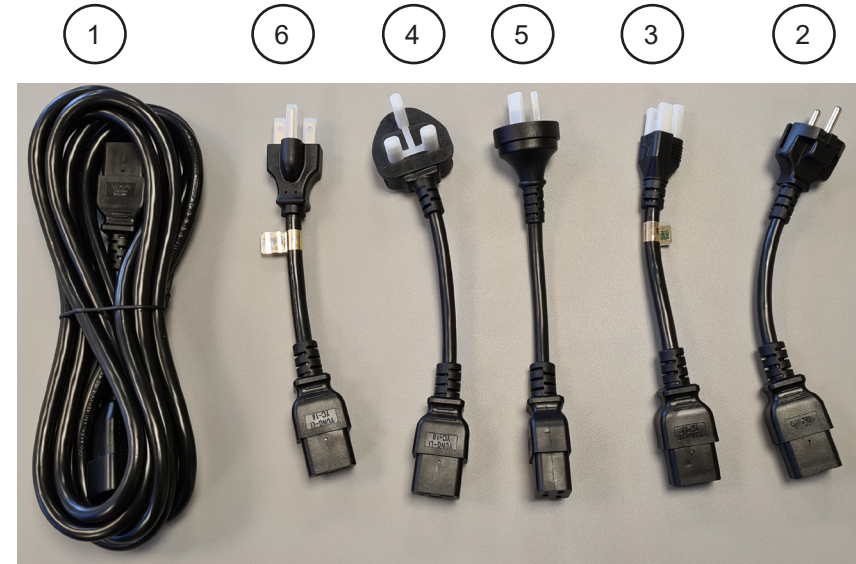
Item	Qty	Part No.	Description	Connections / Reference Numbers
1	1	140-112195	HARNESS 1ZHR3P TO 1McF6PM 560	Chassis Connectors (P206) Sensors (Q25)
2	1	143-115534	HARNESS FOLDER MOTORS ROLLER	Chassis Connectors (P302) (J312) (J314) GND GND2 Motors (M47)
3	1	143-115535	HARNESS FOLDER SENSORS ROLLER	Chassis Connectors (P304) (P316) GND Sensor (Q50) (Q54) (LAMP101)
4	1	143-116418	HARNESS M-LITE FOLDER A5 ROLLER	Chassis Connectors (P312) (P314) (J316) GND1 GND2 Motors (M48) (M49) Solenoid (SOL42) Switch (SW45,1) (SW45,2)
5	1	143-115530	HARNESS M-LITE FOLDER MOTOR	Chassis Connectors (J302) GND PCB B (B,P7) PCB H (H,P7) PCB K (K,P7) (K,P8) PCB MM (MM,P8) (MM,P10) Motor (M41) (M45) (M46) (M50)
6	1	143-115531	HARNESS M-LITE FOLDER 24V 55V	Chassis Connectors (P110) (P308) (P310) PCB B (B,P9) PCB C (C,P9) PCB D (D,P9) PCB E (E,P9) PCB H (H,P9) (H,P11) PCB K (K,P9) PCB MM (MM,P9) Fan (FAN8) (FAN9)

PL 30.0 Folder - Wire Harnesses (continued)

Item	Qty	Part No.	Description	Connections / Reference Numbers
7	1	143-115532	HARNESS M-LITE FOLDER SENSOR	Chassis Connectors (J304) (J305) (J306) (J310) GND PCB A (A,P1) (A,P2) (A,P3) (A,P4) PCB C (C,P1) (C,P3) PCB D (D,P1) (D,P3) PCB E (E,P1) (E,P3) PCB K (K,P3) PCB MM (MM,P3) Fan (FAN8) (FAN9) Solenoid (SOL41) Sensor (Q40) (Q41) (Q42) (Q45) (Q47) (Q48) (Q49) (Q51) Switch (SW42,3) (SW42,4)
8	1	143-115533	HARNESS M-LITE FOLDER IXCAN	Chassis Connectors (P24) (J12) (J23) GND PCB A (A,P6) (A,P7) (A,P8) (A,P10) PCB B (B,P5) (B,P6) PCB C (C,P5) PCB D (D,P5) (D,P6) PCB E (E,P5) (E,P6) PCB H (H,P5) (H,P6) PCB K (K,P5) (K,P6) PCB MM (MM,P5) (MM,P6) Switch (SW41,1) (SW41,2)
9	1	130-109984	HARNESS Q52LED FOLDER	Chassis Connectors (P305) Sensor (Q52LED)
10	1	130-109985	HARNESS Q52PHT FOLDER	Chassis Connectors (P306) Sensor (Q52PHT)

Accessories

Item	Qty	Part No.	Description
	1	12800014	Universal Power Cord Kit C19 (items 1-6)
1	1	26220	Power cord IEC-C19/C20 4.2m
2	1	N/A	Power cord EUR/IEC-C19 80mm
3	1	N/A	Power cord NEMA 6-15 80mm
4	1	N/A	Power cord UK/IEC-C19 80mm
5	1	N/A	Power cord AUS/IEC-C19 80mm
6	1	N/A	Power cord NEMA 5-15 80mm
7	1	128-110186	Fuse T12A 6.3x32 mm (for 100-140 V ac)
8	1	88557	Fuse T6.3A 5x20 mm (for 140-240 V ac)
9	1	92509	CAN termination plug
10	4/8	131-108802	Machine foot



Special Tools

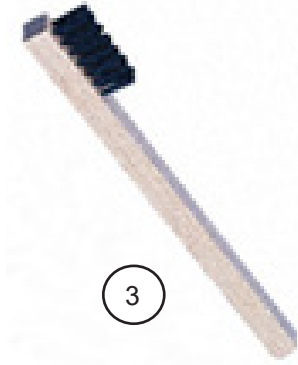
Item	Qty	Part No.	Description
1	2	142-115551	Multi-purpose wrench
2	1	601-185	Sensor cleaning brush
3	1	601-118	Roller cleaning brush
4	1	399-014-01	Calibration strip for ultrasonic double sheet detector (Q10)
5	1	95177	Interlock cheater
6	1	960-108436	USB to STM32F dongle
7	1	960-110000	Harness SW load adapter 16/8p
8	1	143-116793	Fold Knife Setting Tool
9	3	608-011	Shoulder Bolt



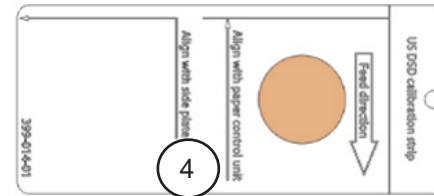
1



2



3



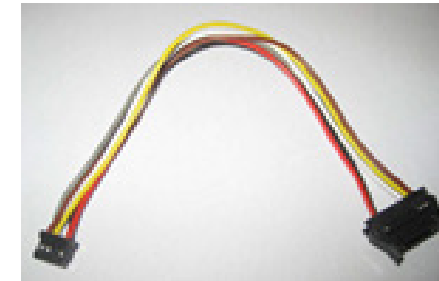
4



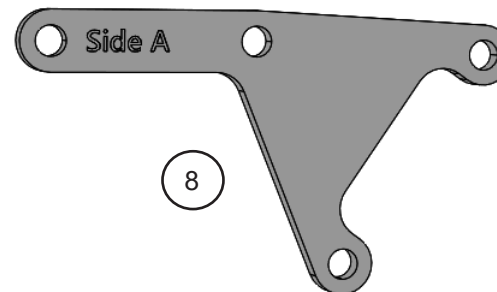
5



6



7



8



9