

# FORMAX<sup>®</sup>

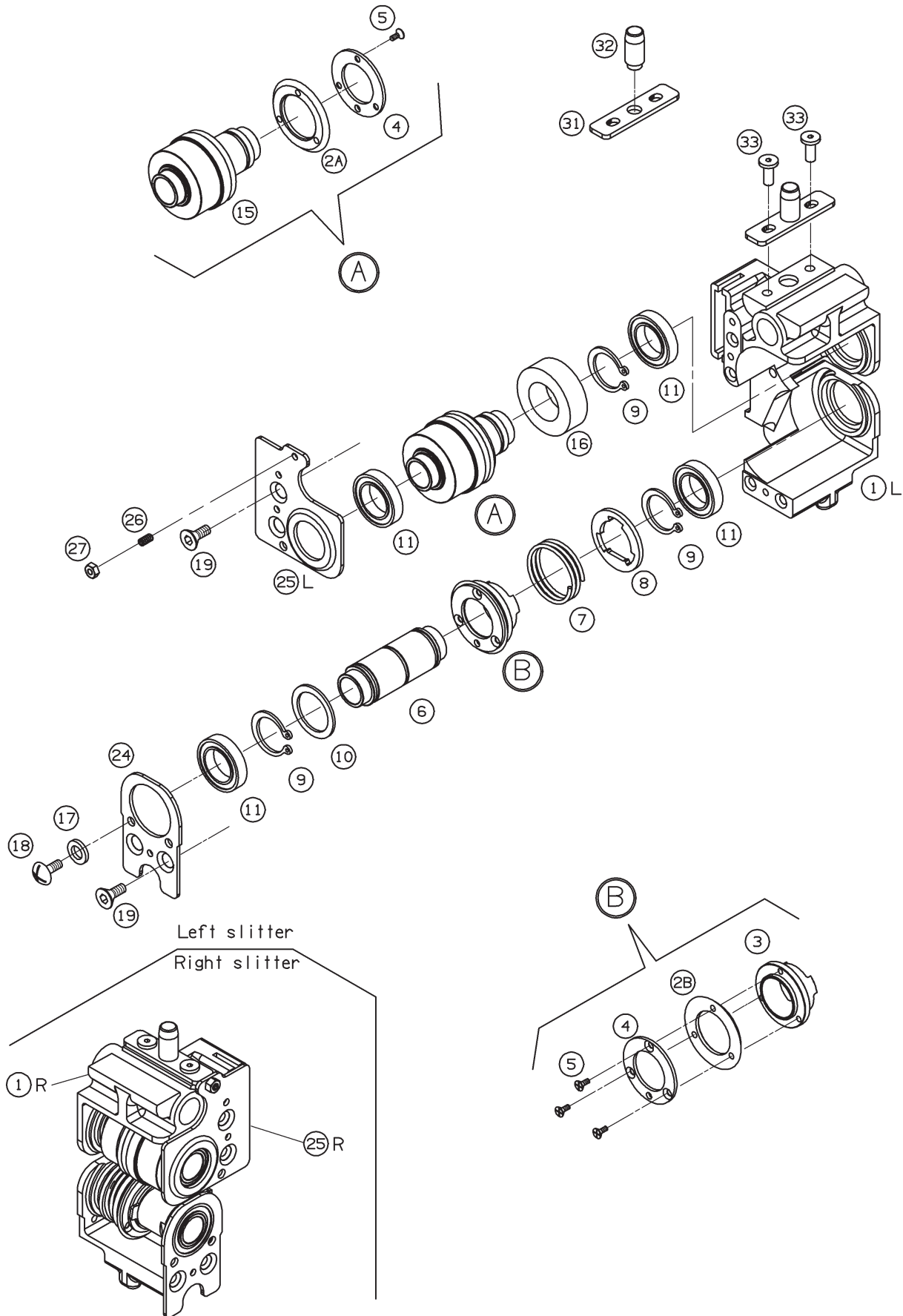
---

Atlas-TRIO15  
Multi-Function Slitter/Creaser/Cutter

## Contents

1	Margin slitter/	3
2	Gutter slitter/	5
3	Frame/	8
4	Paper feed 1/	11
5	Paper feed 2/	13
6	Paper feed 3/	15
7	Paper feed 4/	18
8	Feed table 1/	20
9	Origin sensor/	22
10	Slitter section/	24
11	Guillotine/	27
12	Creaser/	29
13	Crease upper unit/	32
14	Driving system 1/	34
15	Driving system 2/	37
16	Electric panel/	39
17	Electric parts/	41
18	Exterior 1/	43
19	Exterior 2/	46
20	Accessories/	48
21	Packing/	50

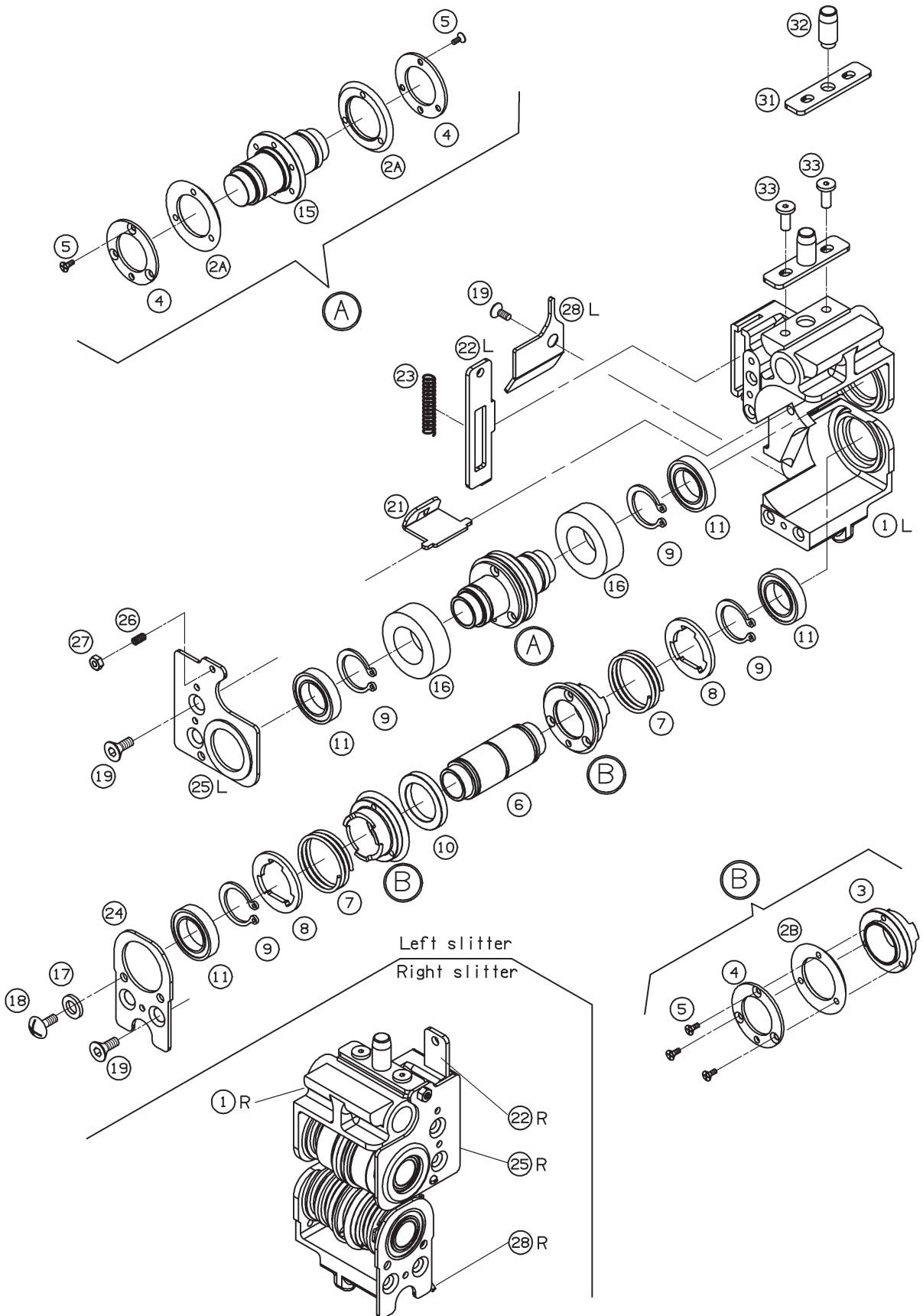
1 Margin slitter/



1 Margin slitter/
-------------------

No.	Parts name	Parts No.	Qty		Remarks	Rec
			R	L		
A	Slitter blade ASSY (Margin, Upper)	7707-8001	1	1		
B	Slitter blade ASSY (Lower)	7707-8003	1	1		
1R	Slitter block (R)	13-412	1			
1L	Slitter block (L)	13-411		1		
2A	Slitter blade	61-051	1	1		
2B	Slitter blade	7707-0001	1	1		
3	Slitter collar	51-591	1	1		
4	Slitter plate	51-593	2	2		
5	Countersunk head screw	03-577	6	6	M2. 5x6	
6	Slitter lower shaft	7701-0270	1	1		
7	Spring	60-199	1	1		
8	Lock washer	7701-0261	1	1		
9	Retaining Rings-C	65-508	3	3	#18	
10	Plain washer	7701-1273	1	1	18x24x1. 2	
11	Ball bearing	80-431	4	4		
15	Slitter upper shaft	7707-0270	1	1		
16	Collar	7703-0274	1	1		
17	Plain washer	09-424	2	2	M4x10x0. 8	
18	Truss head screw	02-837	2	2	M4x5	
19	Hexagon socket countersunk head screw	08-493	4	4	M4x8	
24	Lower Slitter lid	7703-0252	1	1		
25R	Upper Slitter lid (R)	7726-0258	1			
25L	Upper Slitter lid (L)	7726-0255		1		
26	Hexagon socket set screw	08-347	1	1	M3x6	
27	Hexagon nut	09-053	1	1	M3	
31	Slitter pin plate	7726-0254	1	1		
32	Slitter pin	7726-0256	1	1		
33	Hexagon socket head cap screw (low head)	08-548	2	2	M4x10	

2 Gutter slitler

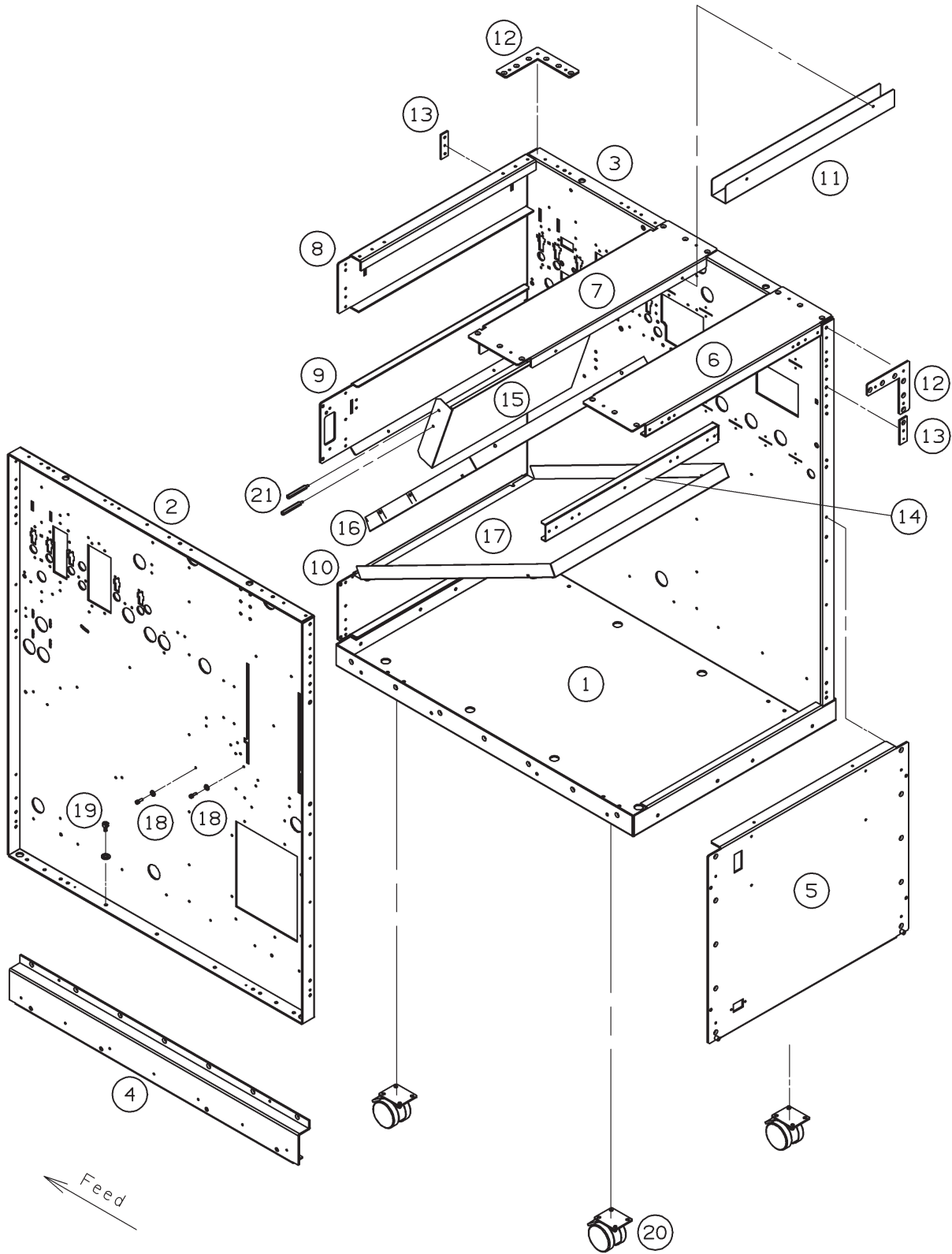


2 Gutter slitter
------------------

No.	Parts name	Parts No.	Qty		Remarks	Rec
			R	L		
A	Slitter blade ASSY (Gutter, Upper)	7707-8002	1	1		
B	Slitter blade ASSY (Lower)	7707-8003	2	2		
1R	Slitter block (R)	13-412	1			
1L	Slitter block (L)	13-411		1		
2A	Slitter blade	61-051	2	2		
2B	Slitter blade	7707-0001	2	2		
3	Slitter collar	51-591	2	2		
4	Slitter plate	51-593	4	4		
5	Countersunk head screw	03-577	12	12	M2. 5x6	
6	Slitter lower shaft	7701-0270	1	1		
7	Spring	60-199	2	2		
8	Lock washer	7701-0261	2	2		
9	Retaining Rings-C	65-508	4	4	#18	
10	Collar	7701-1274	1	1	18x26	
11	Ball bearing	80-431	4	4		
15	Slitter upper shaft	7707-0271	1	1		
16	Collar	7703-0274	2	2		
17	Plain washer	09-424	2	2	M4x10x0. 8	
18	Truss head screw	02-837	2	2	M4x5	
19	Hexagon socket countersunk head screw	08-493	5	5	M4x8	
21	Margin plate	7726-0241	1	1		
22R	Margin shaft (R)	7726-0246	1			
22L	Margin shaft (L)	7726-0245		1		
23	Spring	60-213	1	1		
24	Lower Slitter lid	7703-0252	1	1		
25R	Upper Slitter lid (R)	7726-0258	1			
25L	Upper Slitter lid (L)	7726-0255		1		
26	Hexagon socket set screw	08-347	1	1	M3x6	
27	Hexagon nut	09-053	1	1	M3	
28R	Waste remover (R)	7703-0267	1			
28L	Waste remover (L)	7703-0266		1		

31	Slitter pin plate		7726-0254	1	1		
32	Slitter pin		7726-0256	1	1		
33	Hexagon socket head cap screw (low head)		08-548	2	2	M4x10	

3 Frame/



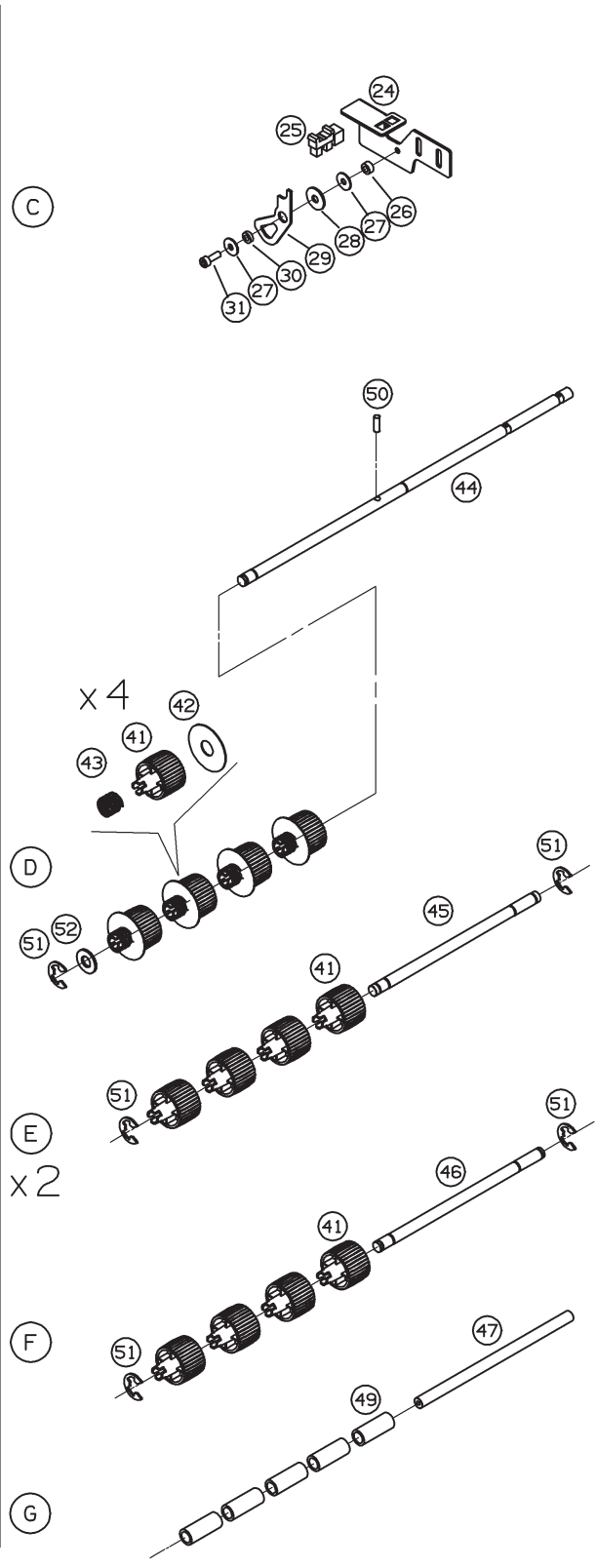
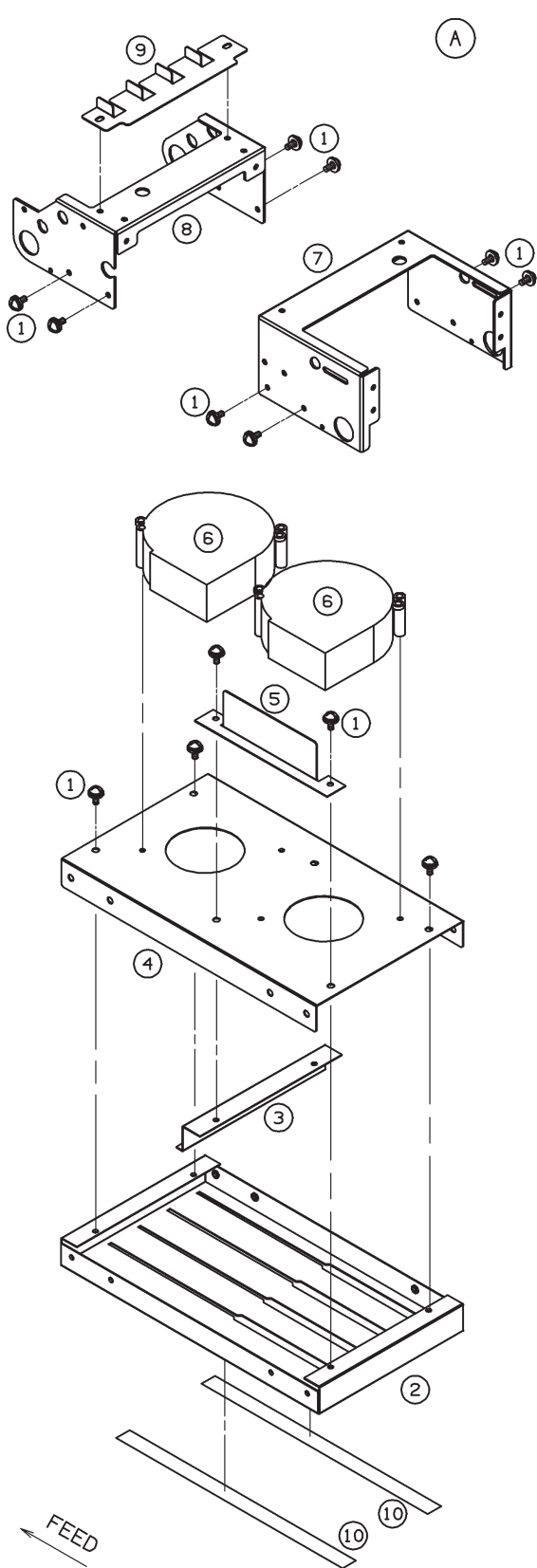


3 Frame
---------

No.	Parts name		Parts No.	Qty	Remarks	Rec
1	Frame		7707-0701	1		
2	Frame		7707-0703	1		
3	Frame		7707-0704	1		
4	Frame		7707-0708	2		
	Hexagon socket countersunk head screw		08-493	28	M4x8	
5	Frame		7707-0713	1		
	Hexagon socket countersunk head screw		08-493	10	M4x8	
	Spacer		73-974	2	4x8	
	Hexagon socket head cap screw		08-231	2	M4x12	
6	Frame		7707-0712	1		
	Hexagon socket countersunk head screw		08-493	6	M4x8	
7	Frame		7707-0732	1		
	Hexagon socket countersunk head screw		08-493	6	M4x8	
8	Frame		7707-0707	1		
	Hexagon socket countersunk head screw		08-493	6	M4x8	
9	Frame		7707-0727	1		
	Hexagon socket countersunk head screw		08-493	6	M4x8	
10	Frame		7707-0716	1		
	Hexagon socket countersunk head screw		08-493	6	M4x8	
	Spacer		73-974	2	4x8	
	Hexagon socket head cap screw		08-231	2	M4x12	
11	Cover		7707-0724	1		
	Sems screw		05-996	2	M4x8+SW+W	
12	Cover spacer		7707-0705	4		

	Hexagon socket countersunk head screw		08-493	24	M4x8	
13	Cover spacer		7711-0710	4		
	Hexagon socket countersunk head screw		08-493	4	M4x8	
14	Frame		7707-0130	1		
	Bracket		7726-0627	2		
	Sems screw		05-996	6	M4x8+SW+W	
15	Slope		7707-0715	1		
16	Slope		7707-0717	1		
	Sems screw		05-996	4	M4x8+SW+W	
17	Slope		7707-0718	1		
	Bracket		7726-0627	2		
	Sems screw		05-996	8	M4x8+SW+W	
18	Hexagon socket head cap screw		08-231	4	M4x12	
	Spring lock washer		09-385	4	M4	
19	Hexagon socket head cap screw		08-254	14	M6x10	
	Spring lock washer		09-387	14	M6	
20	Caster		60-480	4		
	Hexagon socket head cap screw		08-998	16	M6x20+SW	
21	Hexagon head screw		73-987	3	L50	
	Sems screw		05-996	3	M4x8+SW+W	
	Hexagon nut		09-054	3	M4	

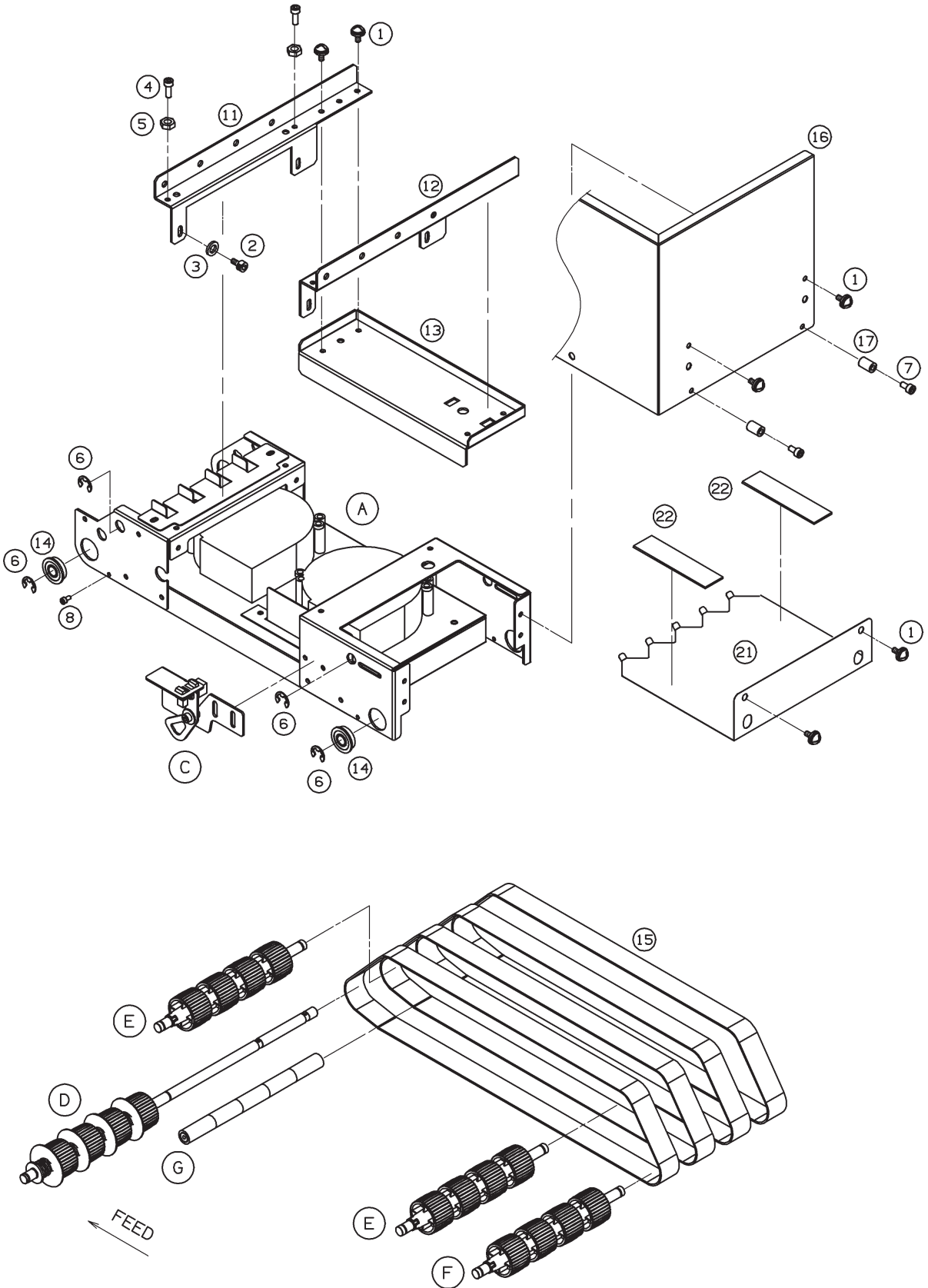
4 Paper feed 1/






4 Paper feed 1/
-----------------

No.	Parts name		Parts No.	Qty	Remarks	Rec
1	Sems screw		05-996	14	M4x8+SW+W	
2	Suction box		7703-0182	1		
3	Partition plate		7703-0193	1		
4	Suction box		7703-0181	1		
5	Partition plate		7703-0180	1		
6	Fan motor		72-872	2		
	Pan head screw		00-370	4	M4x40	
	Spring lock washer		09-385	4	M4	
7	Suction box holder		7703-0192	1		
8	Suction box holder		7703-0191	1		
9	Belt guide		7703-0189	1		
	Sems screw		05-996	2	M4x8+SW+W	
10	Tape		82-363	2		
24	Sensor bracket		7703-0102	1		
25	Sensor		72-384	1		
26	Spacer		73-978	1	4x4	
27	Plain washer		09-433	2	M4x13x1	
28	Plain washer		09-719	1	M8x18x0.6	
29	Sensor plate		7703-0161	1		
30	Spacer		73-977	1	4x2.5	
31	Hexagon socket head cap screw		08-231	1	M4x12	
41	Pulley		51-597	16		
42	Flange		7703-0194	4		
43	Spring		83-350	4	D16xL15x1.3	
44	Shaft		7707-0146	1		
45	Shaft		7703-0148	2		
46	Shaft		7703-0147	1		
47	Shaft		7703-0149	1		
49	Roller		73-933	5		
50	Pin		65-641	1	D4x16	
51	Retaining ring-E		65-412	7	#7	
52	Plain washer		09-427	1	M8x18x1.6	

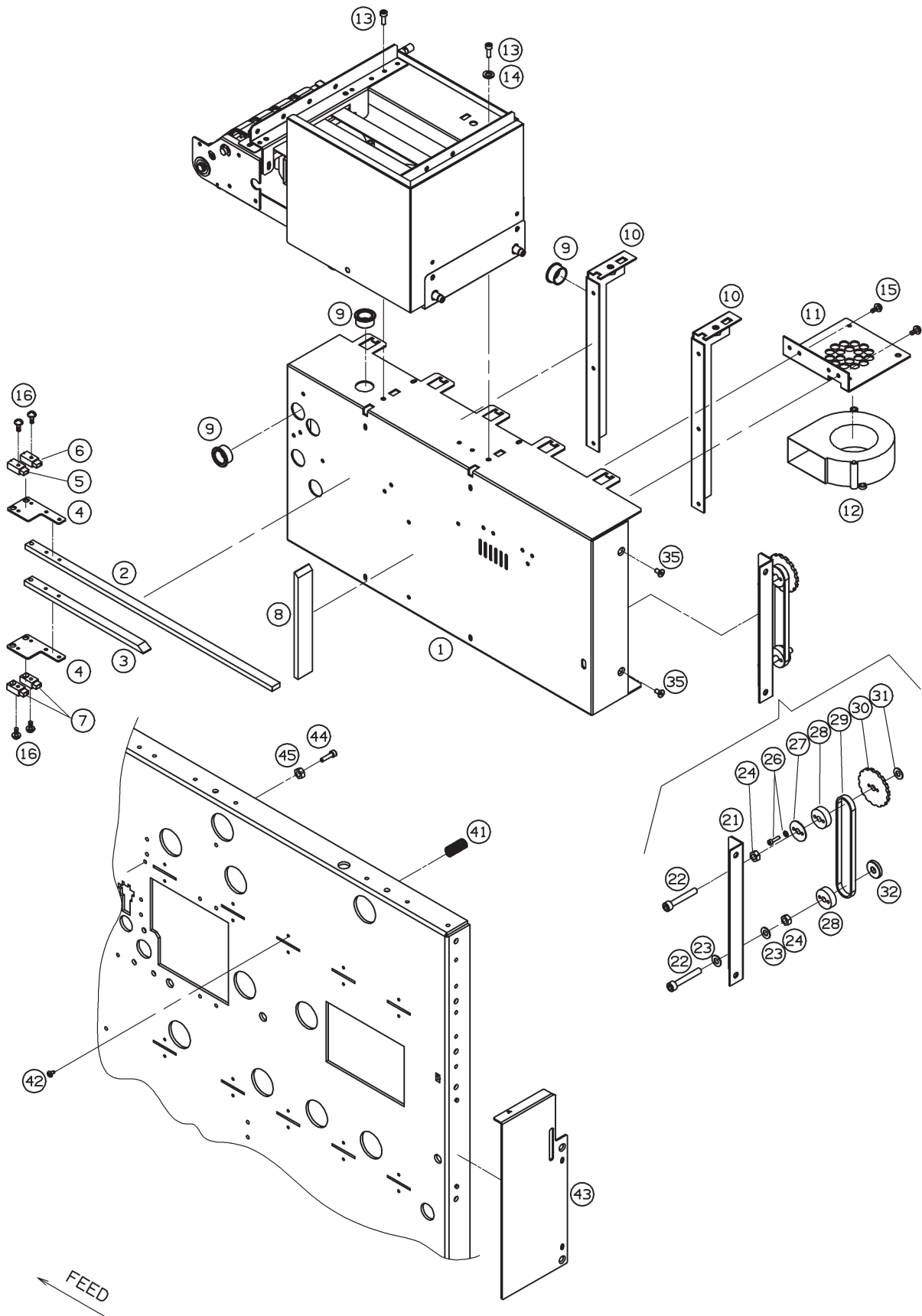
5 Paper feed 2/



5 Paper feed 2/
-----------------

No.	Parts name		Parts No.	Qty	Remarks	Rec
A	Suction box			1	 P. 11	
C	Sensor			1	 P. 11	
	Sems screw		05-996	2	M4x8+SW+W	
D	Pulley			1	 P. 11	
E	Pulley			2		
F	Pulley			1		
G	Pulley			1		
1	Sems screw		05-996	8	M4x8+SW+W	
2	Hexagon socket head cap screw		08-229	4	M4x8	
3	Plain washer		09-424	4	M4x10x0.8	
4	Hexagon socket head cap screw		08-235	4	M4x25	
5	Hexagon nut		09-054	4	M4	
6	Retaining ring-E		65-412	8	#7	
7	Hexagon socket head cap screw		08-231	2	M4x12	
	Hexagon nut		09-054	2	M4	
8	Hexagon socket head cap screw		08-215	2	M3x6	
11	Stay		7703-0196	1		
12	Stay		7703-0197	1		
13	Stay		7703-0195	1		
14	Ball bearing		80-416	4		
15	Paper feed belt		80-718	4		
16	Cover		7707-0184	1		
17	Spacer		73-974	2	4x8	
21	Cover		7707-0179	1		
22	Magnet		60-956	2		

6 Paper feed 3/



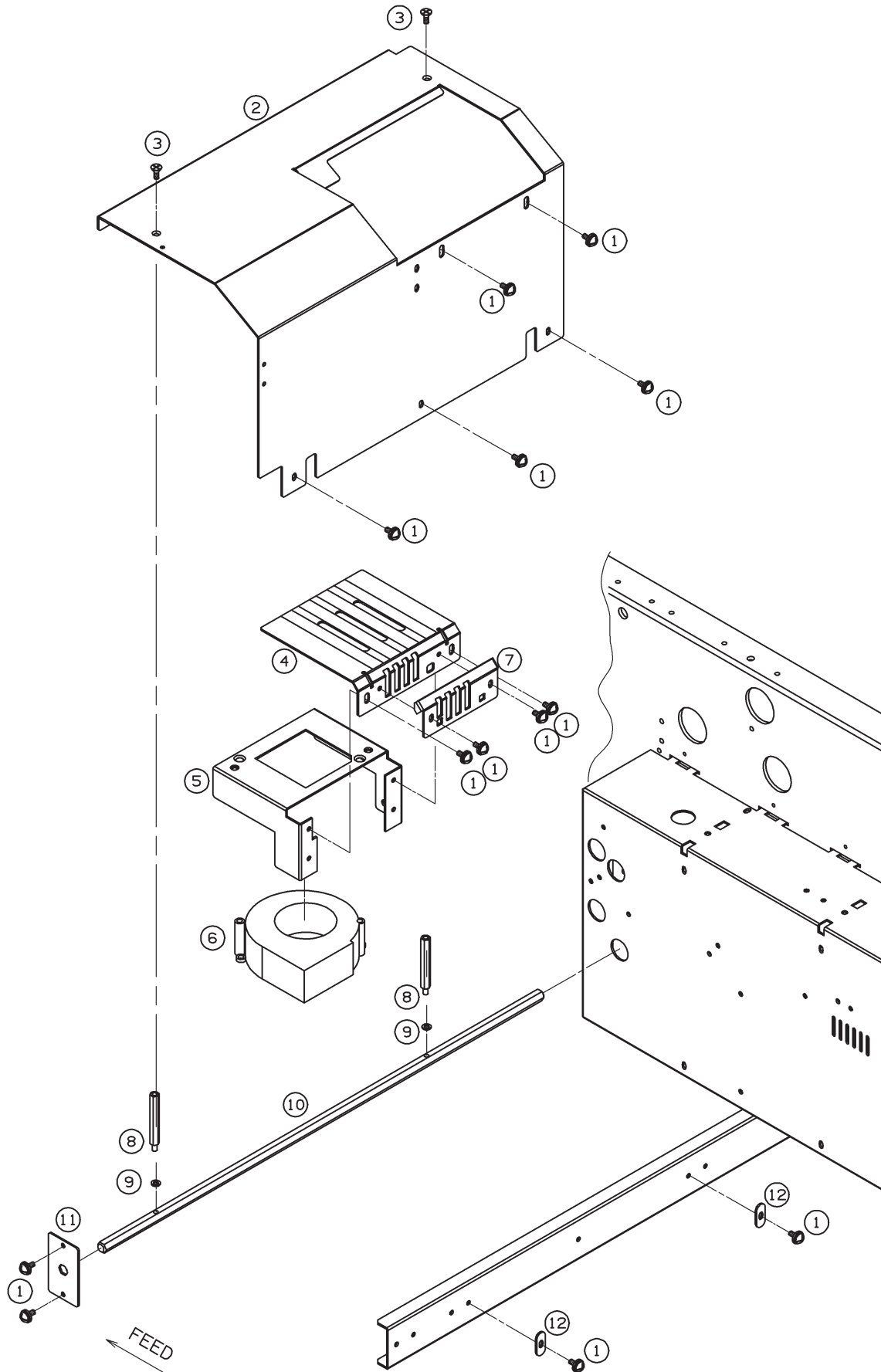
6 Paper feed 3
----------------

No.	Parts name		Parts No.	Qty	Remarks	Rec
1	Feed guide		7707-0174	1		
2	Feed guide rail		7703-0142	1		
	Hexagon socket head cap screw		08-229	4	M4x8	
3	Feed guide rail		7703-0141	1		
	Hexagon socket head cap screw		08-229	2	M4x8	
4	Sensor bracket		7703-0190	2		
	Sems screw		05-976	4	M3x5+SW+W	
5	Sensor (Detector)		72-387	1	4pin	
6	Sensor (Detector)		72-390	1	3pin	
7	Sensor (Emitter)		72-389	2		
8	Feed guide		7703-0126	1		
	Hexagon socket head cap screw		08-229	2	M4x8	
9	Bush		72-283	3		
10	Stay		7707-0123	2		
	Sems screw		05-996	6	M4x8+SW+W	
11	Motor bracket		7703-0127	1		
12	Fan motor		72-872	1		
	Pan head screw		00-370	2	M4x40	
	Spring lock washer		09-385	2	M4	
13	Hexagon socket head cap screw		08-231	2	M4x12	
14	Plain washer		09-433	1	M4x13x1	
15	Sems screw		05-996	2	M4x8+SW+W	
16	Sems screw		05-885	4	M3x10+SW	
21	Bracket		7703-0120	1		
22	Hexagon socket head cap screw		08-262	2	M6x40	
23	Plain washer		09-426	2	M6x13x1	
24	Hexagon nut		09-056	2	M6	
26	Hexagon socket head cap screw		08-218	2	M3x12	



	Spring lock washer		09-384	2	M3	
27	Flange		7703-0122	1		
28	Pulley		80-648	2		
29	Belt		82-566	1	L288	
30	Dial		7703-0124	1		
31	Plain washer		09-731	1	M6x13x1 Plastic	
32	Plain washer		48-806	1	M6x20x4	
35	Hexagon socket countersunk head screw		08-493	2	M4x8	
	Hexagon nut with washer		09-338	2	M4	
41	Spring		60-198	7	D12xL20x1.1	
42	Rivet		64-414	14		
43	Cover		7707-0186	1		
	Hexagon socket countersunk head screw		08-493	2	M4x8	
	Hexagon nut with washer		09-338	2	M4	
44	Hexagon socket head cap screw		08-232	1	M4x15	
45	Hexagon nut		09-054	1	M4	

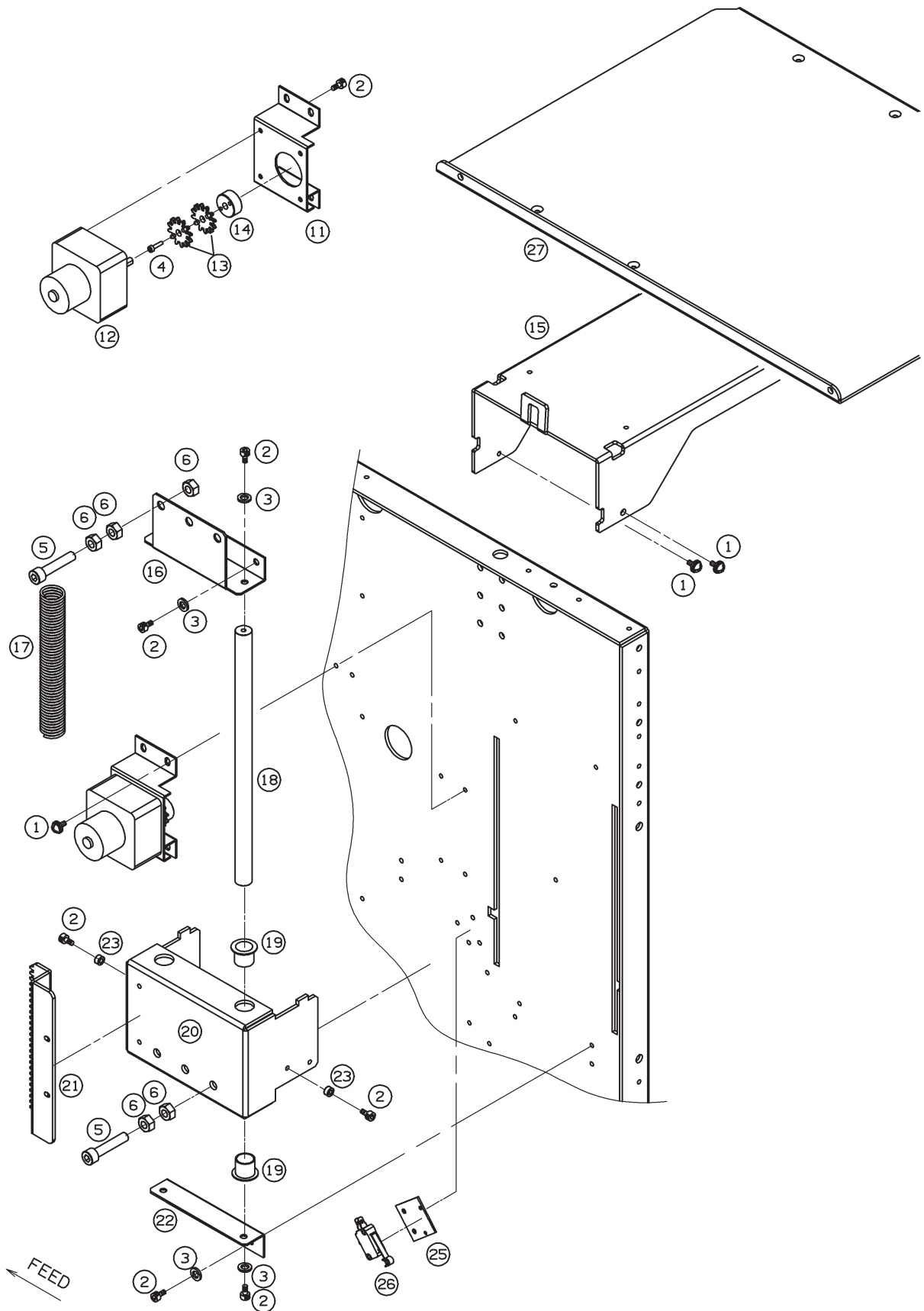
7 Paper feed 4



7 Paper feed 4/
-----------------

No.	Parts name		Parts No.	Qty	Remarks	Rec
1	Sems screw		05-996	13	M4x8+SW+W	
2	Blower base		7707-0131	1		
3	Countersunk head screw (Head size 6mm)		01-188	2	M4x8	
4	Bracket		7703-0176 82-362	1		
5	Motor bracket		7703-0175	1		
6	Fan motor		72-872	1		
	Countersunk head screw		02-026	2	M4x45	
	Spring lock washer		09-385	2	M4	
	Hexagon nut		09-054	2	M4	
7	Blower nozzle		7703-0177	1		
8	Spacer		73-987	2	M4x50	
9	Spring lock washer		09-385	2	M4	
10	Stay		7703-0133	1		
11	Bracket		7703-0132	1		
12	Adjust plate		7726-0192	2		

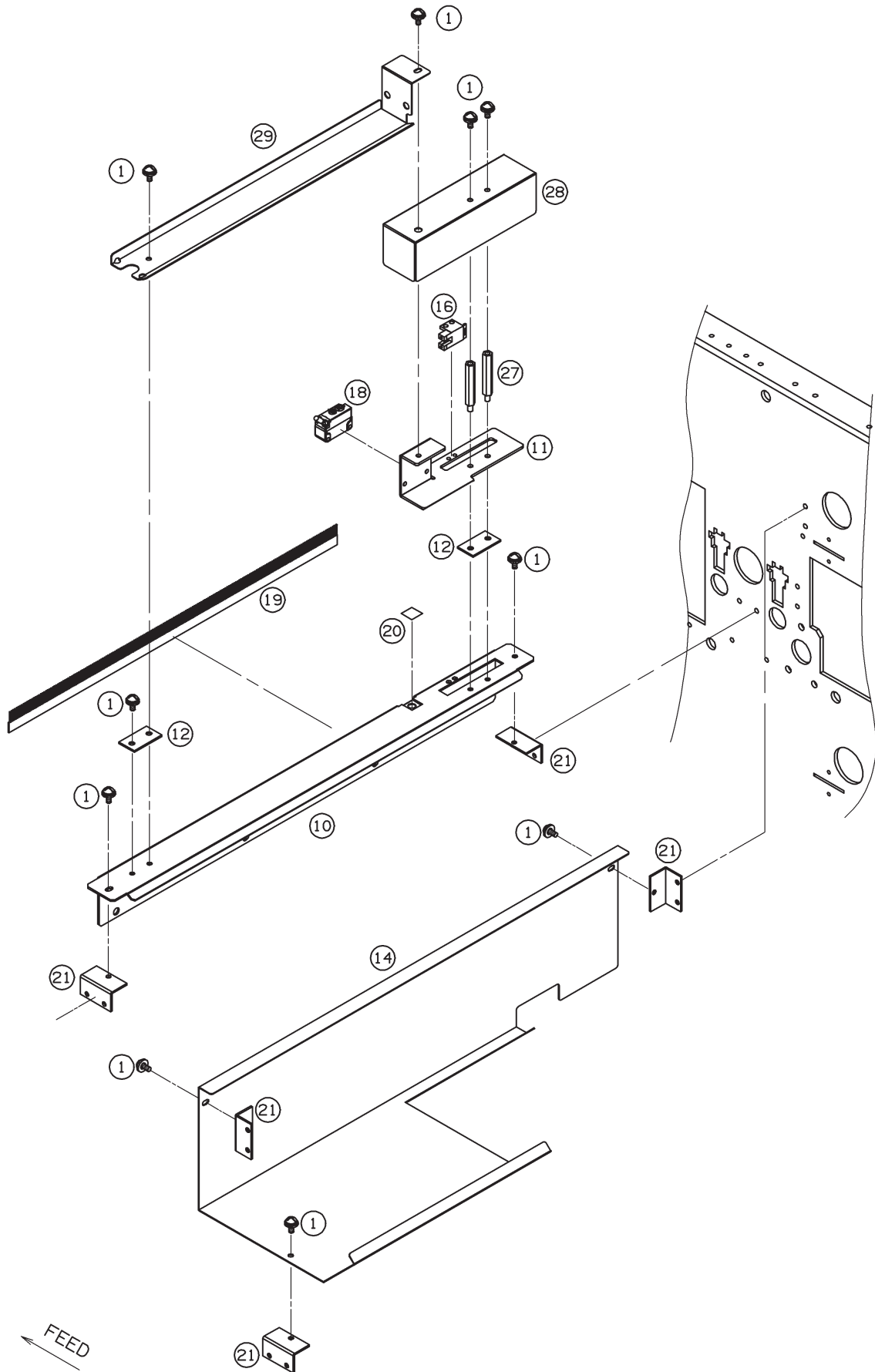
8 Feed table 1/



8 Feed table 1/
-----------------

No.	Parts name		Parts No.	Qty	Remarks	Rec
1	Sems screw		05-996	6	M4x8+SW+W	
2	Hexagon socket head cap screw		08-229	14	M4x8	
3	Plain washer		09-466	8	M4x10x1.5	
4	Hexagon socket head cap screw		08-218	2	M3x12	
5	Hexagon socket head cap screw		08-500	4	M8x40	
6	Hexagon nut		09-057	12	M8	
11	Motor bracket		7703-0137	1		
12	Motor		72-785	1		
13	Gear		7726-0113	2		
14	Gear holder		83-344	1		
	Hexagon socket set screw		08-361	2	M4x8	
15	Table stay		7707-0167	1		
16	Bracket		7703-0104	1		
17	Spring		83-329	2	D20xL150	
18	Shaft		7703-0134	2		
19	Bush		80-041	4		
20	Table stay		7703-0166	1		
21	Rack		7703-0168	1		
	Sems screw		05-996	2	M4x8+SW+W	
22	Bracket		7703-0105	1		
23	Spacer		73-978	2	4x4	
25	Cover switch stay		7703-0138	1		
	Sems screw		05-996	2	M4x8+SW+W	
26	Micro switch		72-287	1		
	Pan head screw		00-319	2	M3x15	
	Spring lock washer		09-384	2	M3	
27	Feed table		7707-0103	1		

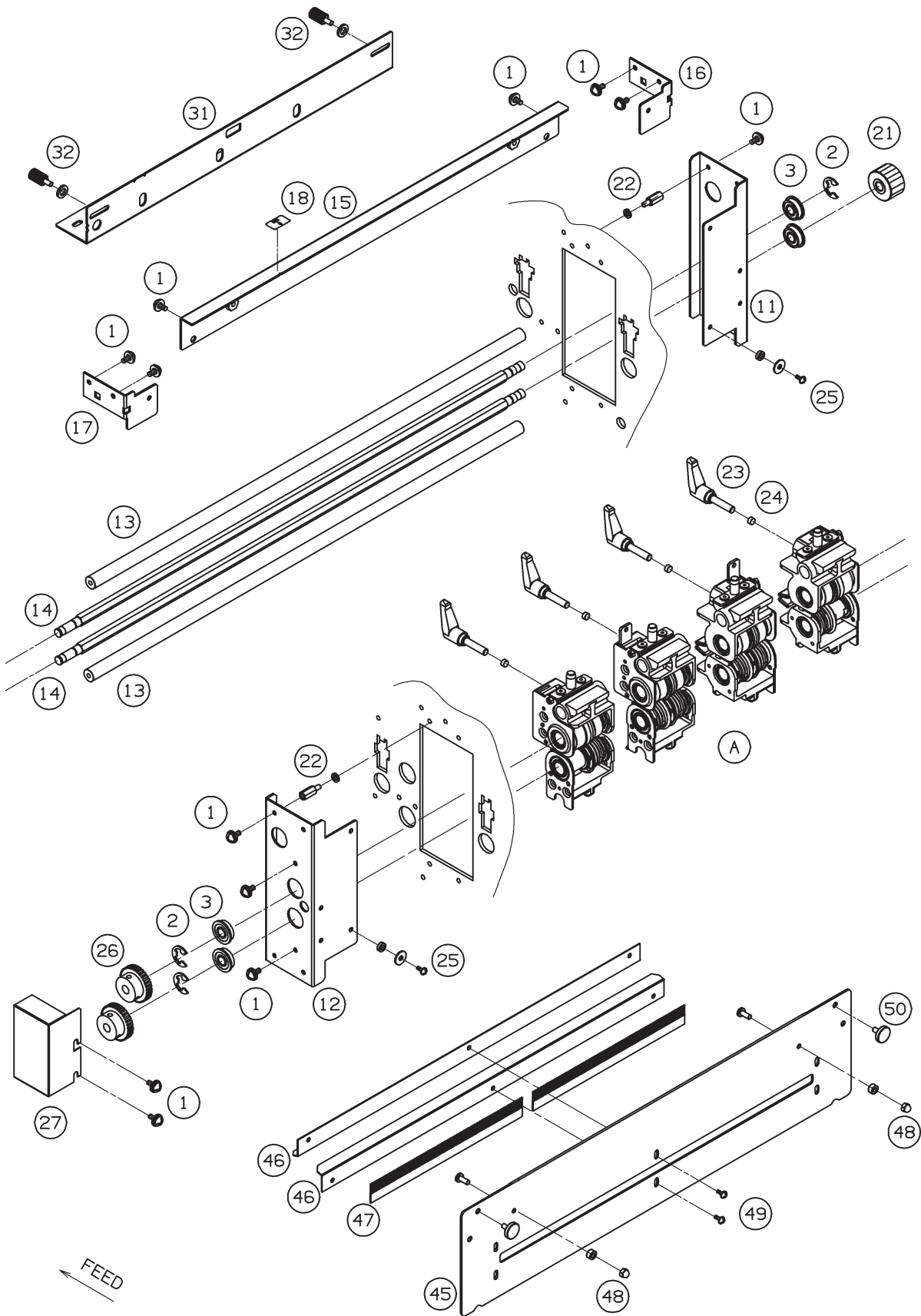
9 Origin sensor



9 Origin sensor/
------------------

No.	Parts name		Parts No.	Qty	Remarks	Rec
1	Sems screw		05-996	20	M4x8+SW+W	
10	Sensor bracket		7707-0625	1		
11	Sensor bracket		7707-0626	1		
12	Spacer		7701-0628	2		
14	Cover		7707-0155	1		
16	Origin sensor		72-289	1		
	Sems screw		05-882	2	M3x5+SW	
18	Sensor		72-493	1		
	Sems screw		05-885	2	M3x10+SW	
19	Anti-static brush		72-871	1		
20	White datum plate		7701-0643	1		
21	Bracket		7726-0627	5		
27	Spacer		73-988	2	M4x40	
28	Cover		7707-0624	1		
29	Cover		7707-0629	1		

10 Slitter section/



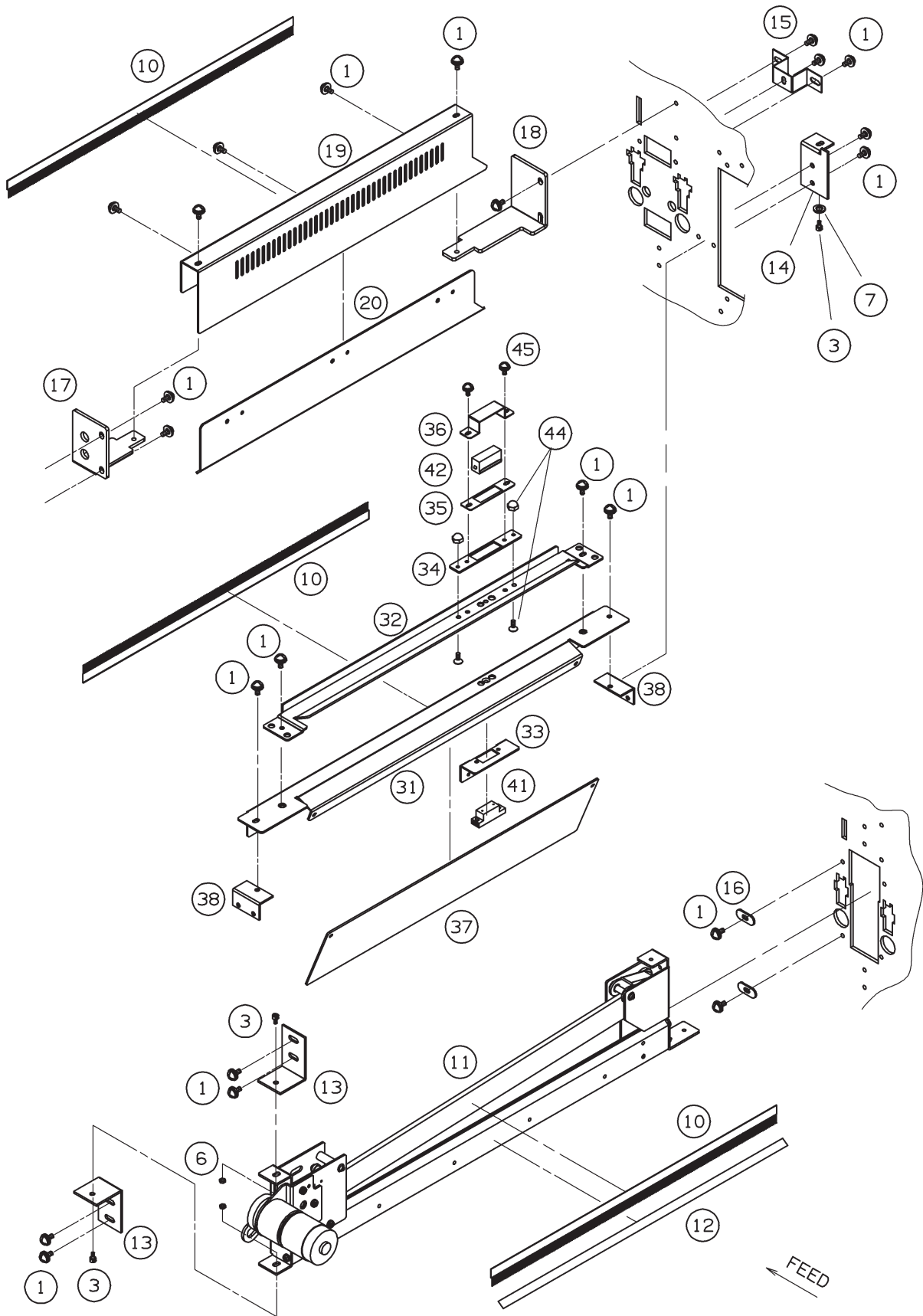


10 Slitter section
--------------------

No.	Parts name		Parts No.	Qty	Remarks	Rec
A	Slitter					
1	Sems screw		05-996	20	M4x8+SW+W	
2	Retaining ring-E		65-412	3	#7	
3	Ball bearing		80-416	4		
11	Bracket		7707-0272	1		
12	Bracket		7707-0273	1		
13	Shaft		7707-0201	2		
14	Hexagon shaft		7707-0238	2		
15	Gauge stay		7707-0240	1		
16	Bracket		7707-0241	1		
17	Bracket		7707-0242	1		
18	Label		74-395	1		
21	Pulley		80-642	1	30T	
	Hexagon socket set screw		08-361	2	M4x8	
22	Spacer		73-897	8	M4x14	
	Spring lock washer		09-385	8	M4	
23	Knob		80-144	4		
24	Screw pad		83-337	4		
25	Truss head screw		02-839	2	M4x8 Cr	
	Plain washer		09-433	2	M4x13x1	
	Spacer		73-965	2	M4x2.5	
26	Gear		80-208	2		
	Hexagon socket set screw		08-361	4	M4x8	
27	Cover		7707-0274	1		
31	Gauge					
	Label					
32	Knob		73-943	2		
	Retaining washer		60-666	2		
45	Cover		7703-0224	1		
46	Paper guide		7703-0223	2		
47	Anti-static brush		72-871	1		

48	Hexagon socket head cap screw (Special low head)		08-548	2	M4x10	
	Spacer		73-978	2	4x4	
	Domed cap nut		09-113	2	M4	
49	Truss head screw		02-837	6	M4x5	
50	Knurled head screw		09-808	2	M4x6	

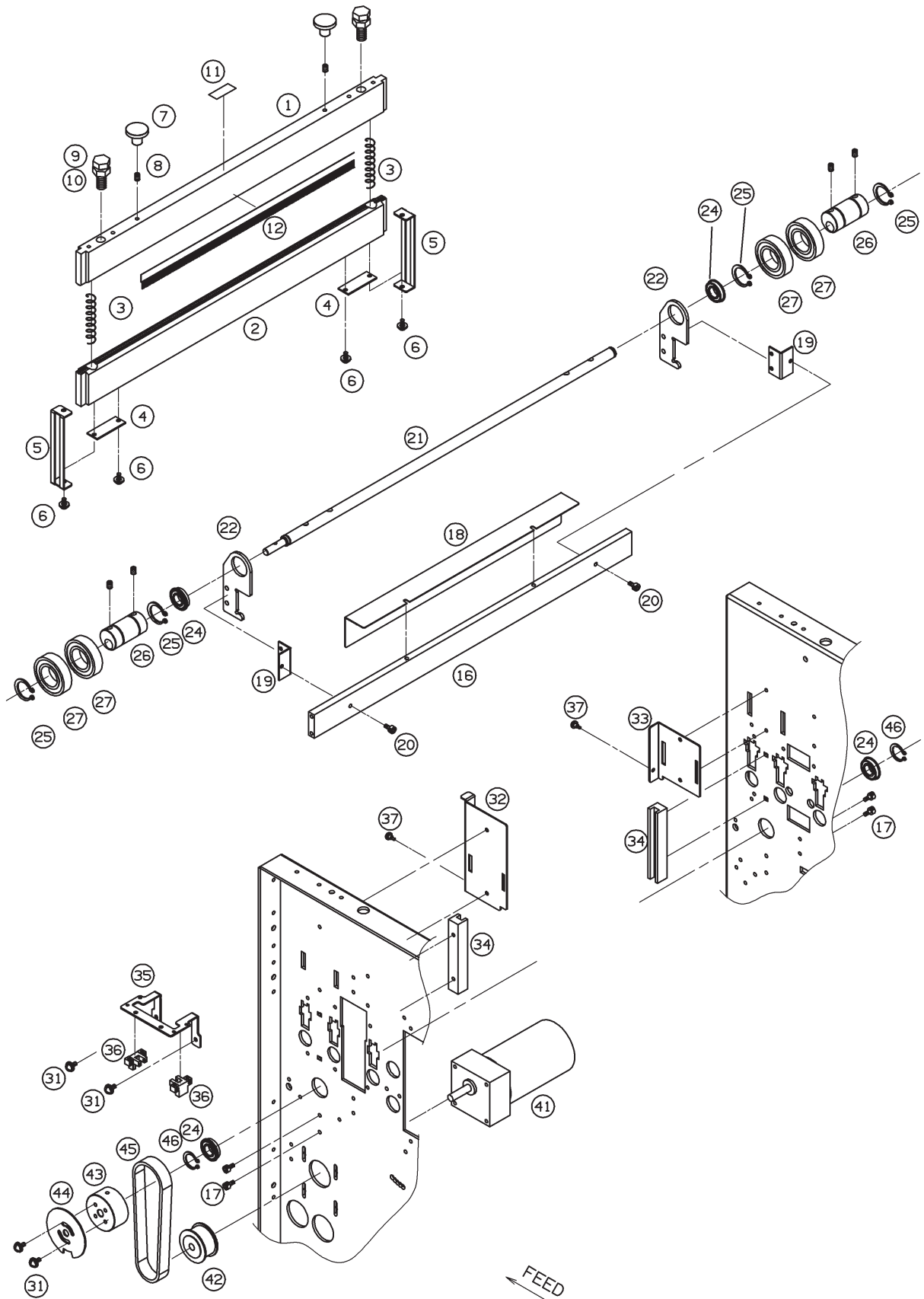
11 Guillotine/



11 Guillotine/
----------------

No.	Parts name		Parts No.	Qty	Remarks	Rec
1	Sems screw		05-996	28	M4x8+SW+W	
3	Hexagon socket head cap screw		08-229	3	M4x8	
6	Hexagon nut with washer		09-338	2	M4	
7	Plain washer		09-424	1	M4x10x0.8	
10	Anti-static brush		72-871	3		
11	Guillotine		61-045	1		
12	Tape		82-360	1		
13	Guillotine Stay		7701-0282	2		
14	Guillotine Stay		7701-0285	1		
15	Guillotine Stay		7701-0283	1		
16	Adjust plate		7726-0192	2		
17	Cover stay		7703-0286	1		
18	Cover stay		7703-0287	1		
19	Cover		7703-0689	1		
20	Cover		7703-0690	1		
31	Sensor stay		7707-0227	1		
32	Sensor stay		7707-0226	1		
33	Bracket		7707-0230	1		
	Countersunk head screw		01-964	2	M3x6	
	Hexagon nut		09-053	2	M3	
34	Bracket		7707-0228	1		
35	Bracket		7707-0231	1		
36	Bracket		7707-0229	1		
37	Cover		7707-0232	1		
	Sems screw		05-996	2	M4x8+SW+W	
38	Bracket		7726-0627	2		
41	Sensor		73-698	1		
	Sems screw		05-885	1	M3x10+SW	
42	Sensor		73-699	1		
44	Countersunk head screw		01-964	2	M3x6	
	Domed cap nut		09-112	2	M3	
45	Sems screw		05-976	2	M3x5+SW+W	

# 12 Creaser

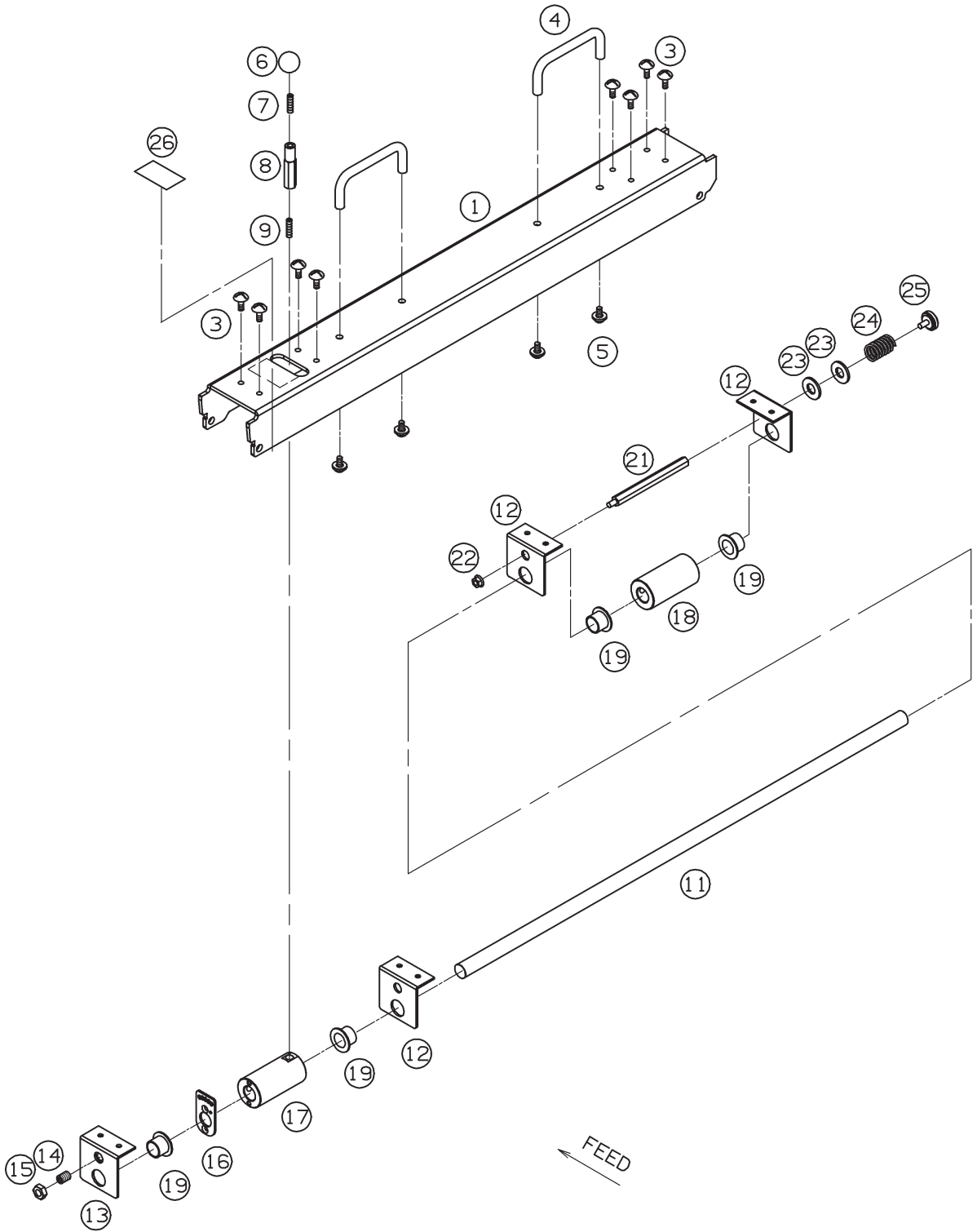


12 Creaser
------------

No.	Parts name		Parts No.	Qty	Remarks	Rec
1	Crease blade (Upper)		7701-0302	1		
2	Crease blade (Lower)		7701-0303	1		
3	Spring		83-310	2	D12xL60x1.4	
4	Crease spacer		7701-0305	2		
5	Crease hanger		7711-0305	2		
6	Sems screw		05-996	4	M4x8+SW+W	
7	Knob		60-629	2		
8	Hexagon socket set screw		08-363	2	M4x18	
9	Stopper bolt		09-960	2	M10P1x30	
10	Hexagon nut		09-048	2	M10P1	
11	Label		74-341	1		
12	Anti-static brush		72-871	1		
16	Crease stay		7707-0366	1		
17	Hexagon socket head cap screw		08-229	4	M4x8	
18	Cover		7707-0369	1		
	Hexagon socket head cap screw (Special low head)		08-205	2	M4x6	
19	Bracket		7726-0627	2		
	Sems screw		05-996	4	M4x8+SW+W	
20	Hexagon socket head cap screw		08-231	2	M4x12	
21	Crease rotation shaft		7701-0343	1		
22	Crease shaft stay		7707-0365	2		
24	Ball bearing		80-425	4		
25	Retaining Rings-C		65-514	4	#25	
26	Crease roller		7711-0347	2		
	Hexagon socket set screw		08-386	4	M6x10	
27	Ball bearing		80-415	4		
31	Sems screw		05-996	4	M4x8+SW+W	
32	Bracket		7703-0312	1		
	Truss head screw		02-839	2	M4x8 Cr	

33	Bracket		7703-0313	1		
	Truss head screw		02-839	2	M4x8 Cr	
34	Crease blade guide		7703-0341	2		
	Sems screw		05-998	4	M4x12+SW+W	
35	Sensor bracket		7703-0380	1		
36	Sensor		72-309	2		
	Sems screw		05-885	4	M3x10+SW	
37	Rubber foot		57-006	2		
41	Motor		72-774	1		
	Spring lock washer		09-385	4	M4	
	Plain washer		09-424	4	M4x10x0.8	
	Hexagon socket head cap screw		08-231	4	M4x12	
42	Pulley		83-357	1		
	Hexagon socket set screw		08-361	2	M4x8	
43	Pulley		80-734	1		
	Hexagon socket set screw		08-365	1	M4x16	
	Hexagon socket set screw		08-363	1	M4x18	
44	Crease position plate		7707-0379	1		
45	Timing belt		82-540	1	L360	
46	Retaining ring-C		65-502	2	#12	

13 Crease upper unit/

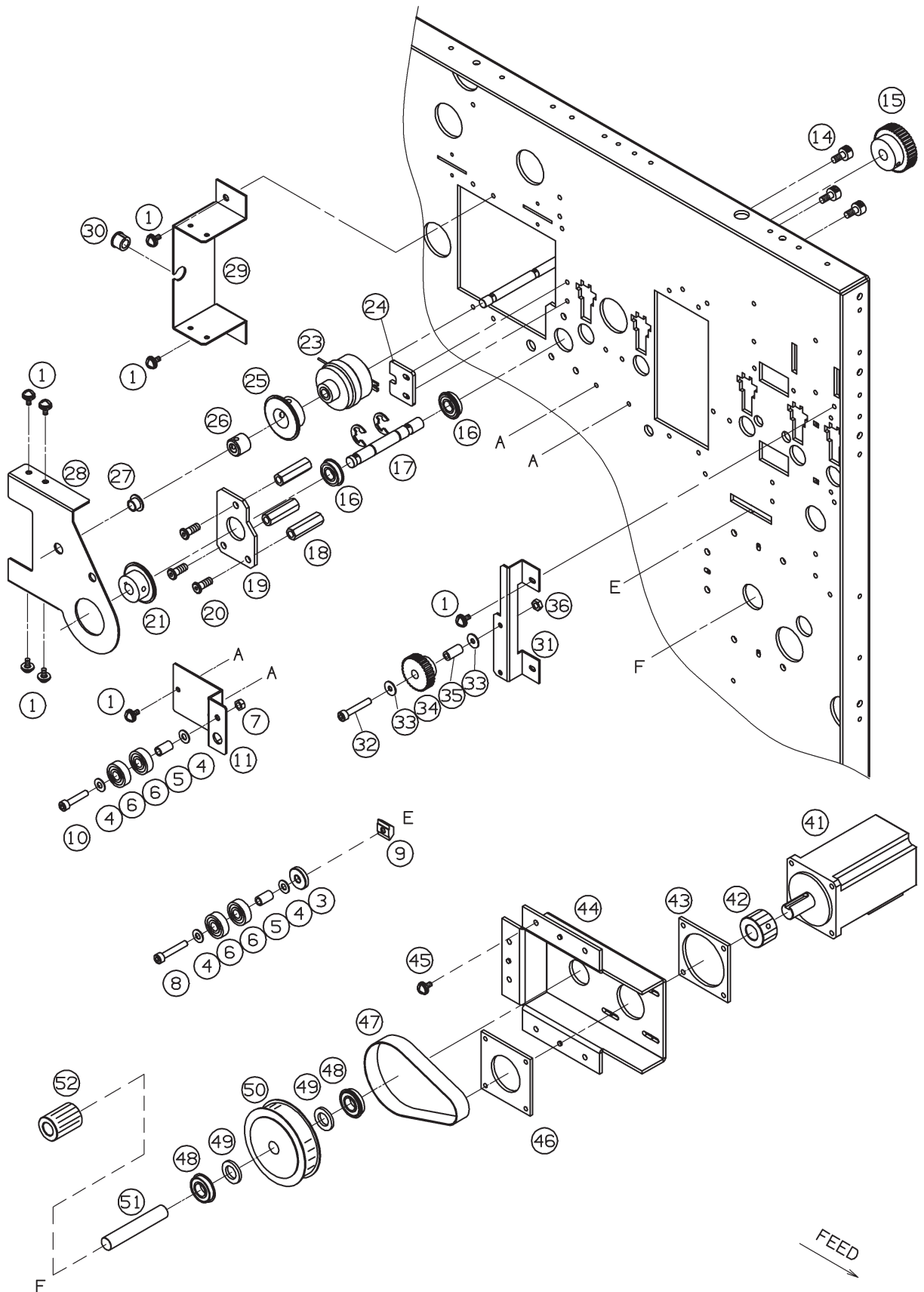




13 Crease upper unit
----------------------

No.	Parts name		Parts No.	Qty	Remarks	Rec
1	Upper stay		7703-0307	1		
3	Truss head screw		03-114	8	M4x8 BK	
4	Handle		60-699	2		
5	Sems screw		06-018	4	M5x10+SW+W	
6	Knob		80-135	1		
7	Hexagon socket set screw		08-365	1	M4x16	
8	Lever		7703-0315	1		
9	Hexagon socket set screw		08-388	1	M6x15	
11	Shaft		7703-0344	1		
12	Stay		7703-0308	3		
13	Stay with nut		7703-0306	1		
14	Ball plunger		80-164	1		
15	Hexagon nut		09-056	1	M6	
16	Adjustment bracket		7703-0309	1		
	Countersunk head screw		01-964	2	M3x6	
17	Adjustment roller A		7703-0349	1		
	Hexagon socket set screw		08-386	2	M6x10	
18	Adjustment roller B		7701-0349	1		
	Hexagon socket set screw		08-386	2	M6x10	
19	Bush		80-079	4		
21	Hexagon shaft		73-938	1		
22	Hexagon nut with washer		09-338	1	M4	
23	Plain washer		09-427	2	M8x18x1.6	
24	Spring		60-196	1	D12xL20x1.3	
25	Knurled head screw		09-809	1	M4x8	
26	Label		74-374	1		

14 Driving system 1

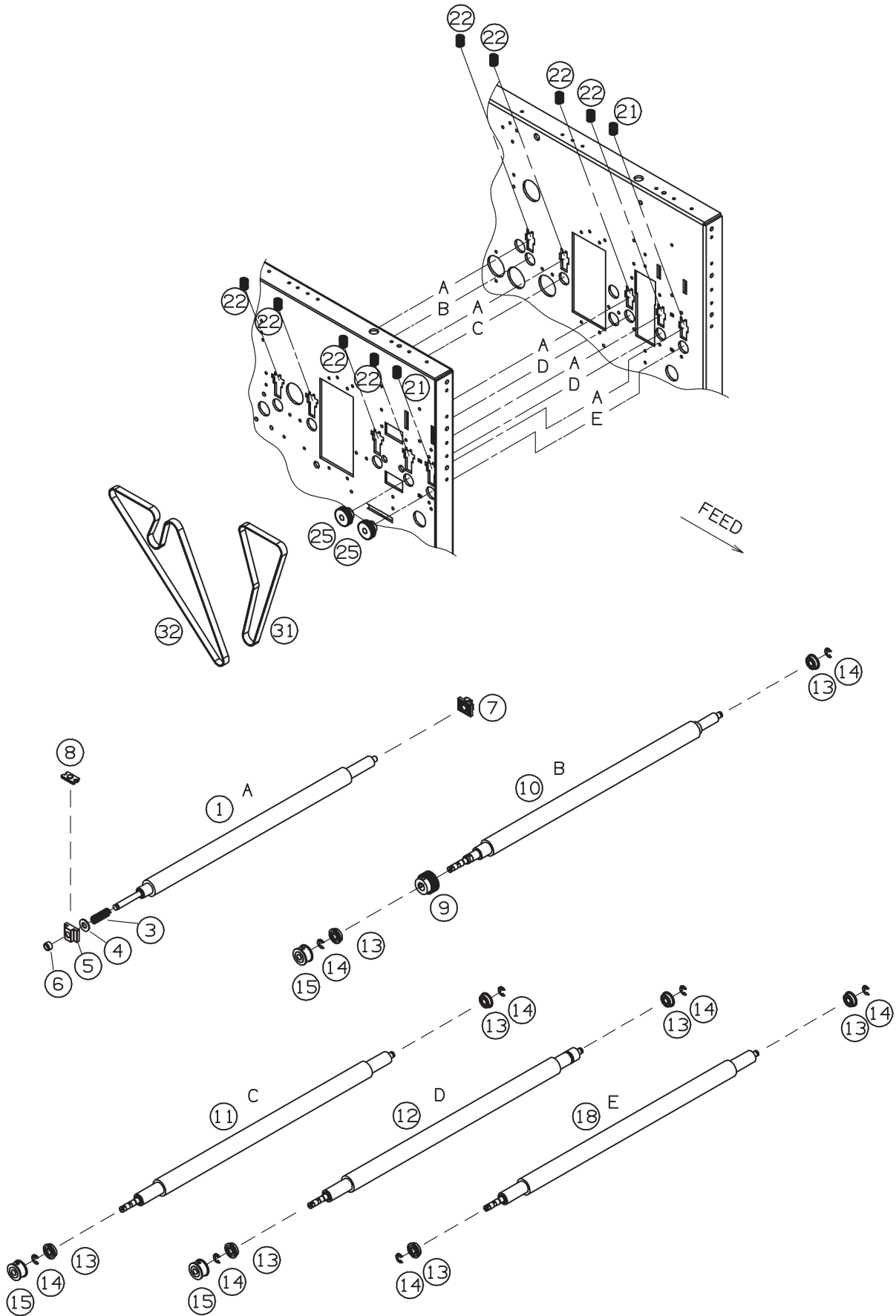


14 Driving system 1
---------------------

No.	Parts name		Parts No.	Qty	Remarks	Rec
1	Sems screw		05-996	10	M4x8+SW+W	
3	Plain washer		48-806	1	M6x20x4	
4	Plain washer		09-425	4	M5x12x0.8	
5	Spacer		73-929	2	5x14	
6	Ball bearing		80-413	4		
7	Hexagon nut		09-055	1	M5	
8	Hexagon socket head cap screw		08-248	1	M5x30	
9	Nut plate		83-342	1	M5	
10	Hexagon socket head cap screw		08-247	1	M5x25	
11	Bracket		7707-0659	1		
14	Hexagon socket head cap screw		08-255	3	M6x12	
15	Gear		80-232	1		
	Hexagon socket set screw			2	M4x10	
16	Ball bearing		80-420	2		
17	Shaft		7707-0408	1		
	Retaining ring-E		65-414	2	#9	
18	Hexagonal stay		73-937	3		
19	Stay		7707-0661	1		
20	Hexagon socket head cap screw (Special low head)		08-550	3	M6x12	
21	Sprocket		80-738	1		
	Hexagon socket set screw		08-361	2	M4x8	
23	Clutch		72-848	1		
	Hexagon socket set screw		08-361	2	M4x8	
24	Bracket		7707-0153	1		
	Sems screw		05-996	2	M4x8+SW+W	
25	Sprocket		7707-1064	1		

	Hexagon socket set screw		08-371	2	M5x6	
26	Set collar		7707-0147	1		
	Hexagon socket set screw		08-357	2	M4x6	
27	Bush		80-077	1		
28	Stay		7707-0152	1		
29	Stay		7707-0151	1		
30	Bush		73-425	1		
31	Stay		7703-0618	1		
32	Hexagon socket head cap screw		08-235	1	M4x25	
33	Plain washer		09-433	2	M4x13x1	
34	Gear		80-188	1		
35	Gear shaft		73-928	1	D8xL17	
36	Hexagon nut		09-054	1	M4	
41	Moter		72-741	1		
	Hexagon socket head cap screw		08-234	4	M4x20	
	Spring lock washer		09-385	4	M4	
42	Motor pulley		80-705	1		
	Hexagon socket set screw		08-357	2	M4x6	
43	Spacer		7711-0654	1		
44	Belt housing		7703-0652	1		
45	Sems screw		06-018	6	M5x10+SW+W	
46	Plate nut		7711-0655	1		
47	Timing belt		82-562	1	L285	
48	Ball bearing		80-425	2		
49	Spacer		09-588	2		
50	Pulley		80-710	1		
	Hexagon socket set screw		08-365	2	M4x16	
51	Shaft		7703-0653	1		
52	Pulley		80-649			
	Hexagon socket set screw		08-358	1	M4x4	
	Hexagon socket set screw		08-357	1	M4x6	

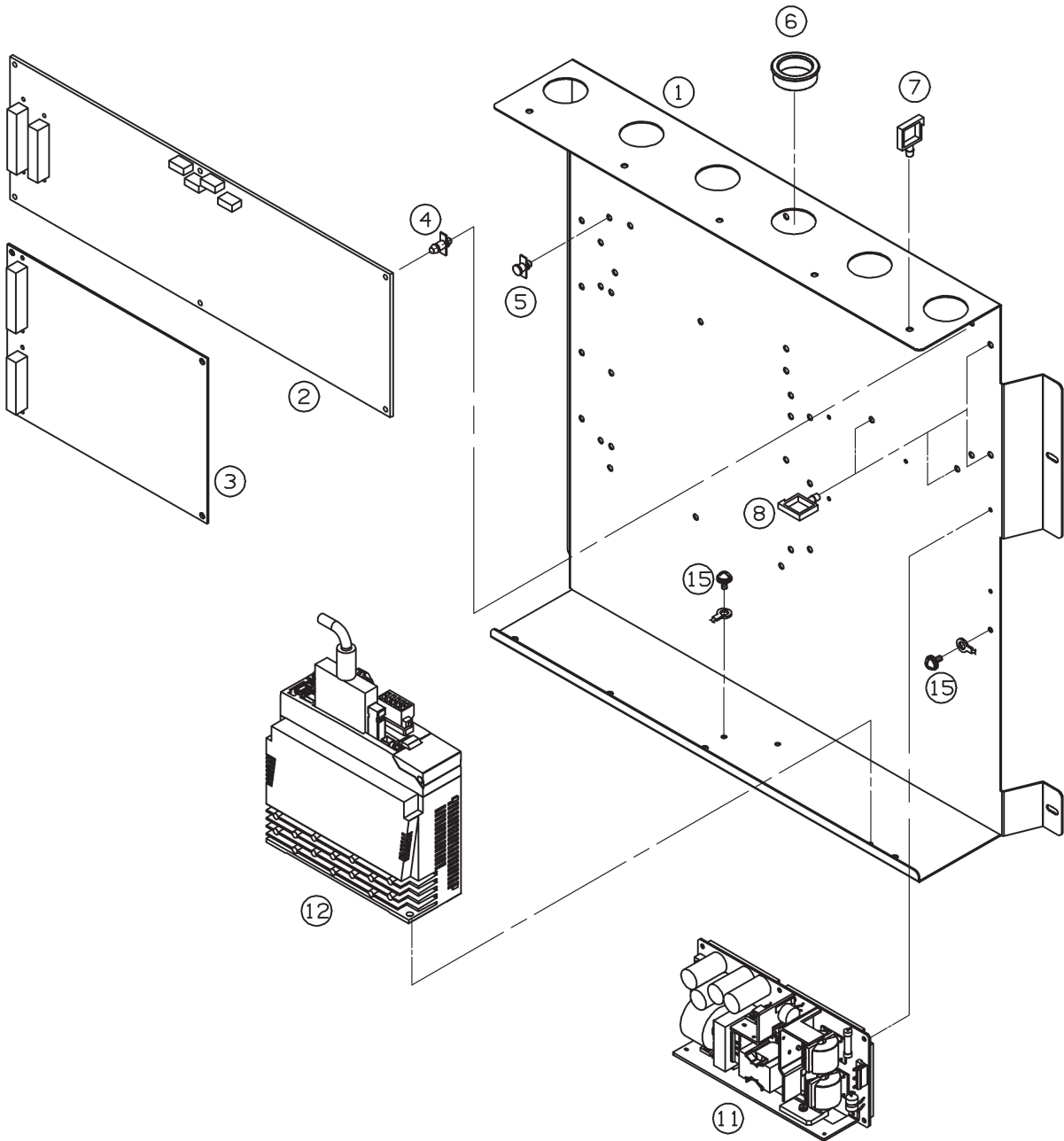
15 Driving system 2/



15 Driving system 2
---------------------

No.	Parts name		Parts No.	Qty	Remarks	Rec
1	Carrying roller (Soft)		7703-0602	5		
3	Spring		83-354	5	D12x30	
4	Plain washer		09-427	5	M8x18x1.6	
5	Roller slider		51-592	5		
6	Stopper cap		60-676	5		
7	Roller slider		51-588	5		
8	Slider		51-589	5		
9	Gear		80-233	1		
	Hexagon socket set screw		08-373	2	M5x8	
10	Carrying roller (Hard)		7707-0601	1		
11	Carrying roller (Hard)		7703-7601	1		
12	Carrying roller (Hard) With black mark		7703-7602	2		
13	Ball bearing		80-416	10		
14	Retaining ring-E		65-412	10	#7	
15	Pulley		80-654	4		
	Hexagon socket set screw		08-357	4	M4x6	
	Hexagon socket set screw		08-361	4	M4x8	
18	Carrying roller (Soft)		7703-0603	1		
21	Spring		60-198	2	D12xL20x1.1	
22	Spring		60-196	8	D12xL20x1.3	
25	Gear		80-199	2		
	Hexagon socket set screw		08-357	4	M4x6	
31	Timing belt		82-541	1	L504	
32	Timing belt		82-542	1	L762	

16 Electric panel/



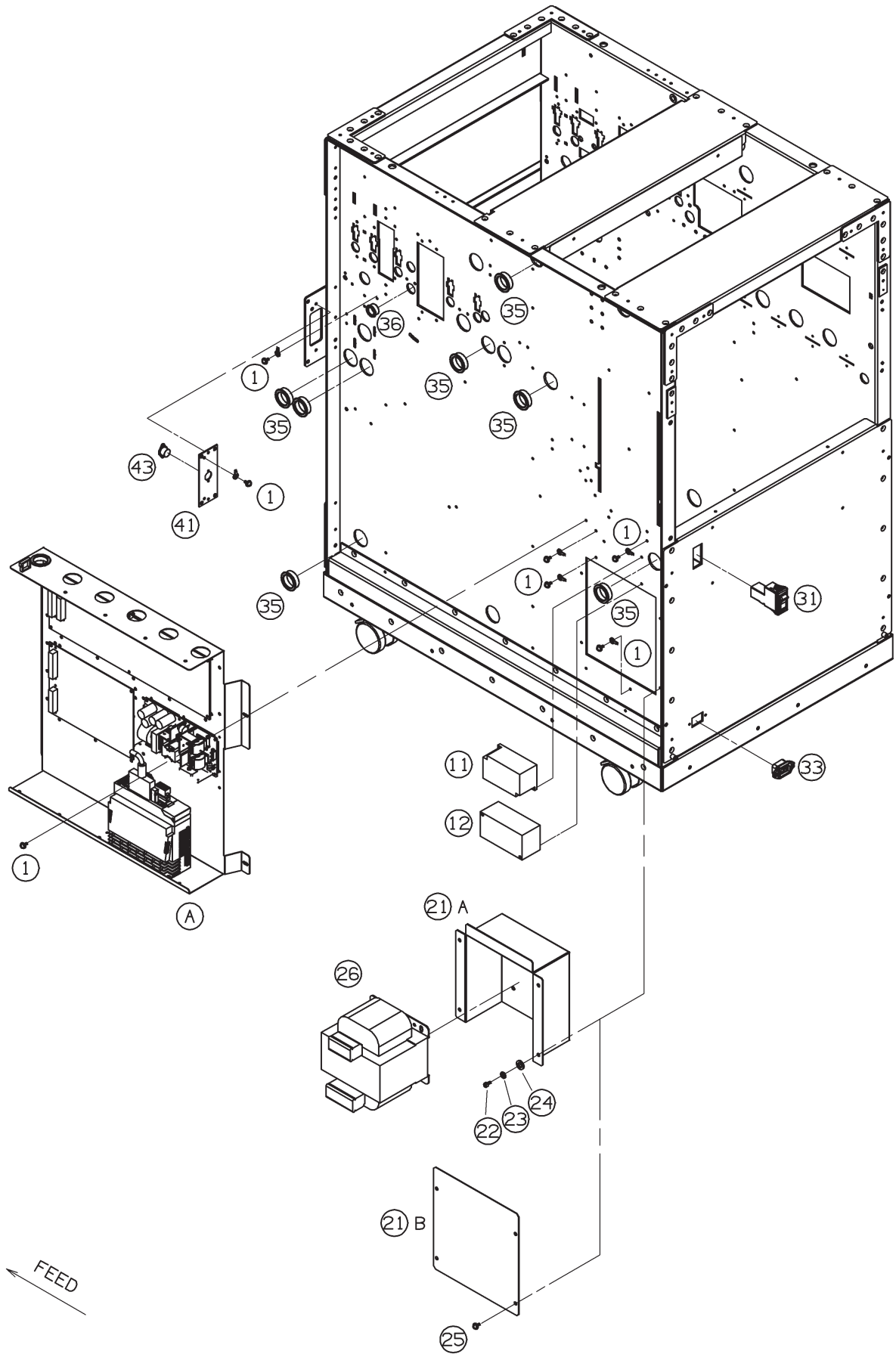
← FEED

16 Electric panel
-------------------

No.	Parts name		Parts No.	Qty	Remarks	Rec
1	Electric panel		7707-0800	1		
2	I/O board		72-955	1		
3	CPU board		72-954	1		
4	Spacer A		72-281	10	KGLS-4S	
5	Spacer B		72-282	9	KGPS-4S	
6	Bush		72-248	6	TB-2533	
7	Fixture code		72-285	19	LWS-5S-2W	
8	Fixture code		72-275	4	LWS-8S-2.5W	
11	DC Power supply		72-397	1		
	Sems screw		05-978	5	M3x8+SW+W	
	Spacer		72-342	5	M3xL10	
	Spring lock washer		09-384	5	M3	
12	Servo motor driver		72-742	1		
	Sems screw		05-998	2	M4x12+SW+W	
15	Sems screw		05-996	2	M4x8+SW+W	



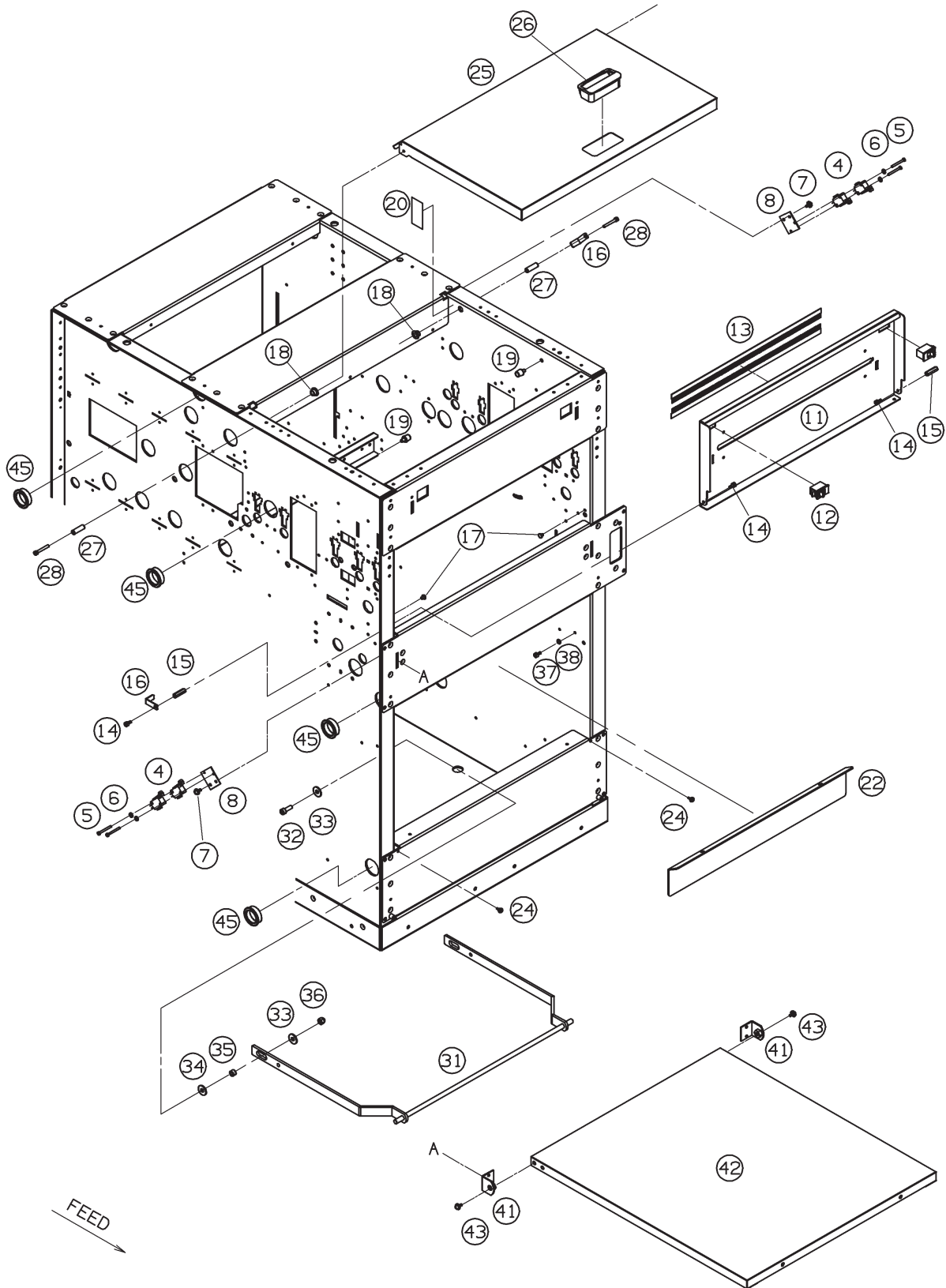
17 Electric parts/



17 Electric parts/
--------------------

No.	Parts name		Parts No.	Qty	Remarks	Rec
A	Electric panel			1		
1	Sems screw		05-996	10	M4x8+SW+W	
11	Noise filter		72-517	1		
	Sems screw		05-996	2	M4x8+SW+W	
12	Noise filter		72-510	1		
	Sems screw		05-996	2	M4x8+SW+W	
21A	Transformer stay		7703-0803	1	100-120V	
21B			7703-0804	1	200-240V	
22	Hexagon socket head cap screw		08-231	4	M4x12	
23	Spring lock washer		09-385	4	M4	
24	Plain washer		09-424	4	M4	
25	Sems screw		05-996	4	M4x8+SW+W	
26	Transformer		72-906	1	100-120V	
	Sems screw		06-018	4	M5x10+SW+W	
31	Power switch		72-502	1		
33	Inlet		72-486	1		
	Countersunk head screw		01-967	2	M3x12	
	Hexagon nut		09-337	2	M3	
35	Bush		72-248	7		
36	Bush		72-283	1		
41	Connector panel		7707-0812	1		
	Hexagon socket countersunk head screw		08-493	2	M4x8	
43	Connector		83-291	1		
	Sems screw		05-884	2	M3x8+SW	

18 Exterior 1

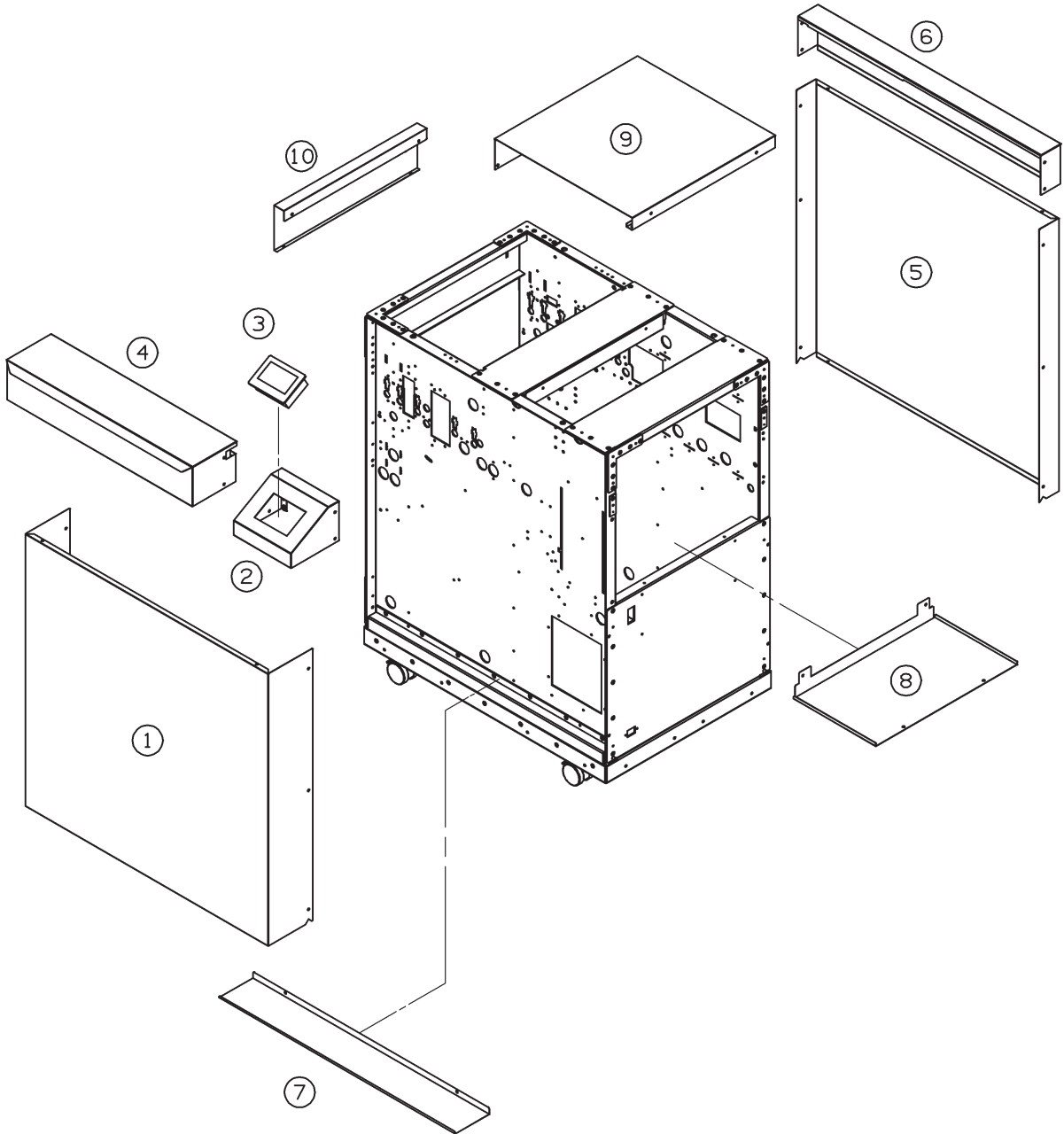


18 Exterior 1
---------------

No.	Parts name		Parts No.	Qty	Remarks	Rec
4	Micro switch		72-287	4		
5	Pan head screw		00-324	4	M3x25	
6	Spring lock washer		09-384	4	M3	
7	Sems screw		05-996	4	M4x8+SW+W	
8	Cover switch stay		7703-0138	2		
11	Stacker panel		7703-0770	1		
12	Fastener		60-753	2		
13	Anti-static brush		72-871	2		
14	Hexagon socket head cap screw		08-229	3	M4x8	
15	Hinge shaft		73-984	2		
16	Switch lever		7726-0757	2		
17	Slider		51-336	2		
18	Bush		80-047	2		
19	Rubber foot		57-071	2		
	Hexagon nut		09-055	2	M5	
20	Label		74-396	2		
22	Cover		54-935	1		
	Sems screw		05-996	2	M4x8+SW+W	
24	Rubber foot		57-006	2		
25	Cover		7707-0733	1		
26	Handle		51-170	1		
	Handle		51-171	1		
27	Spacer		73-980	2	4x25	
28	Hexagon socket head cap screw		08-222	2	M4x30	
31	Stacker stay		7701-7766	1		
32	Hexagon socket head cap screw		08-257	2	M6x18	
33	Plain washer		09-449	4	M6x19x1.6	
34	Plain washer		09-720	2	M10x22x0.7	
35	Spacer		73-972	2	M6x6	
36	Domed cap nut		09-115	2	M6	
37	Hexagon socket head		08-229	2	M4x8	

	cap screw					
38	Spring lock washer		09-385	2	M4	
41	Stacker stay		7711-0764	2		
	Hexagon socket countersunk head screw		08-493	4	M4x8	
42	Stacker		7711-0763	1		
43	Truss head screw		02-904	2	M6x15	
45	Bush		72-248	4		

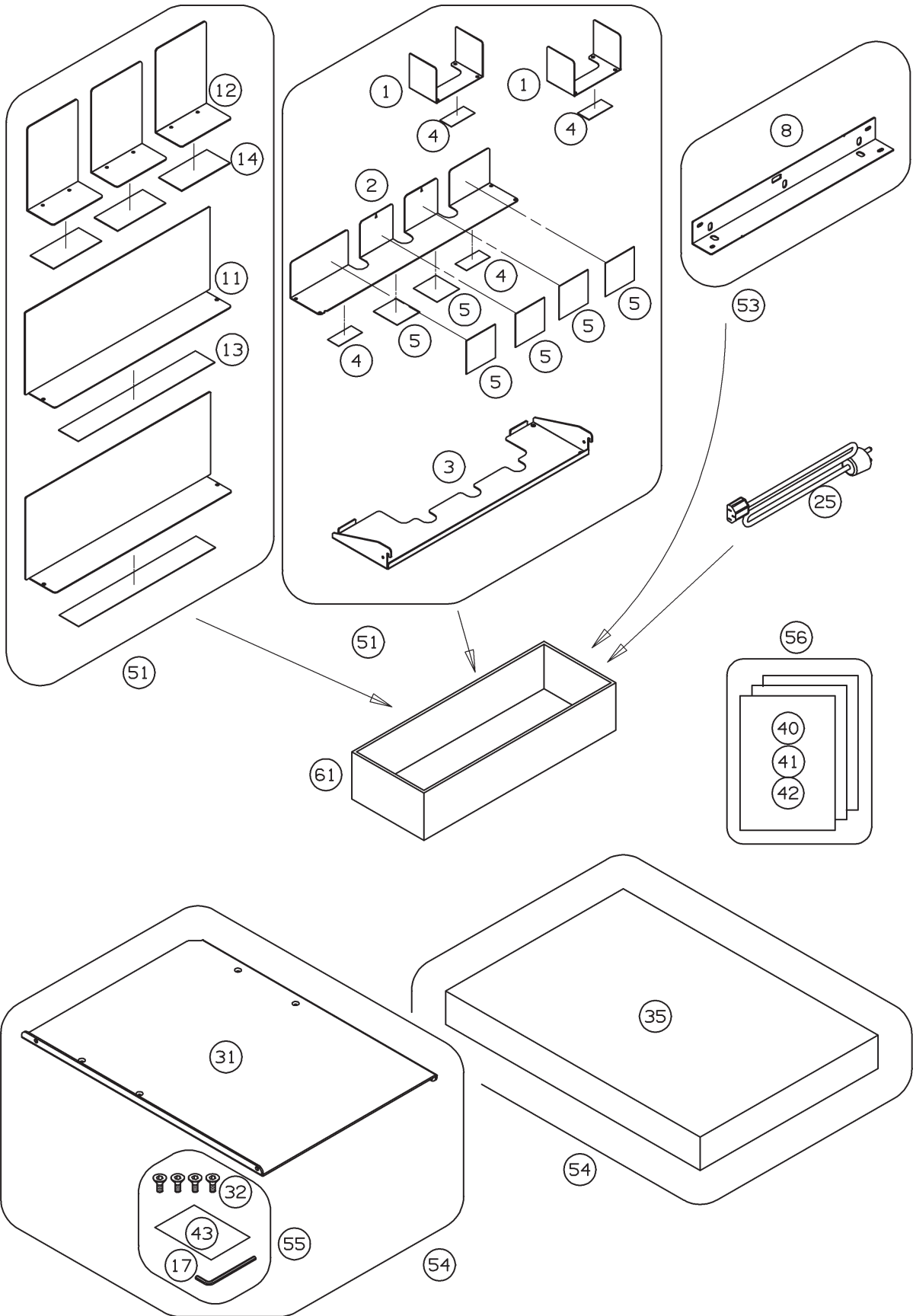
19 Exterior 2/



19 Exterior 2
---------------

No.	Parts name		Parts No.	Qty	Remarks	Rec
1	Cover		7707-0753	1		
	Truss head screw		02-839	6	M4x8 Cr	
	Card holder		75-091	1		
2	Cover		7707-7774	1		
	Truss head screw		02-839	3	M4x8 Cr	
3	Touch panel		72-236	1		
4	Cover		7707-7752	1		
	Truss head screw		02-839	3	M4x8 Cr	
5	Cover		7707-0756	1		
	Truss head screw		02-839	6	M4x8 Cr	
6	Cover		7707-7755	1		
	Truss head screw		02-839	4	M4x8 Cr	
7	Cover		7707-0762	1		
	Sems screw		05-996	2	M4x8+SW+W	
8	Cover		7707-0719	1		
	Sems screw		05-996	4	M4x8+SW+W	
9	Cover		7707-0758	1		
	Truss head screw		02-839	3	M4x8 Cr	
10	Cover		7707-0757	1		
	Truss head screw		02-839	2	M4x8 Cr	

20 Accessories/

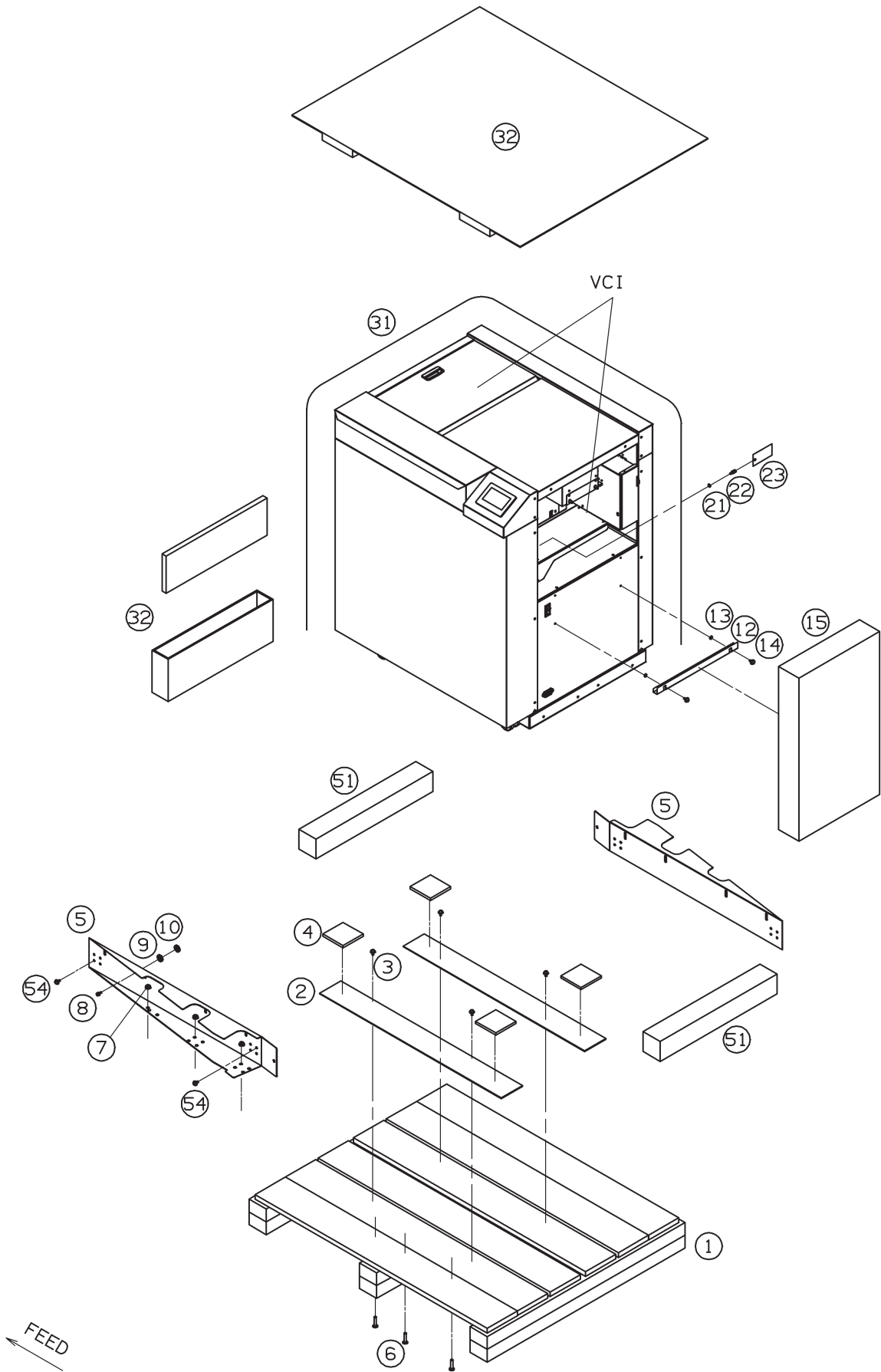




20 Accessories/
-----------------

No.	Parts name		Parts No.	Qty	Remarks	Rec
1	Card stacker		7703-0837	2		
2	Card stacker		7707-0832	1		
3	Card stacker		7707-0836	1		
4	Magnet		60-810	4	25x60x1	
5	Rubber		55-116	6	60x60x1	
8	Gauge					
	Label					
11	Paper guide L		7703-0128	2		
12	Paper guide S		7703-0129	4		
13	Magnet		60-920	2	340x50x1	
14	Magnet		60-921	4	100x50x1.5	
17	Hexagonal wrench		80-948	1	2.5mm	
25	AC cable (A 3pin)		72-801	1	100-120V	
	AC cable (C)		72-802	1	200-240V	
31	Feed table		7707-0103	1		
32	Hexagon socket countersunk head screw		08-493	4	M4x8	
35	Waste box		54-492	1		
40	Operation manual		78-816	1		
41	Template		78-817	1	mm	
			78-818		inch	
42	Troubleshooting		78-822	1		
43	Setting manual		78-824	1		
51	Plastic bag		96-172	2	300x500	
53	Plastic bag		96-054	1	80x500	
54	Plastic bag		96-261	2	650x700	
55	Plastic bag		(96-052)	1	(80x150)	
56	Plastic bag		96-161	1	250x400	
61	Accessories box		96-903	1		

21 Packing



21 Packing/
-------------

No.	Parts name		Parts No.	Qty	Remarks	Rec
1	Skid		96-902	1		
2	Plate			2		
3	Tapping screw		04-896	4	5x14	
4	Rubber		82-425	4		
5	Packing stay		7707-0783	2		
6	Hexagon socket head cap screw (Special low head)		08-131	6	M8x40	
7	Hexagon nut		09-341	6	M8+W	
8	Hexagon socket head cap screw		06-604	8	M6x16+SW+W	
9	Cushion		73-971	8		
10	Retaining washer		73-910	8	M6	
12	Bracket		7707-0723	1		
13	Retaining washer		60-666	2	M4	
14	Sems screw		05-996	2	M4x8+SW+W	
15	Accessories box			1		
21	Retaining washer		60-666	1	M4	
22	Knob		73-943	1		
23	Label		78-808	1		
31	Plastic bag		96-437	1	2000x2000	
32	Cushion		96-903	1		

No.	Parts name		Parts No.	Qty	Remarks	Rec
51	Bar		96-930	2	L580	
54	Tapping screw		04-896	8	5x14	