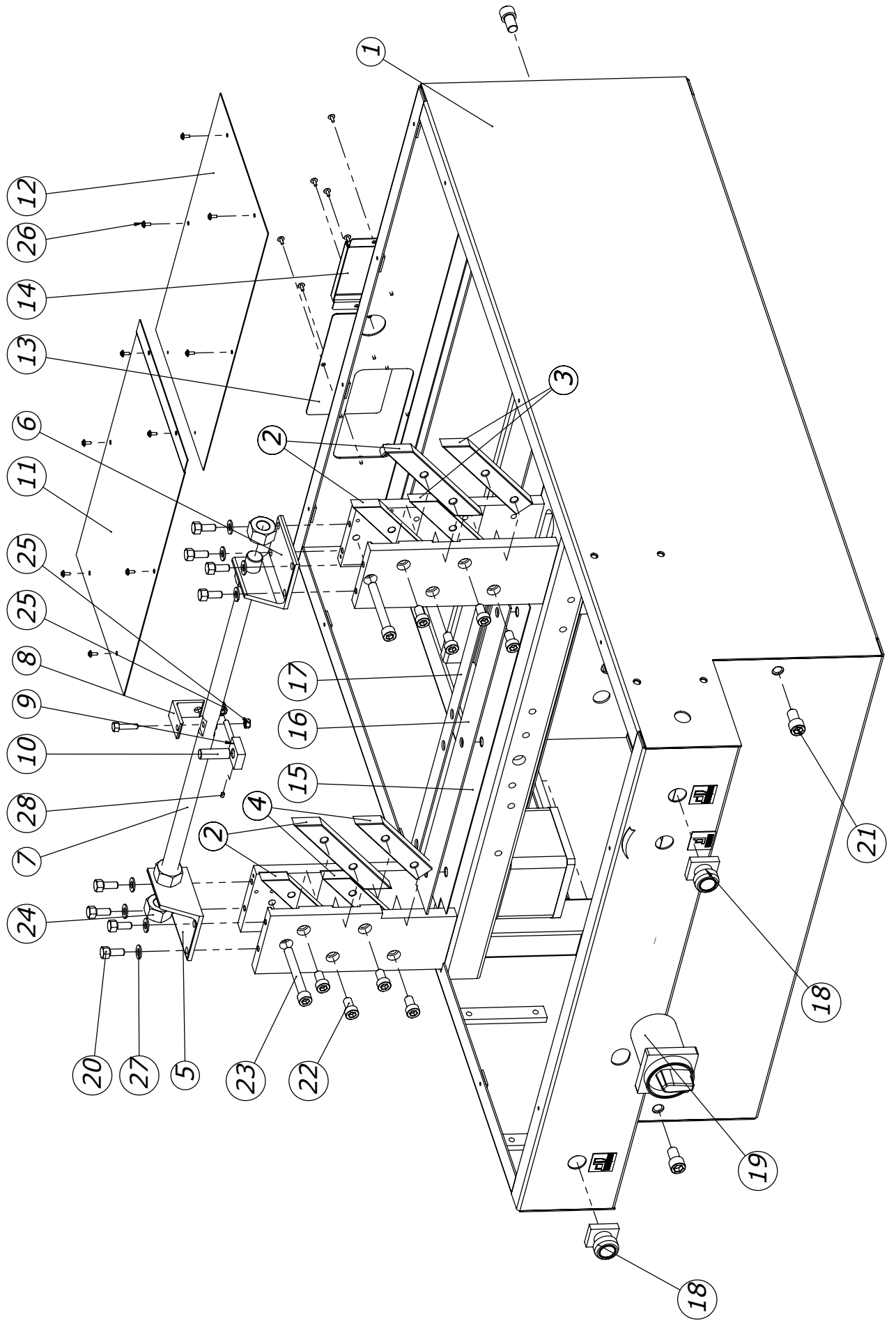


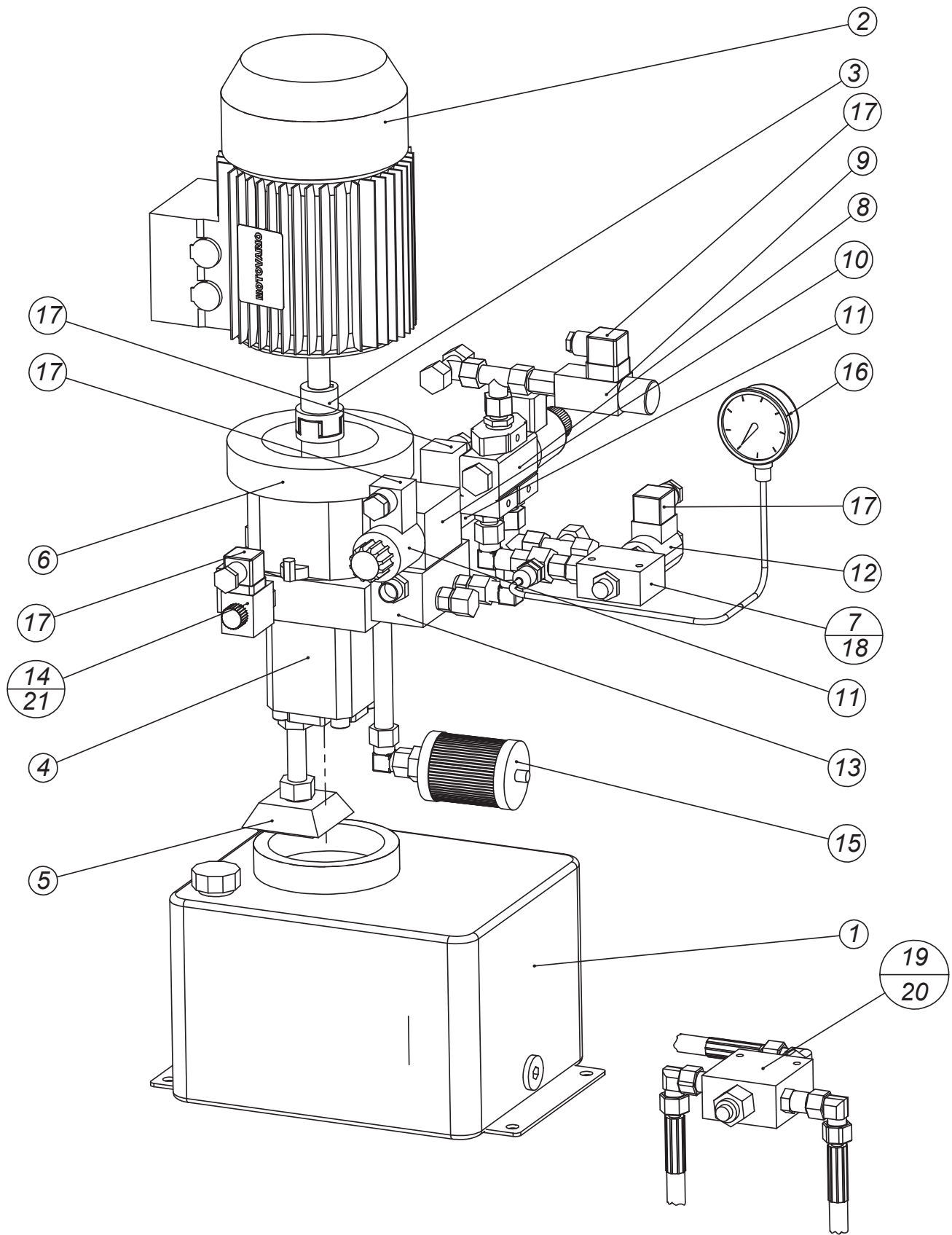
FORMAX[®]

Cut-True 29H
Hydraulic Guillotine Paper Cutter
Serial # 1115 and up

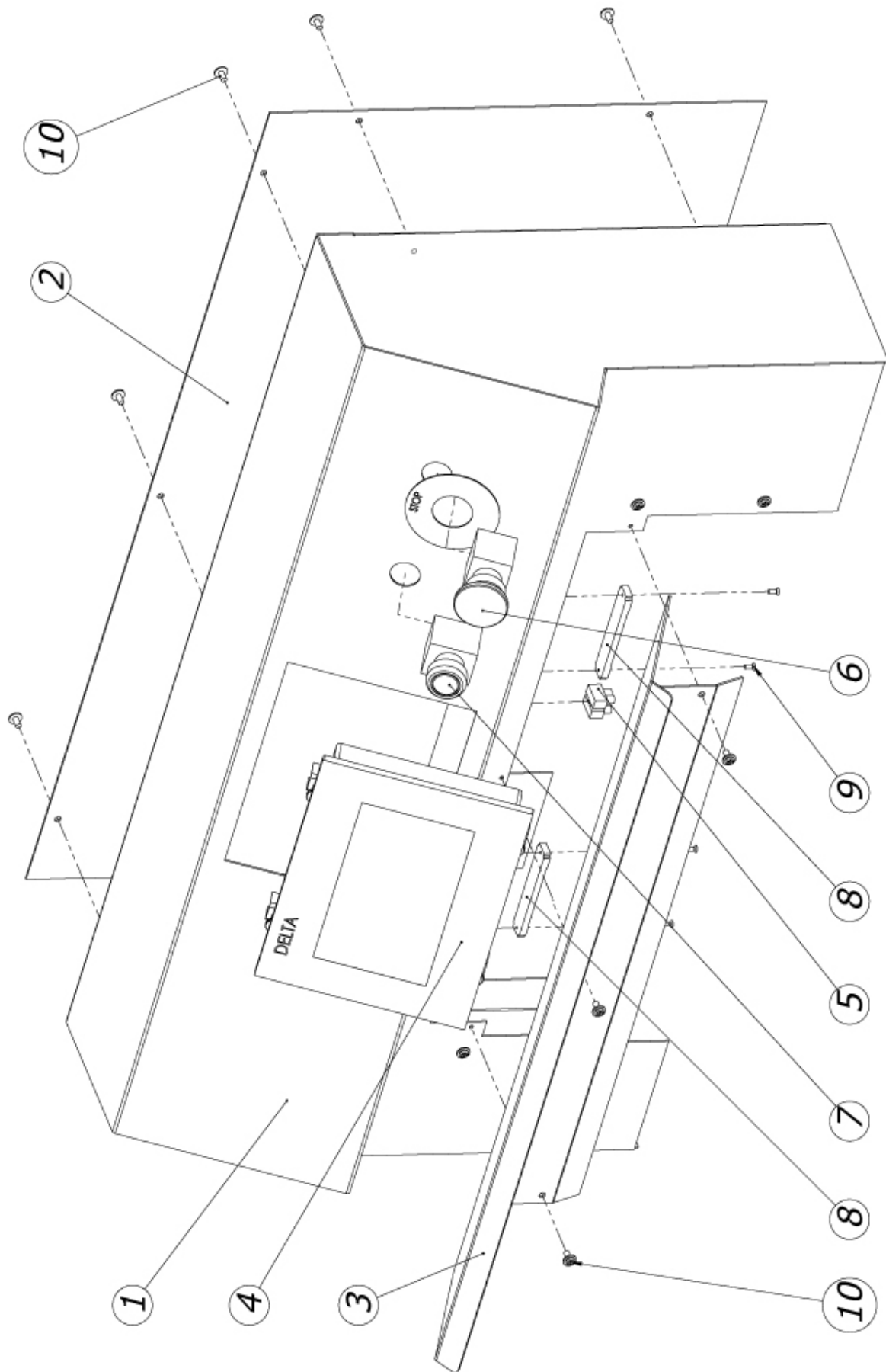
PARTS LISTING



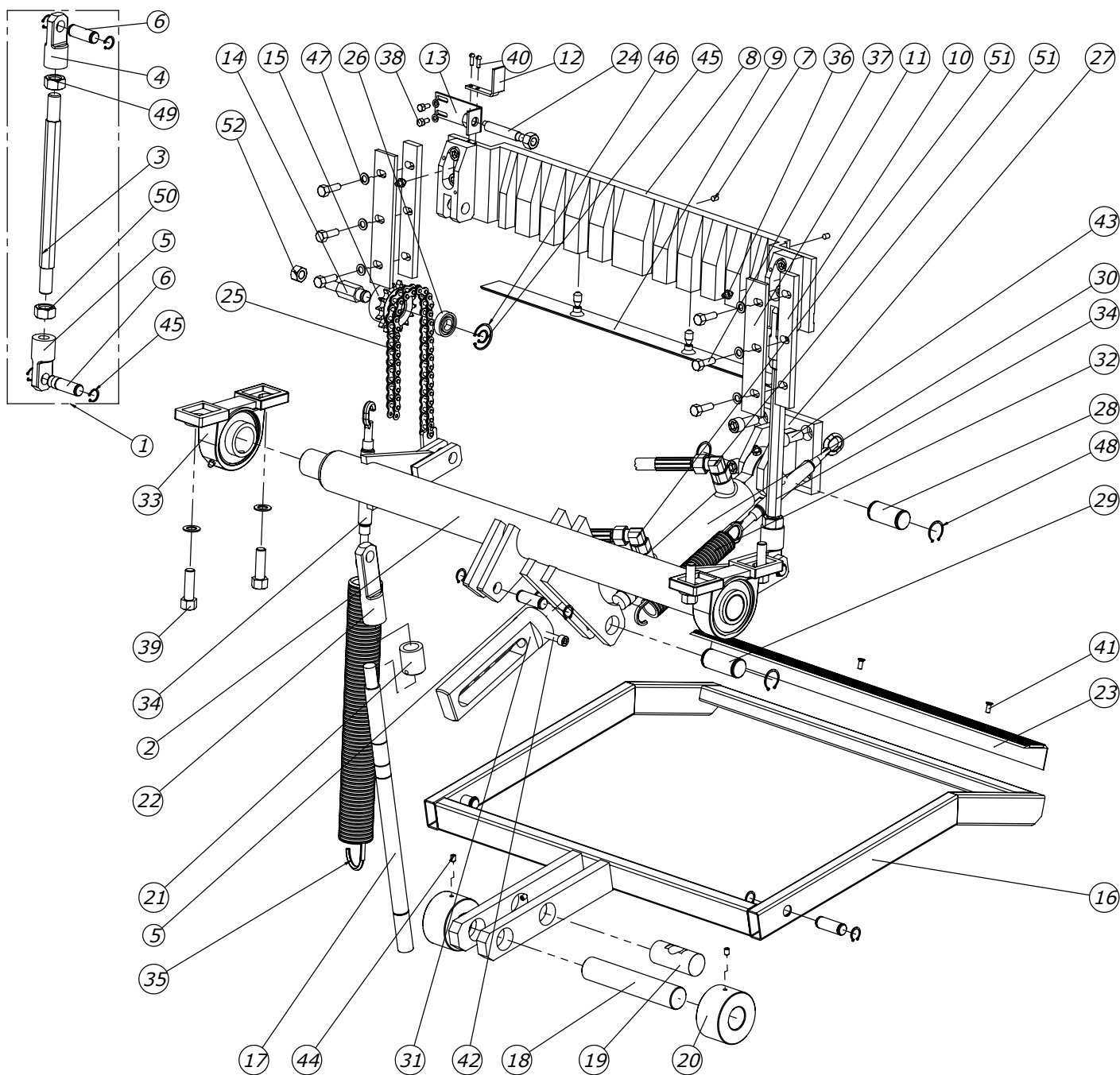
ITEM	PART #	DESCRIPTION	QTY
1	G52M 01.01.00	Machine body	1
2	G52M 01.02.01.02	Guide	4
3	G52M 01.02.01.03	Guide	2
4	G52M 01.02.03.02	Guide	2
5	G52M 00.03.01	Left support	1
6	G52M 00.03.02	Right support	1
7	G52M 00.03.03	Coupler	1
8	G52M 00.03.04	Handle	1
9	G73 00.00.87	LED laser support	1
10	G73 00.00.89	LED laser cutting line	1
11	G52M 01.00.01	Shield	1
12	G52M 01.03.00	Shield	1
13	G52M 01.02.15	Shield	1
14	G73 00.00.62	Shield	1
15	G52M 00.01.01	Gasket	1
16	G52M 00.01.02	Gasket	1
17	G52M 00.01.03	Gasket	1
18	G73 00.00.90	Cut button	2
19	G73 00.00.91	Main power switch	1
20	M8x20 PN/M-82105	M8x20 PN/M-82105	8
21	M12x20 PN/M-82302	M12x20 PN/M-82302	4
22	G52M 01.02.03.03	G52M 01.02.03.03	16
23	M10x80 PN/M-82302	M10x80 PN/M-82302	2
24	M20x1,5 PN/M-82144	M20x1,5 PN/M-82144	4
25	M6 PN/M-82144	M6 PN/M-82144	2
26	M4x8 BN 4825	M4x8 BN 4825	24
27	9 PN/M-82005	9 PN/M-82005	8
28	M4x10 DIN 914	M4x10 DIN 914	1



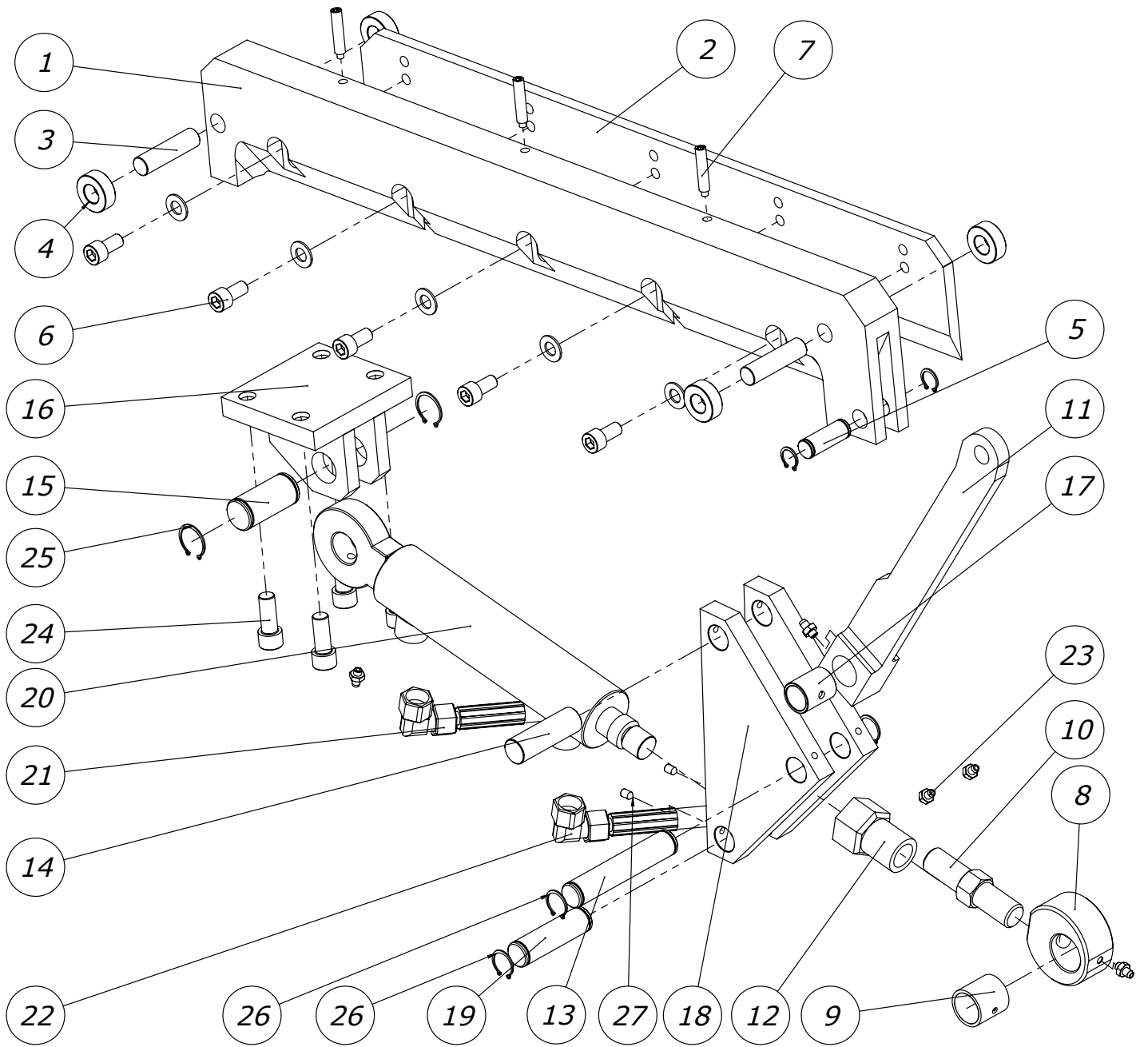
ITEM	PART #	DESCRIPTION	QTY
1	HKKS140	Horizontal tank	1
2	HKK407A90LB4IE3	Motor	1
3	HKKF16	Connector flange	1
4	HKK18	Gear pump	1
5	HKKAS0003	Suction filter	1
6	HKKA12	Central flange	1
7	HKEVH06A5	Electric magnetic valve	1
8	HKDFE0523AW24DC	3/2 valve	1
9	HKHDS1200K71	Pressure switch 20-200bar	1
10	HK4132030302C1Q	4/3 valve	1
11	HKSP24V41C 2	24VDC coil for HK 41C	2
12	HKC24VDC	24VDC coil	1
13	HKKN03	Valve block	1
14	HKKOCN	24VDC coil	1
15	HKRTR0502CG1P10	Return filter	1
16	GMM63-250	Manometer	1
17	HKSP66724 5	24VDC LED plug	5
18	HK00613	Valve housing	1
19	HKPRRS10NS015	3 directional valve WZ10	1
20	HKGEH38C1030	Valve housing WZ10	1
21	HKKEA12.7N	24VDC coil	1



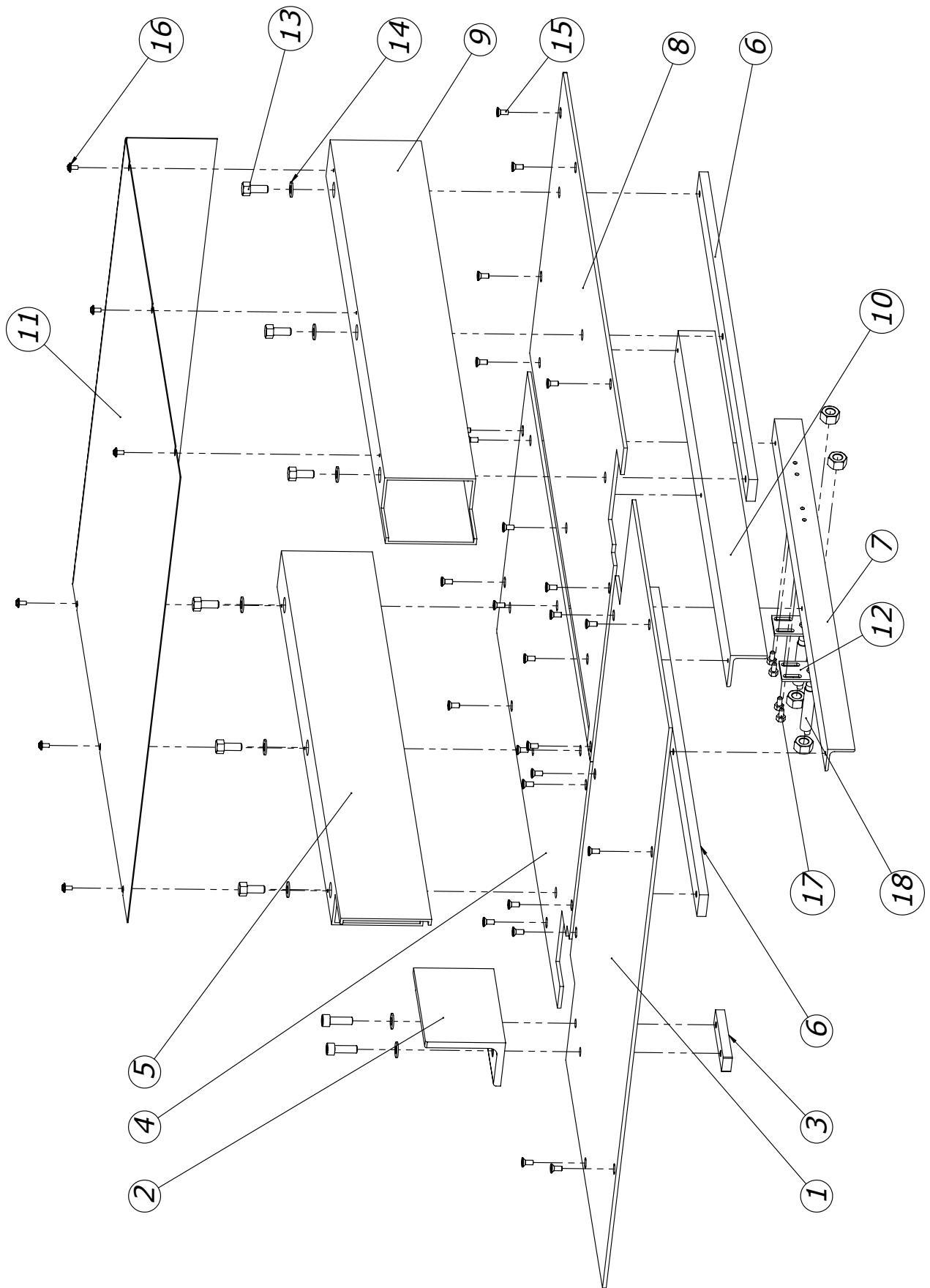
ITEM	PART #	DESCRIPTION	QTY
1	G52H 03.01.00	Upper cover	1
2	G52H 03.01.04	Back cover	1
3	G52M 03.00.02	Cover	1
4	G52H 03.00.03 D7"	LCD display	1
5	G52M 03.00.04	Coupler	1
6	G73 03.00.03	Emergency stop button	1
7	G73 03.00.04	O/I button	1
8	G73 03.00.06	LED	2
9	M3x6 DIN 84oc	Screw, M3x6 DIN 84oc	4
10	M4x8 BN 4825	Screw, M4x8 BN 4825	10



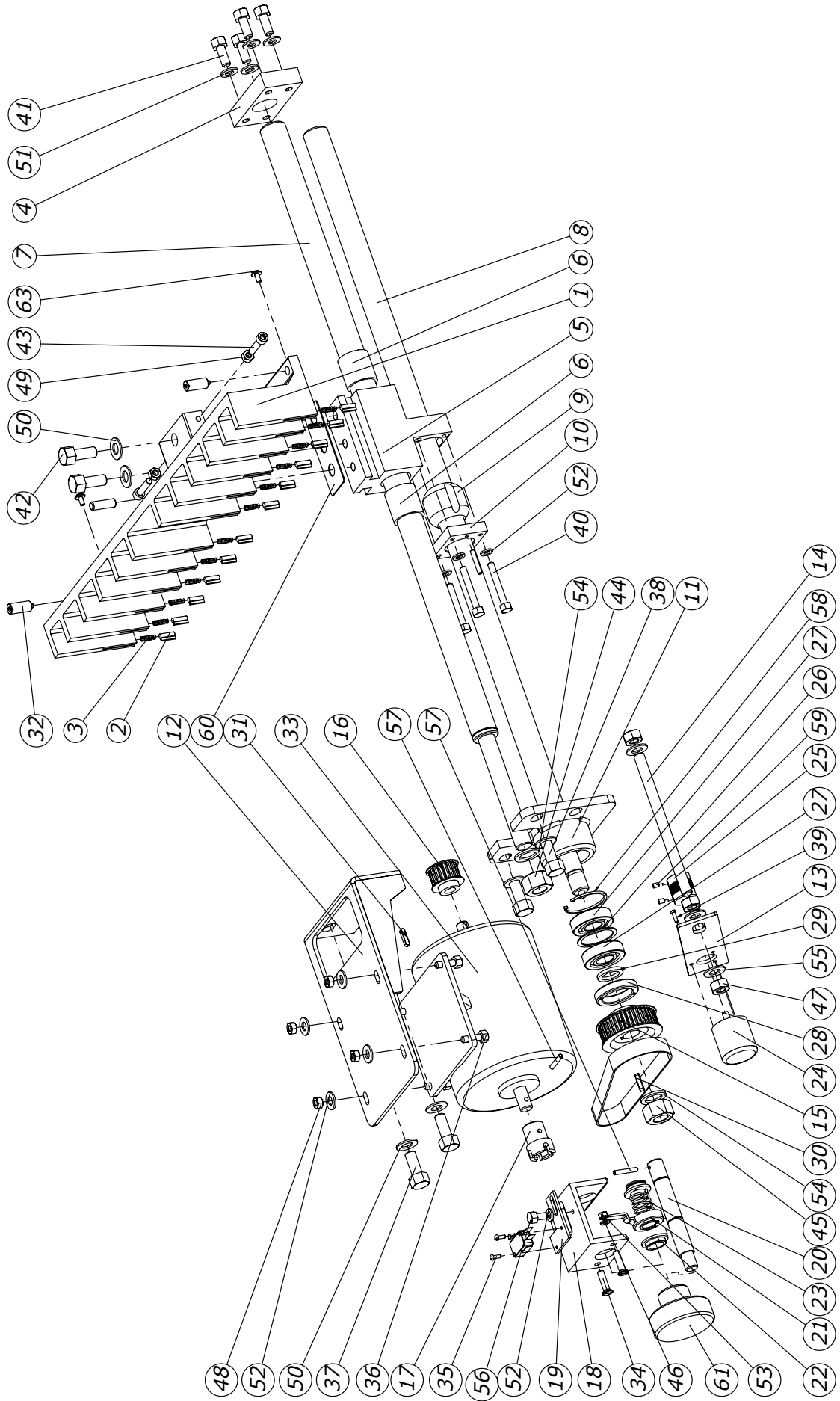
ITEM	PART #	DESCRIPTION	QTY
1	G52M 04.01.00	Band complete	2
2	G52M 04.02.00	Shaft	1
3	G52M 04.01.01	Band	2
4	G52M 04.01.02	Band head	1
5	G52M 04.01.03	Band head	1
6	G73 04.01.04	Bolt	7
7	M6x10 DIN 915	Screw, M6x10 DIN 915	2
8	G52M 04.03.00	Clamp bar	1
9	G52M 04.04.00	Clamp Bar	1
10	G52M 04.00.01	Guide	2
11	G52M 04.00.02	Guide	2
12	G73 04.00.04	Handle	1
13	G73 04.00.05	Handle	1
14	G52M 07.01.00	Handle for gear wheel	1
15	G52M 07.02.01	Gear wheel	1
16	G52M 07.02.02	Foot pedal	1
17	G52M 07.02.03	Foot pedal band	1
18	G52M 07.02.04	Bolt	1
19	G52M 07.02.05	Bolt	1
20	G52M 07.02.06	Weight	1
21	G52M 07.03.01	Sleeve	1
22	G52M 07.03.02	Band head	1
23	G52M 07.03.03	Foot pedal cover	1
24	G73 04.00.06	Induction sensor	1
25	G52H 04.00.07	Chain	1
26	6002 PN/M-86100		1
27	G73H 06.01.00	Piston chuck	1
28	G73H 06.00.05	Bolt	1
29	G73H 06.00.06	Bolt	1
30	G52H 04.00.01	Piston	1
31	G73H 04.00.02	Piston band	1
32	G73 09.00.27	Spring	1
33	UCP207	Bearing housing	2
34	M10 DIN480	M10 DIN480	2
35	G73 09.00.26	Spring	1
36	M6 PN/M-86007		2
37	M8x30 PN/M-82105		6
38	M5x12 PN/M-82105		2
39	M12x40 PN/M-82105		4
40	M4X12 PN/M-82201		2
41	M4X12 PN/M-82209		3
42	M8x30 PN/M-82302		1
43	M12x30 PN/M-82302		4
44	M6x10 DIN 915		2
45	15z PN/M-851115		15
46	32w PN/M-85111		1
47	8 PN/M-82004 6		6
48	25z PN/M-85111		4
49	M16 PN/M-82144		2
50	M16L PN/M-85111		2
51	G52H 04.00.02	Hydraulic hose	2
52	M12 PN/M-82144		1



ITEM	PART #	DESCRIPTION	QTY
1	G52M 05.00.01	Knife bar	1
2	G53 05.00.01	Knife	1
3	G52M 05.00.03	Bolt	2
4	G53 05.00.02	Bolt roller	4
5	G52M 05.00.04	Bolt	1
6	G52M 05.00.05	Screw	5
7	G52M 05.00.06	Screw	3
8	G52M 06.00.01	Band head	1
9	G73 06.00.02	Sleeve	1
10	G73 06.00.03	Adjust screw	1
11	G52H 06.00.04	Band	1
12	G73H 06.00.02	Nut	1
13	G73H 06.00.03	Bolt	1
14	G73H 06.00.04	Bolt	1
15	G73H 06.00.05	Bolt	1
16	G73H 06.01.00	Piston band	1
17	G73H 06.00.06	Sleeve	1
18	G73H 06.00.01	Lever	2
19	G73H 06.00.07	Bolt	1
20	G52H 06.00.01	Piston	1
21	G52H 06.00.02	Hydraulic hose	1
22	G52H 06.00.03	Hydraulic hose	1
23	M6x10 DIN 914	M6x10 DIN 914	2
24	M10x25 PN/M-82302	M10x25 PN/M-82302	4
25	25z PN/M-85111	25z PN/M-85111	2
26	20z PN/M-85111	20z PN/M-85111	4

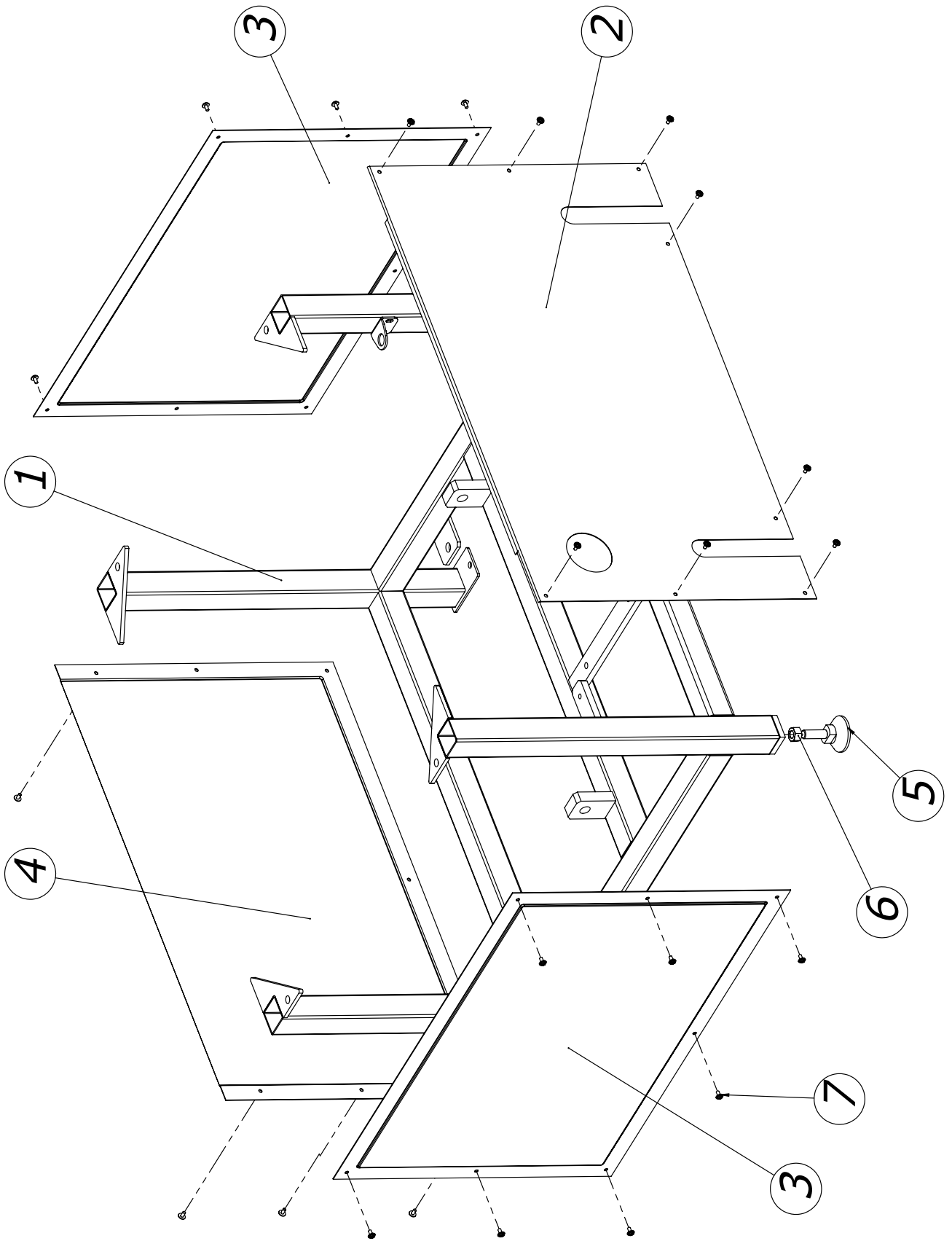


ITEM	PART #	DESCRIPTION	QTY
1	G52M 08.01.01	Front table	1
2	G52M 08.01.02	Front side guide	1
3	G52M 08.01.03	Side guide c	1
4	G52M 08.02.01	Left table	1
5	G52M 08.02.02	Left side guide	1
6	G52M 08.02.03	Side guide c	2
7	G52M 08.02.04	Bracket	1
8	G52M 08.03.01	Right table	1
9	G52M 08.03.02	Right side guide	1
10	G52M 08.03.03	Bracket	1
11	G52M 00.00.04	Back cover	1
12	G53 00.00.28	Sensor support	2
13	M8x20 PN/M-82105		8
14	9 PN/M-82005		8
15	M5x12 DIN 7991		25
16	M4x8 BN 4825		6
17	M5x10 PN/M-82105		6
18	G73 04.00.06	Induction sensor	2

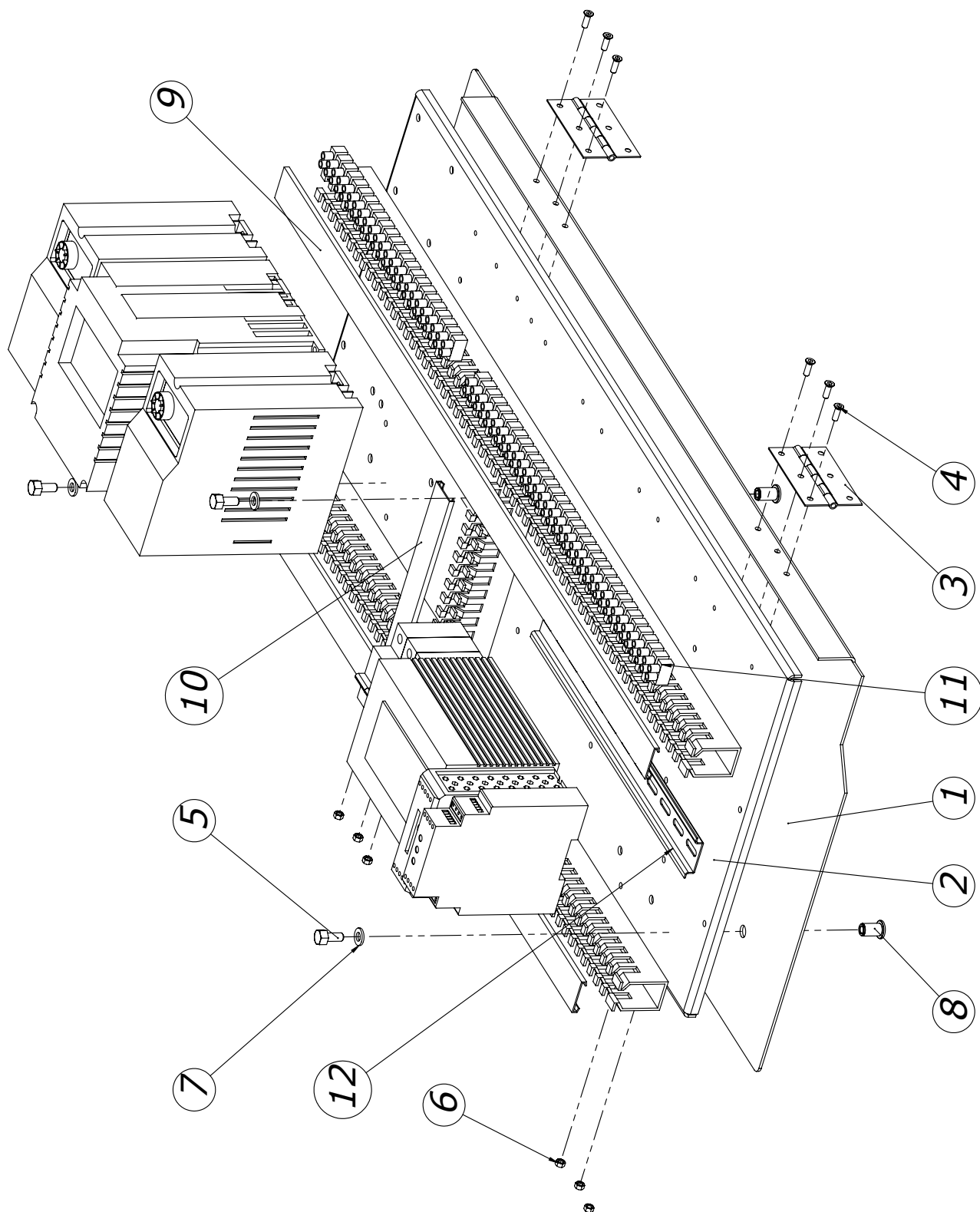


ITEM	PART #	DESCRIPTION	QTY
1	G52M 09.00.01	backgauge	1
2	G73 09.00.19	Pin	12
3	G73 09.00.20	Spring	12
4	G52M 09.00.02	shaft mounting	1
5	G52M 09.01.01.01	Slide	1
6	G52M 09.01.01.04	Sleeve	2
7	G52M 09.01.04.01	Shaft	1
8	G52M 09.01.01	Screw	1
9	G52M 09.01.01.02	Nut	2
10	G52M 09.01.01.03	Nut fixing	1
11	G52M 09.01.02.01.00	Screw support	1
12	G52M 09.02.01.01	Motor support	1
13	G73 00.00.72	Support	1
14	G73 00.00.93	Screw	1
15	G73 09.01.20	Gear wheel	1
16	G73 09.09.03	Gear wheel	1
17	G73 09.09.02	Clutch	1
18	G73 09.08.01	Support	1
19	G73 09.08.04	Support	1
20	G73 09.08.02	Shaft	1
21	G73 09.08.05	Pusher	1
22	G73 09.08.03	Sleeve	1
23	G73 11.00.08	Spring	1
24	G73 09.00.28	Encoder	1
25	G73 09.00.29	Encoder clutch	1
26	G73 00.00.75	Sleeve	1
27	G73 09.00.24	bearing	2
28	G73 09.01.14	Nut	1
29	G73 09.00.35	Gasket	1
30	G73 09.00.25	Spline	1
31	G73 09.00.25	Spline	1
32	GN616-M10-K(Elesa)	Grub screw	2

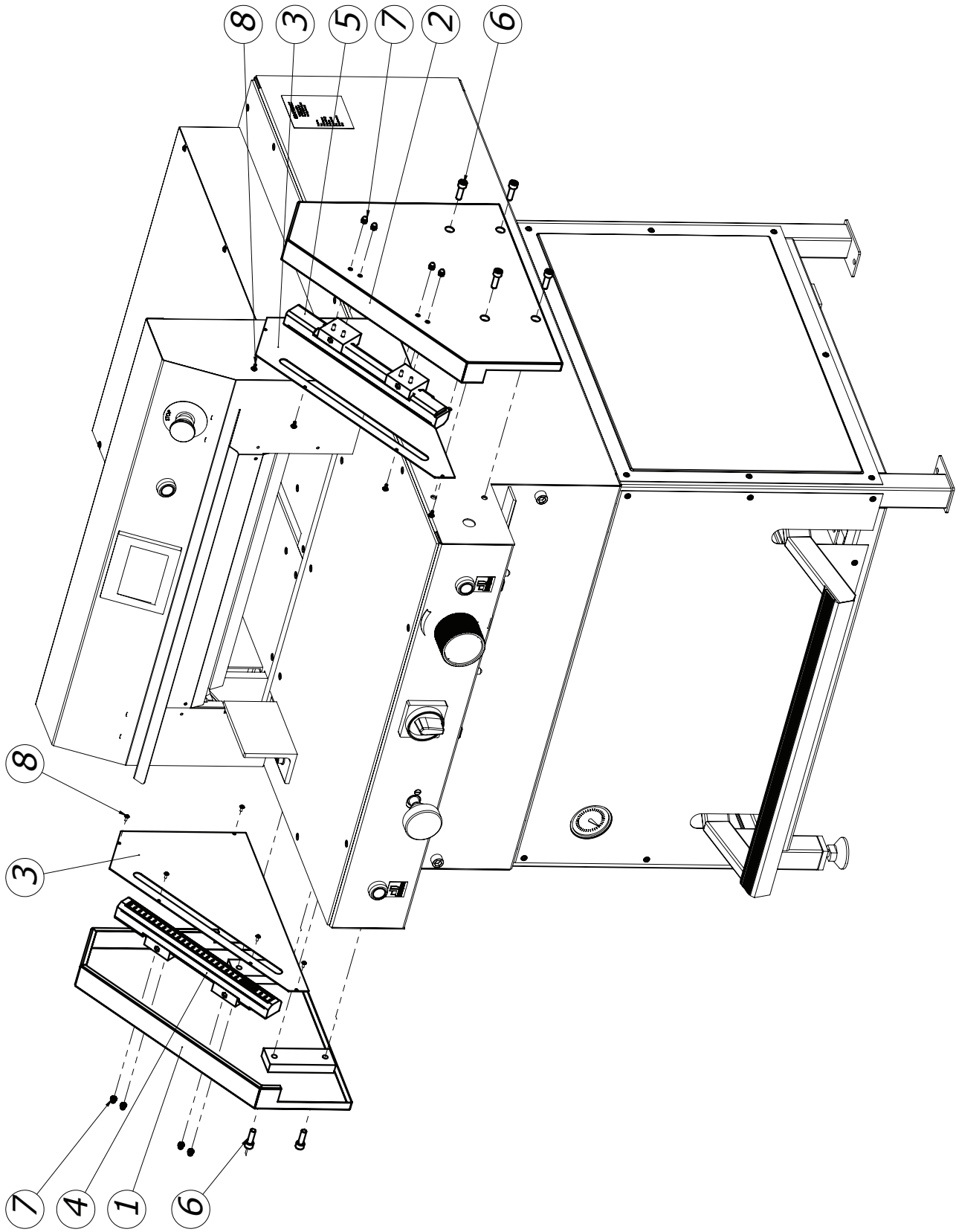
ITEM	PART #	DESCRIPTION	QTY
33	G73 09.09.01	Motor	1
34	M5x20 PN-M/82209		2
35	M3x25 PN/M-82205		2
36	M6x16 PN/M-82105		4
37	M10x20 PN/M-82105		2
38	M8x20 PN/M-82105		2
39	M3x8 BN 4825 3		3
40	M6x60 PN/M-82105		4
41	M8x20 PN/M-82105		4
42	G52M 09.00.04	Screw	1
43	M5x20 PN/M-82302		2
44	M16 PN/M-82144		1
45	M16 PN/M-82144		1
46	M5 PN/M-82144		2
47	M12 PN/M-82144		3
48	M6 PN/M-82144		4
49	M5 PN/M-82144		2
50	10 PN/M-82005		2
51	8 PN/M-82005		4
52	6 PN/M-82005		4
53	5 PN/M-82005		2
54	16 PN/M-82005		1
55	12 PN/M-82005		3
56	M6x12 PN/M-82105		1
57	4n6x20 PN/M-85021		2
58	40w PN/M-85111		1
59	M4x6 DIN 914		2
60	G52M 09.00.03		1
61	G73 09.08.09	Handle	



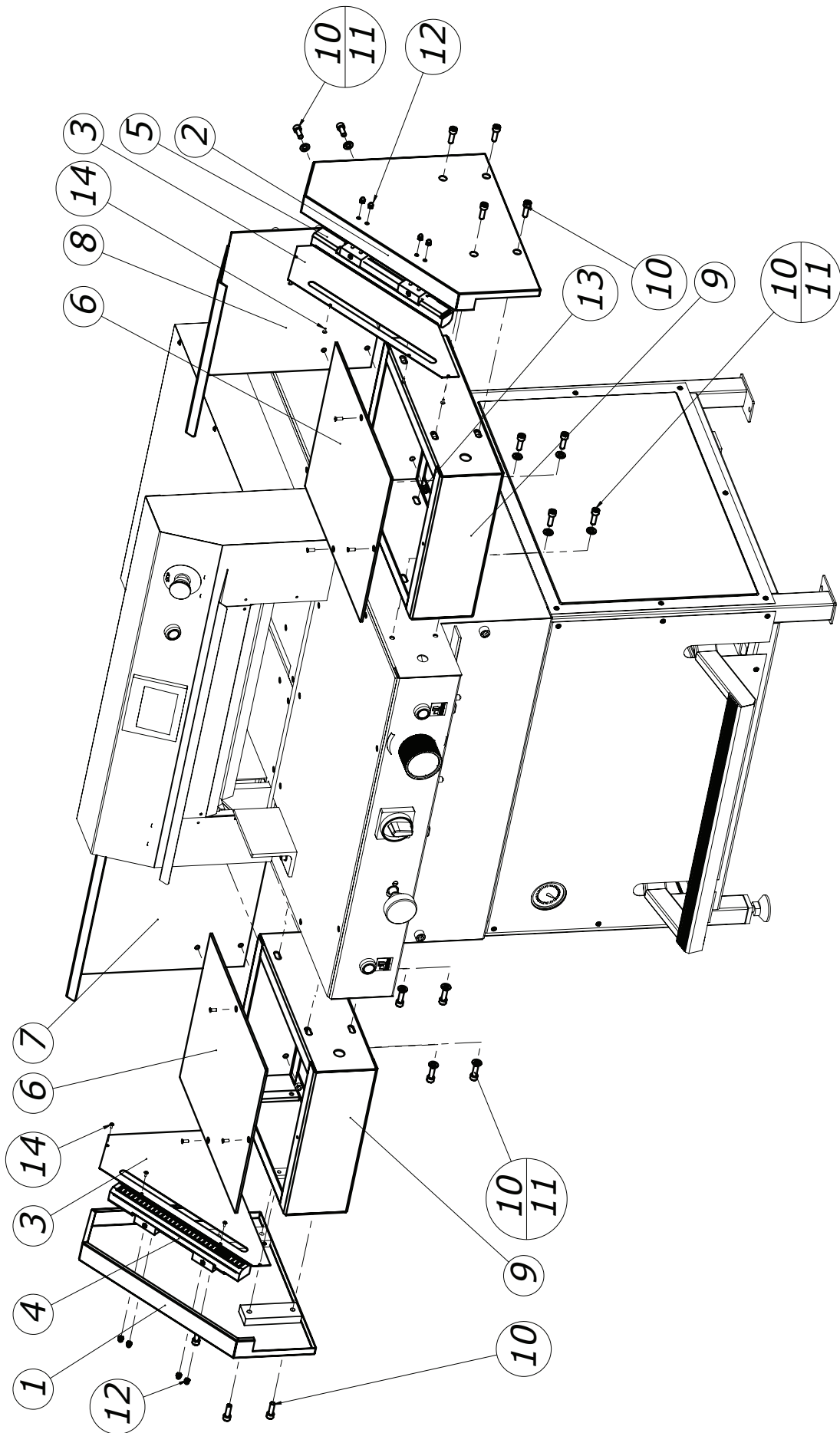
ITEM	PART #	DESCRIPTION	QTY
1	G52H 10.01.00	Base	1
2	G52H 10.00.01	Front cover	1
3	G52H 10.00.02	Side covers	2
4	G52H 10.00.03	Rear cover	1
5	G73 10.00.01	Adjustable foot	1
6	M12 PN/M -82144		1
7	M4x8 BN 4825		29



ITEM	PART #	DESCRIPTION	QTY
1	G52M 12.00.01	Electric table cover	1
2	G52M 12.00.02	Base, electric table	1
3	G73 12.00.01	Hinge	2
4	M4x10 PN/M-82009		6
5	M6x16 PN/M-82105		3
6	M4 PN/M-82144		6
7	6 PN/M-82005		3
8	M6x14.5		3
9	G52M 12.00.03	Plastic trough	2
10	G52M 12.00.04	Plastic trough	1
11	G52M 12.00.05	Terminal block	1
12	G52M 12.00.06	Metal rail	1



ITEM	PART #	DESCRIPTION	QTY
1	G52M 14.01.01	Left side cover	1
2	G52M 14.02.01	Right side cover	1
3	G52M 14.01.02	Inside cover	2
4	G52M 14.01.03	Light curtain assembly, left	1
5	G52M 14.02.02	Light curtain assembly, right	1
6	M8x20 PN/M-82302		8
7	M5 DIN 1587		8
8	M3x8 BN 4825		10



ITEM	PART #	DESCRIPTION	QTY
1	G52M 14.01.01	Left side cover	1
2	G52M 14.02.01	Right side cover	1
3	G52M 14.01.02	Inside cover	2
4	G52M 14.01.03	Light curtain assembly, left	1
5	G52M 14.02.02	Light curtain assembly, right	1
6	G52M 15.00.01	Side table top cover	2
7	G52M 15.01.01	Side table, left cover	1
8	G52M 15.02.01	Side table, right cover	1
9	G52M 15.01.00	Side table	2
10	M8x20 PN/M-82302		24
11	9 PN/M-82005		16
12	M5 DIN 1587		8
13	M8 PN/M-82144		8
14	M3x8 BN 4825		10