

# FORMAX<sup>®</sup>

---

---

FD 2096

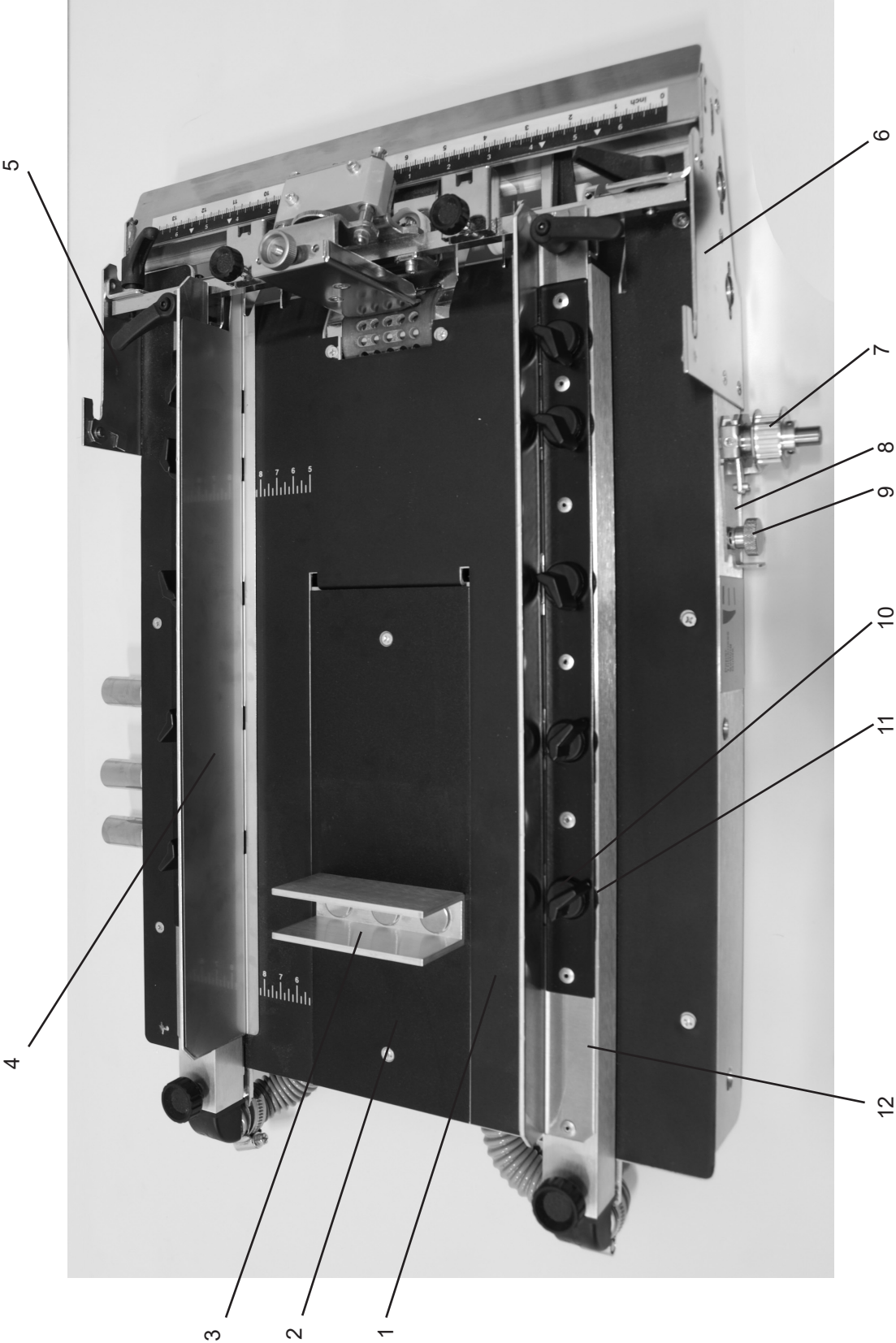
Mid-Volume Production Pressure Sealer



# TABLE OF CONTENTS

<b>SUBJECT</b>	<b>PAGE</b>
SUCTION TABLE	1-2
SUCTION TABLE & SUCTION DRUM	3-4
PAPER STOP, SPEED CONTROL	5-6
FOLD UNIT, RIGHT/OPERATOR SIDE	7-8
FOLD UNIT, LEFT/NON-OPERATOR SIDE	9-10
FOLD ROLLERS	11-12
SIDE COVERS	13
COVERS - TOP / FOLD PLATES	14
FOLD PLATES	15 - 16
STAND & BLOWER	17
MOTOR AND POWER BOARD	18
CONVEYOR	19-22
SEALER SIDE	23
SEALER EXIT	24
SEALER ROLLERS	25-26
SEALER OPERATOR SIDE	27
SEALER NON-OPERATOR SIDE	28
TRANSPORT SKI	29
<b>TRANSPORT DECK</b>	<b>30-31</b>
SEALER COVER	32
SEALER ELECTRIC	33

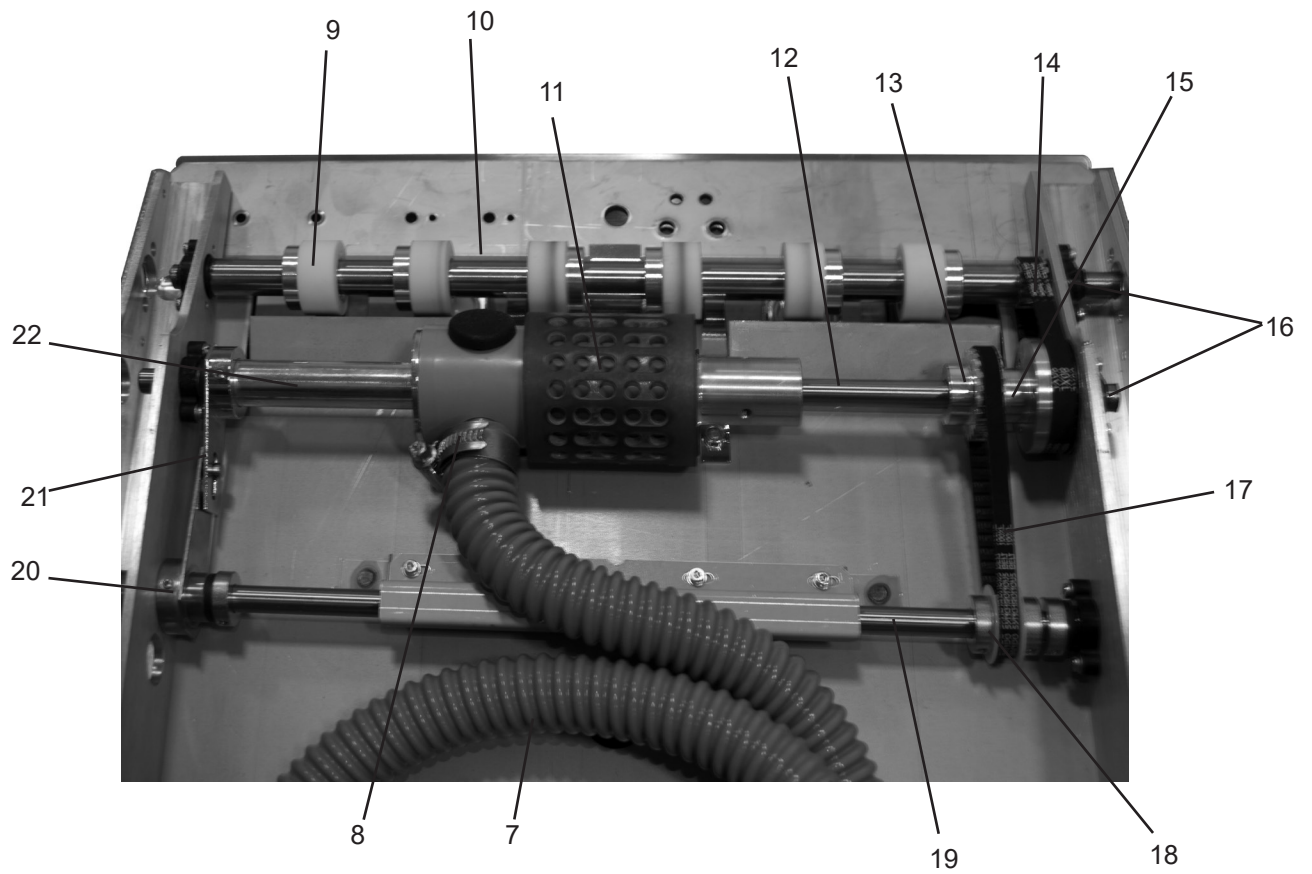
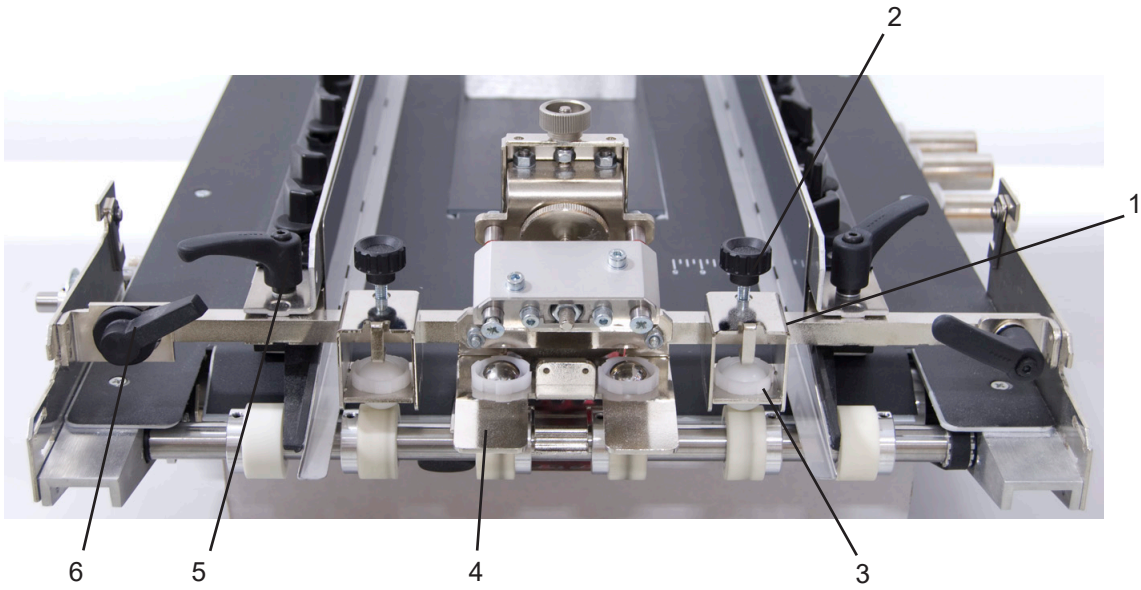
# SUCTION TABLE



# SUCTION TABLE

ITEM	PART #	DESCRIPTION	QTY
1	2038093	TABLE TOP	1
2	1045679	FOIL	1
3	5607049	STOP	1
4	4004128	AIR RAIL RIGHT	1
	2027622	BRACKET	1
	1037126	AIR SEAL RIGHT	1
	2036116	BRACKET	1
5	2022765	SIDE PLATE, LEFT	1
7	2022764	SIDE PLATE, RIGHT	1
8	1027189	TOOTH PPULLEY	1
9	4004135	ADJUSTING LEVER	1
10	3012205	KNUTLED SCREW	1
11	4004908	KNOB	10
12	1017437	BEARING	10
13	4004129	AIR RAIL LEFT	1
	2027622	BRACKET	1
	1037127	AIR SEAL LEFT	1
	2.036116	BRACKET	1

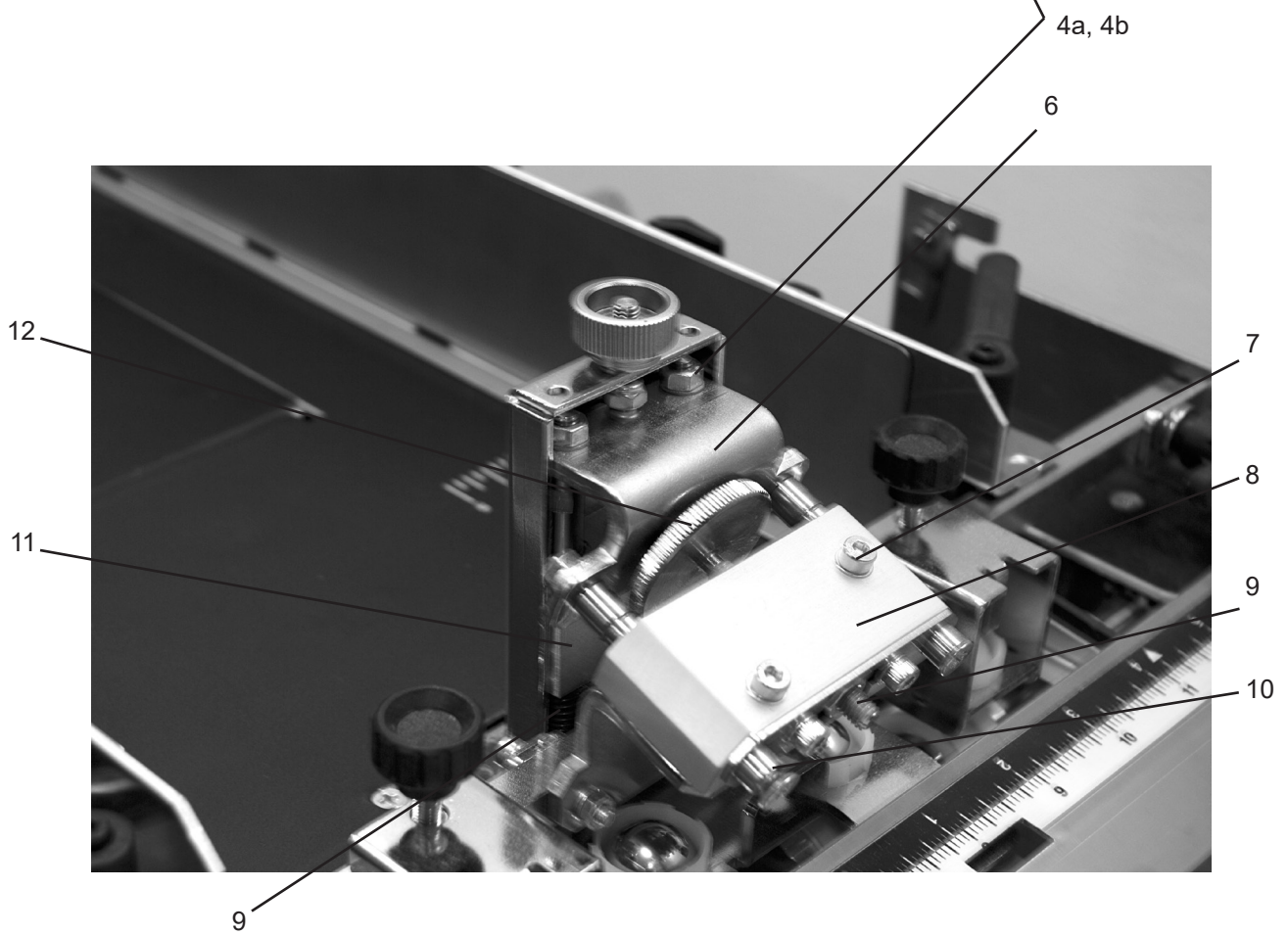
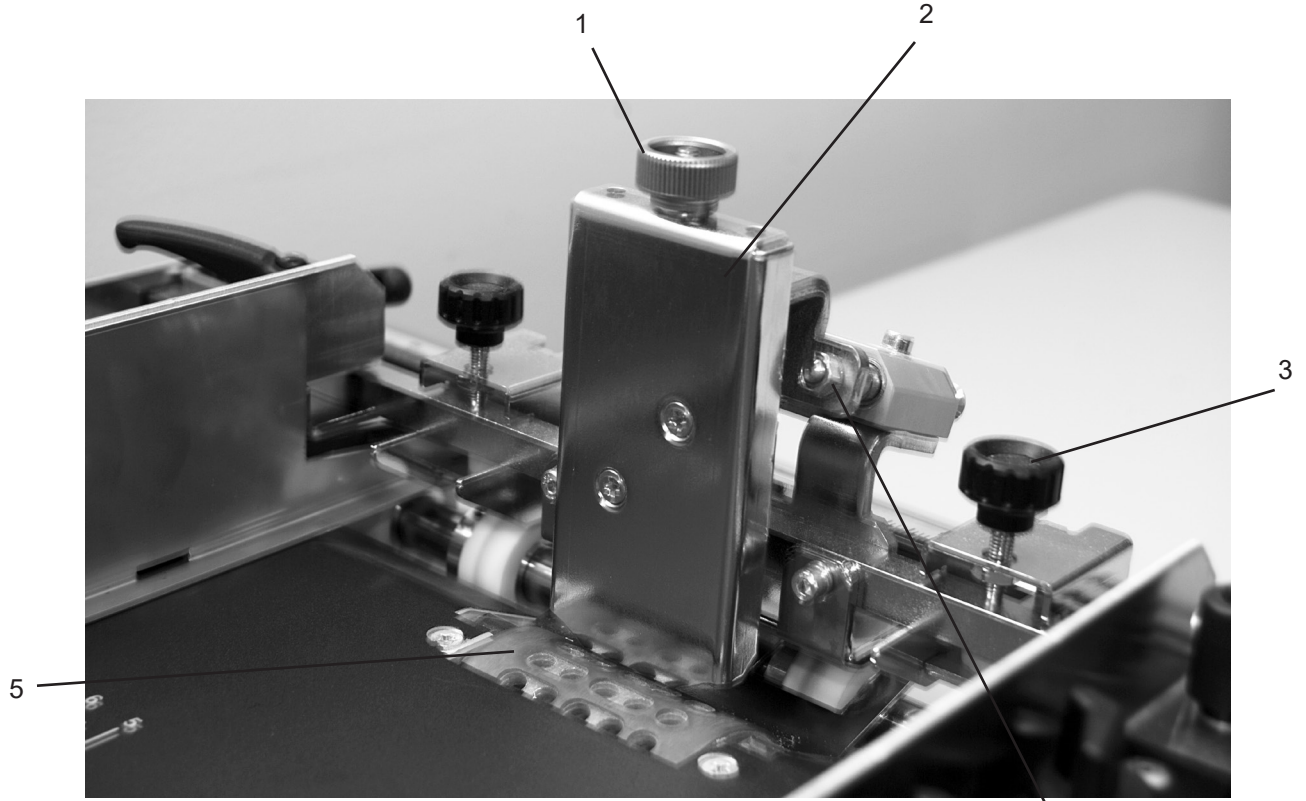
# SUCTION TABLE & SUCTION DRUM



## SUCTION TABLE & SUCTION DRUM

ITEM	PART #	DESCRIPTION	QTY
1	203223	BALL CAGE	2
2	5616002	BALL PLASTIC	2
2	1027426	KNURLED SCREW	2
4	2032386	GUIDE PLATE	1
5	1027295	CLAMP LEVER	3
6	4004346	ADJUSTMENT LEVER	1
7	2057072	HOSE	1
8	1027112	HOSE CLAMP	1
9	4005581	TRANSPORT ROLLER CPL.	6
10	4004991	SHAFT	1
11	4003897	VACUUM DRUM	1
12	2016893	SHAFT	1
13	2046165	TIMING BELT PULLEY	1
14	4005734	TIMING BELT PULLEY	1
15	1033005	TIMING BELT	1
16	1017129	FLANGE BEARING	5
17	1033008	TIMING BELT	1
18	1017129	TIMING BELT PULLEY	1
19	2016372	SHAFT	1
20	4004133	LEVER	1
21	4004132	LEVER	1
22	4004136	SUCTION PIPE	1

# PAPER STOP, SPEED CONTROL

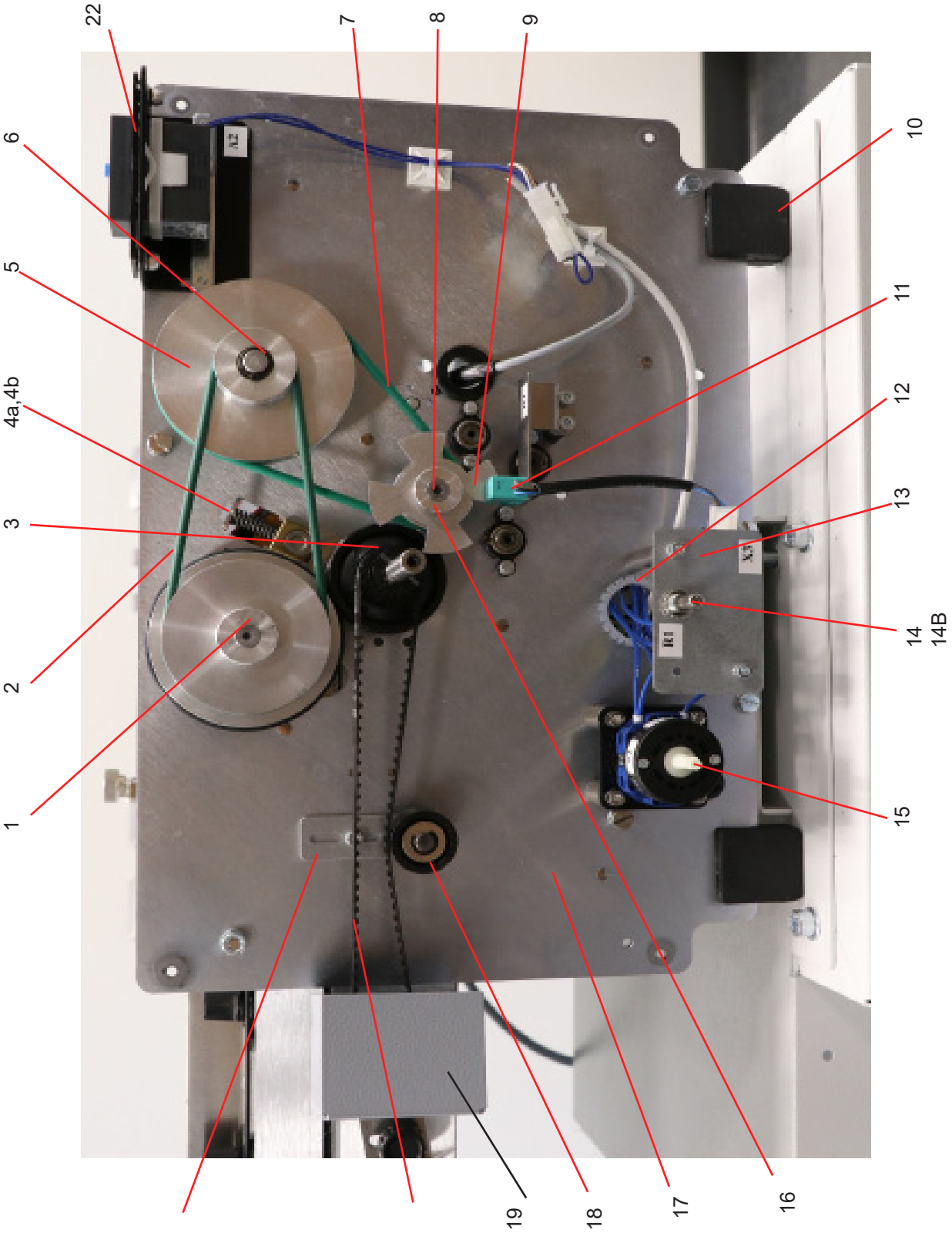




## PAPER STOP, SPEED CONTROL

ITEM	PART #	DESCRIPTION	QTY
1	1027497	KNURLED NUT	1
2	4006617	STOP CPL.	1
3	1027426	KNURLED SCREW M5X16	2
4a	1119321	WASHER DIN125	4
4b	1122003	HEXAGON NUT	4
5	4003897	SUCTION DRUM	1
6	2030000	ANGLE BRACKET	1
7	1143005	ALLEN SCREW M4X20	2
8	2066201	BLOCK	1
9	1003004	COMPRESSION SPRING	1
10	1185009	COUNTER SUN SCREW M5X8	4
11	2051438	GUIDE BLOCK	1
12	2013165	KNURLED DIAL	1

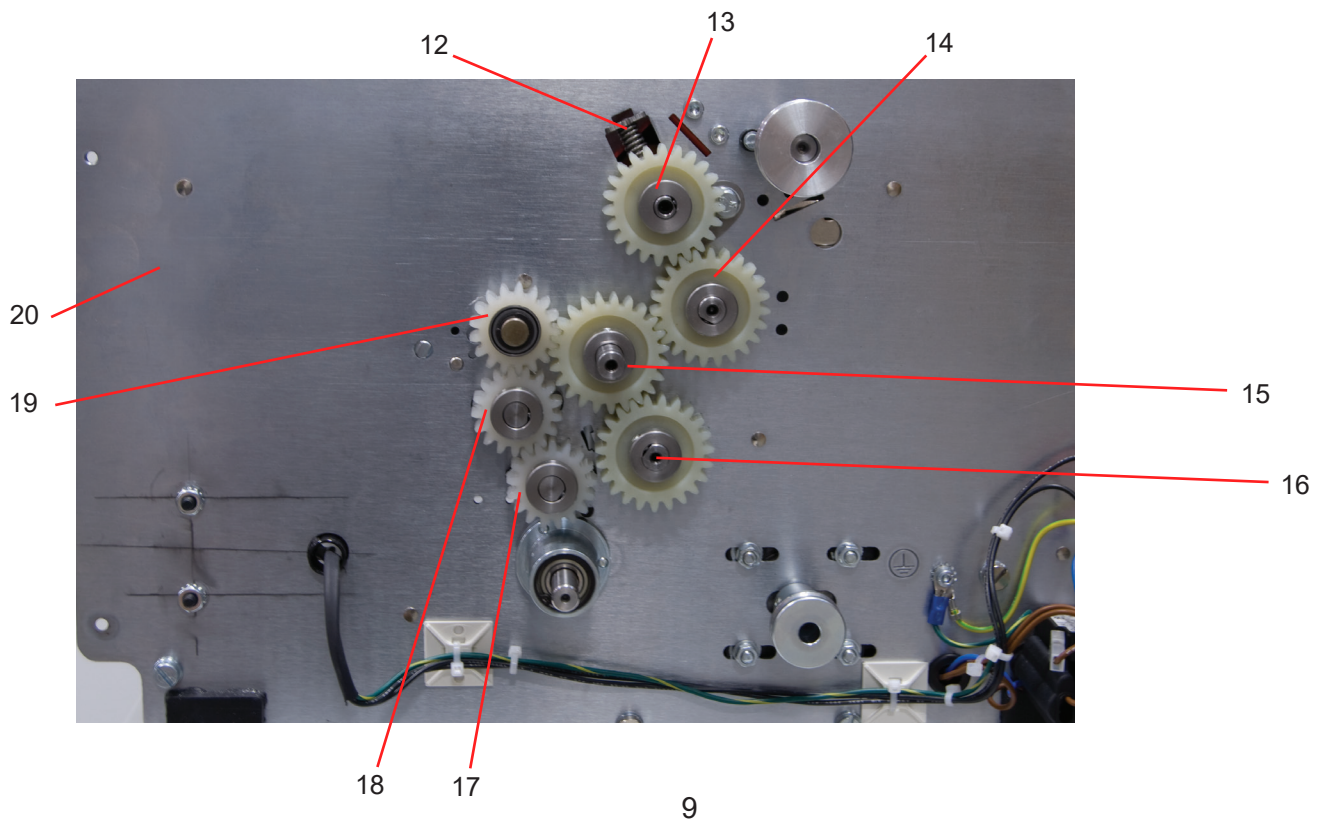
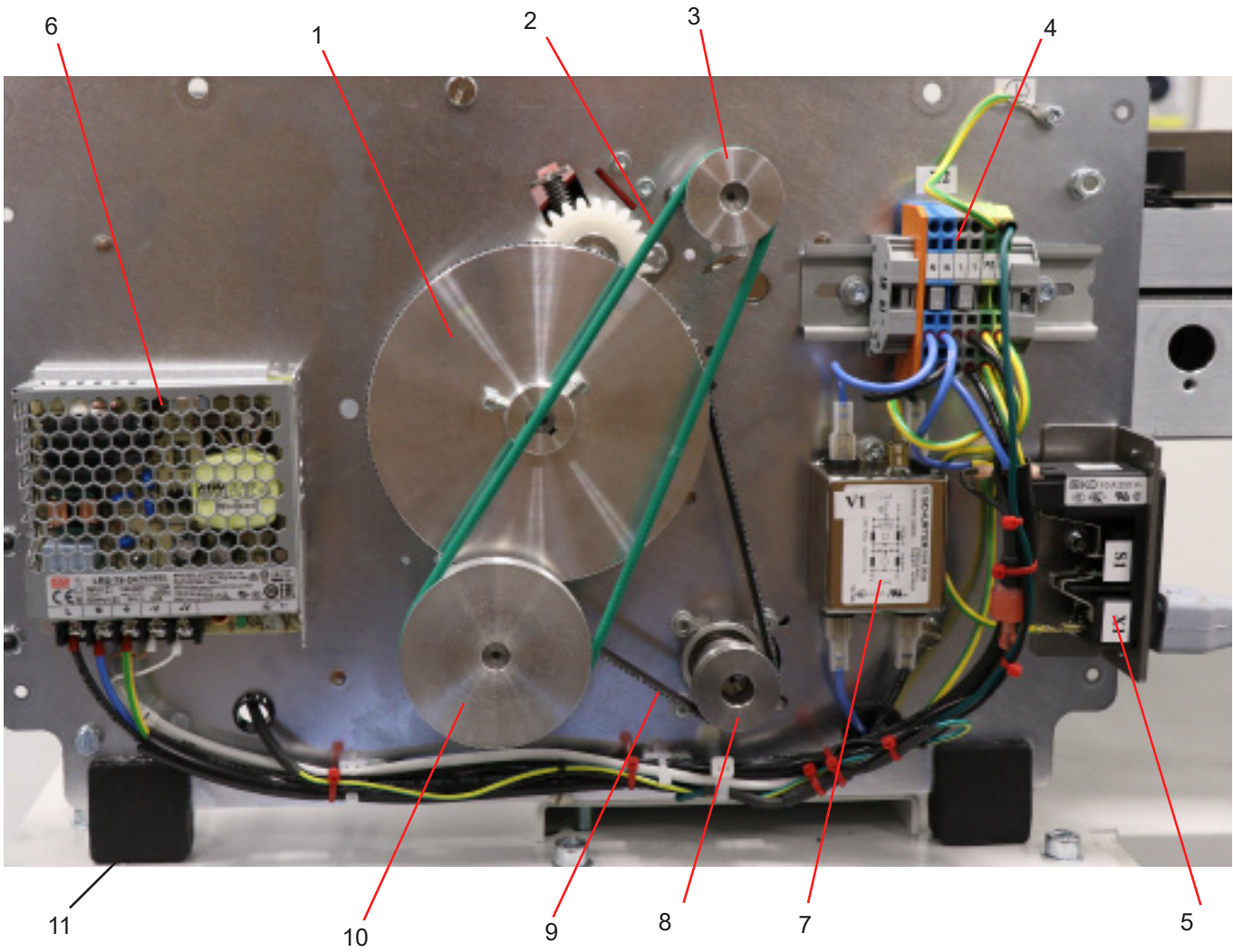
# FOLD UNIT, RIGHT/OPERATOR SIDE



## FOLD UNIT, RIGHT/OPERATOR SIDE

ITEM	PART #	DESCRIPTION	QTY
1	1025061	PULLEY	1
2	1033098	ROUND BELT	1
3	4004138	PULLEY	1
4a	3500114	SPRING PLATE	1
4b	1003058	PRESSURE SPRING	1
5	4001913	PULLEY	1
6	1110008	C CLIP	1
7	1033016	ROUND BELT	1
8	1500023	POTENTIOMETER	1
9	4011948	ENCODER DISK	1
10	1019183	FOOT	4
11	1500476	PHOTODETECTOR	1
	2029238	BRACKET	1
12	2054137	EDGE PROTECTOR	1
13	2022136	PLATE	1
14	1027332	SPEED CONTROL KNOB ONLY	1
14B	1500023	SPEED CONTROL/POTENTIOMETER	1
15	1030427	POWERSWITCH	1
16	2011780	PULLEY	1
17	4006375	SIDE PLATE, RIGHT	1
18		PULLEY	
19	2029655	COVER	1
20	1033005	TOOTHED BELT	1
21		BRACKET	
22	1500673	COUNTER ASSEMBLY	1

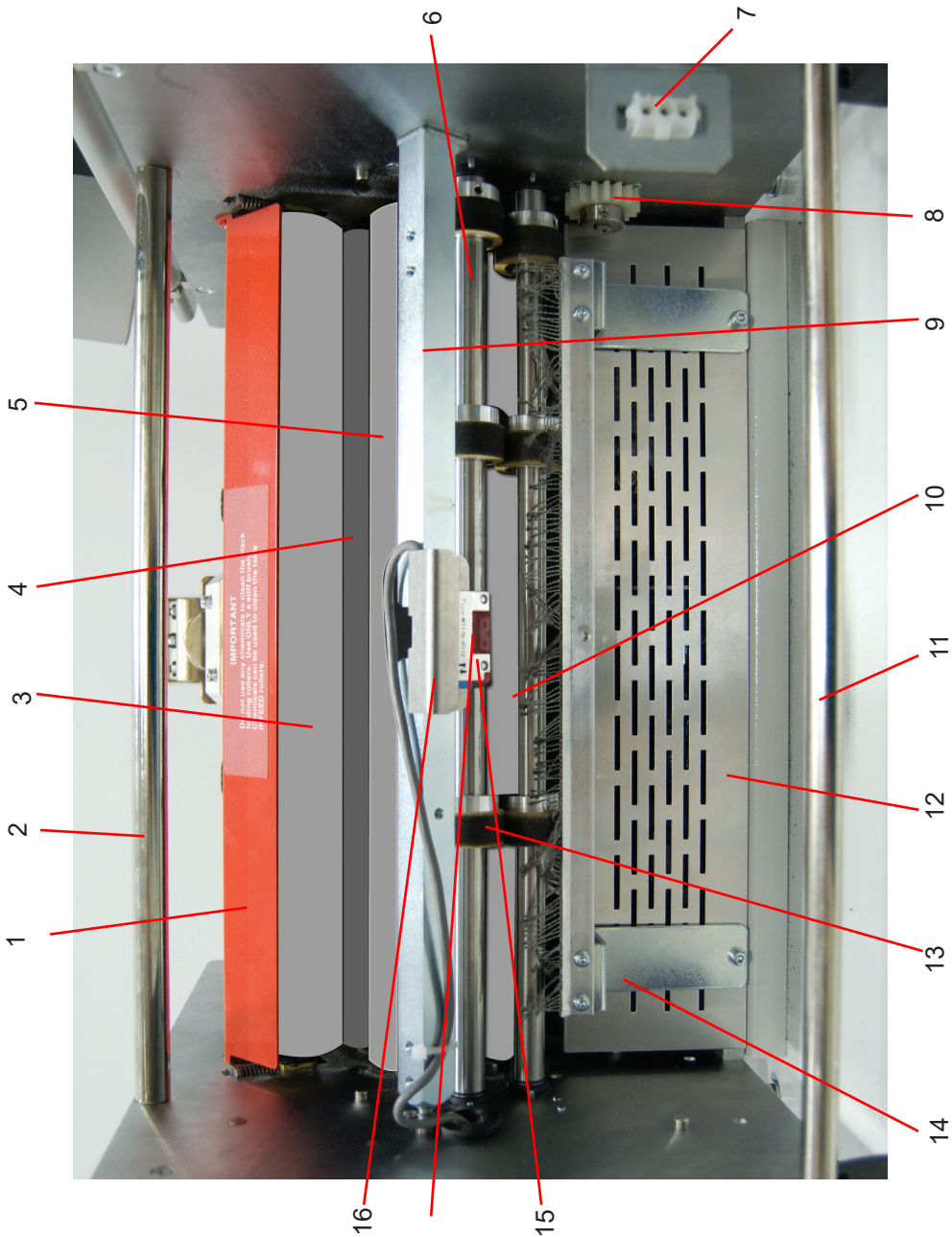
# FOLD UNIT, LEFT/NON-OPERATOR SIDE



## FOLD UNIT, LEFT/NON-OPERATOR SIDE

ITEM	PART #	DESCRIPTION	QTY
1	1025063	Pulley	1
2	1033018	Round Belt	1
3	2011780	Pulley	1
4			
5	1030338 1030340	Plug, Main Switch, and Fuse Holder (X1,S1,F1)	
	1030195	Fuse Holder	1
	1030196	Cover 120V	1
	1030197	Cover 230V	1
	1030192	G-fuse SPT8A	1
	1030193	G-fuse T8A	1
	1030195	Fuse Holder	1
	1030196	Cover 120V	1
	1030197	Cover 230V	1
	1030192	G-fuse SPT8A	1
	1030193	G-fuse T8A	1
6	1500048	Power Supply (A1)	1
7	1500224	Line Filter (V1)	1
8	2012563	Pulley	1
9	1033015	V-belt	1
10	1025061	Pulley	1
11	1019183	Foot	4
12	3500114	Spring Plate	1
	1003058	Pressure Spring	1
13	4004389	Gear	1
	4001917	Bearing CPL.	1
14	4004465	Gear	1
	4004383	Flange Bearing	5
15	4006465	Gear	1
16	4004465	Gear	1
17	4004415	Gear	1
18	4004415	Gear	1
19	4005622	Gear	1
20	4006376	Side Plate, Left	1

# FOLD ROLLERS



# FOLD ROLLERS

FOLD ROLLERS EJECTOR SHAFTS			
ITEM	PART #	DESCRIPTION	QTY
1	2029518	COVER PLATE	1
2	2016376	SPACER ROD	1
3	4001909	ROLLER CPL.	1
4	4001918	ROLLER CPL.	1
5	4001910	ROLLER CPL.	1
6	3500174	GEAR	1
7	395-1347	INTERLOCK ASSY	1
8	3500174	GEAR	1
9	2016827	SHAFT	2
10	4001919	ROLLER CPL.	1
11	2016378	SPACER ROD	1
12	2026552	COVER PLATE	1
13	3500515	TRANSPORT ROLLER CPL.	6
14	4006607	ANTISTATIC BRUSH	1
15		PHOTO EYE	1
16		PHOT EYE BRACKET	1

# SIDE COVERS



ITEM	PART #	DESCRIPTION	QTY
1	4006774	OPERATOR SIDE COVER	1
2	4006019	NON-OPERATOR SIDE COVER	1

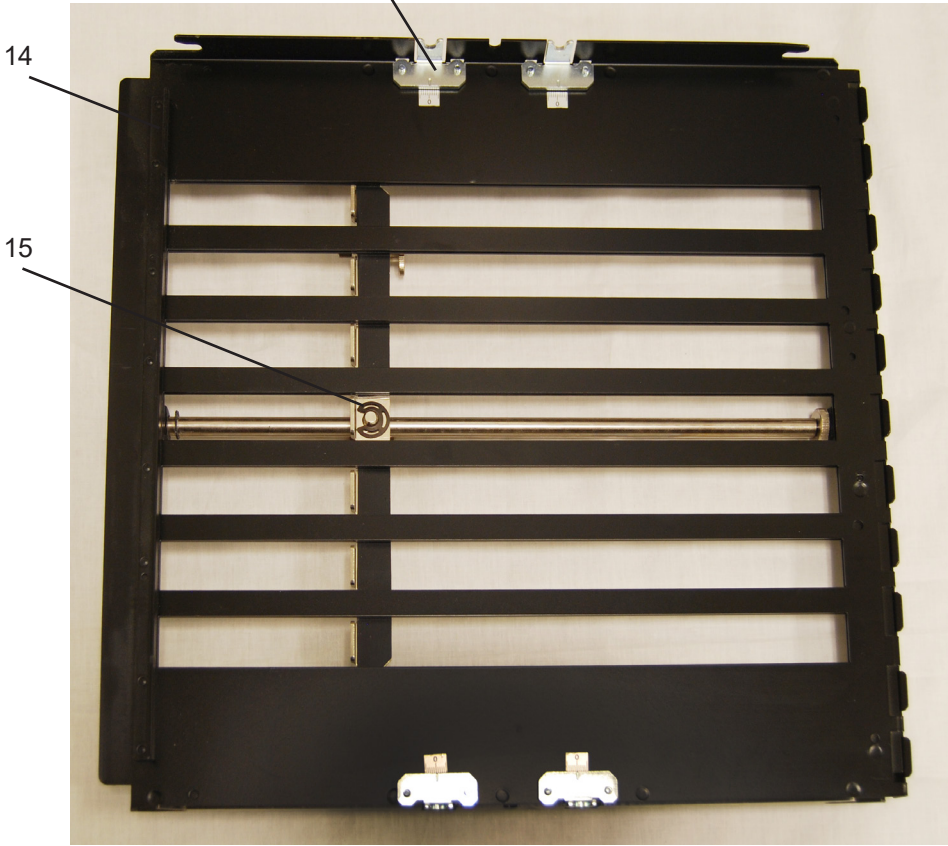
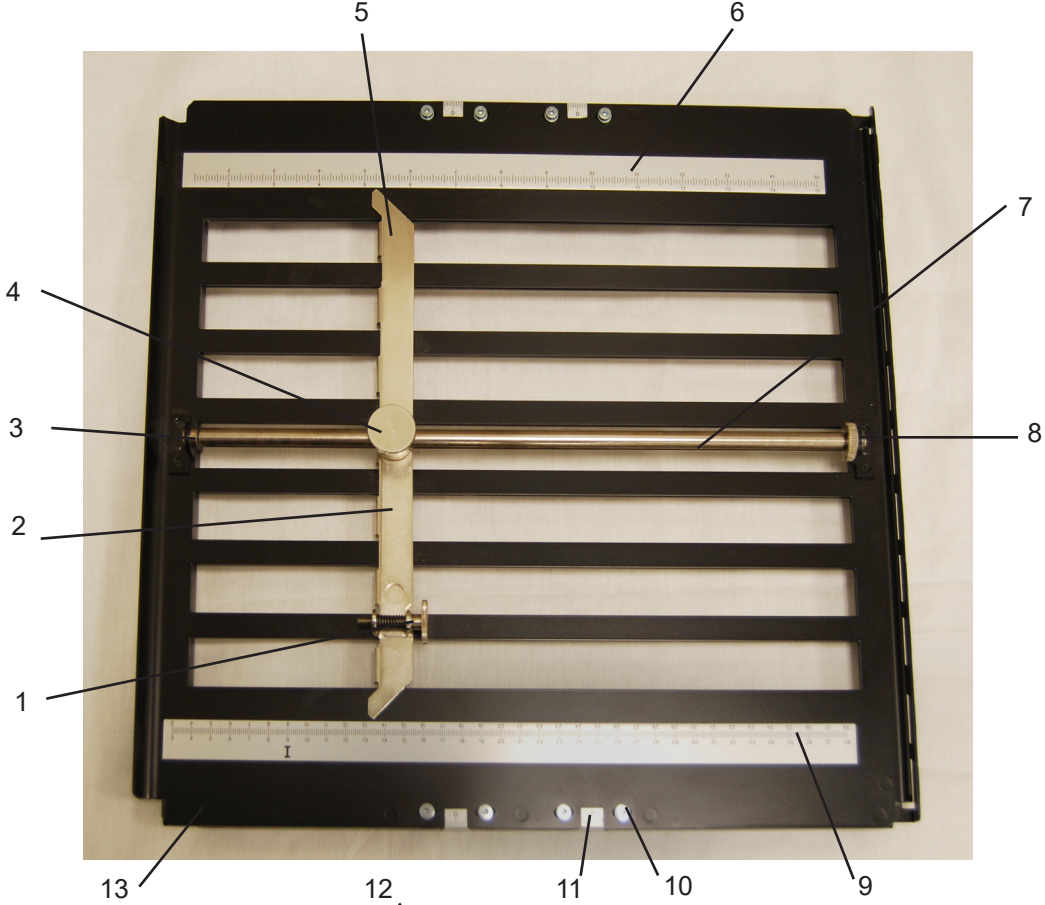


# COVERS - TOP / FOLD PLATES



ITEM	PART #	DESCRIPTION	QTY
1	4006316	TOP COVER	1
2	4006317	UPPER FOLD PLATE COVER	1
3	2029545	LOWER FOLD PLATE COVER	1

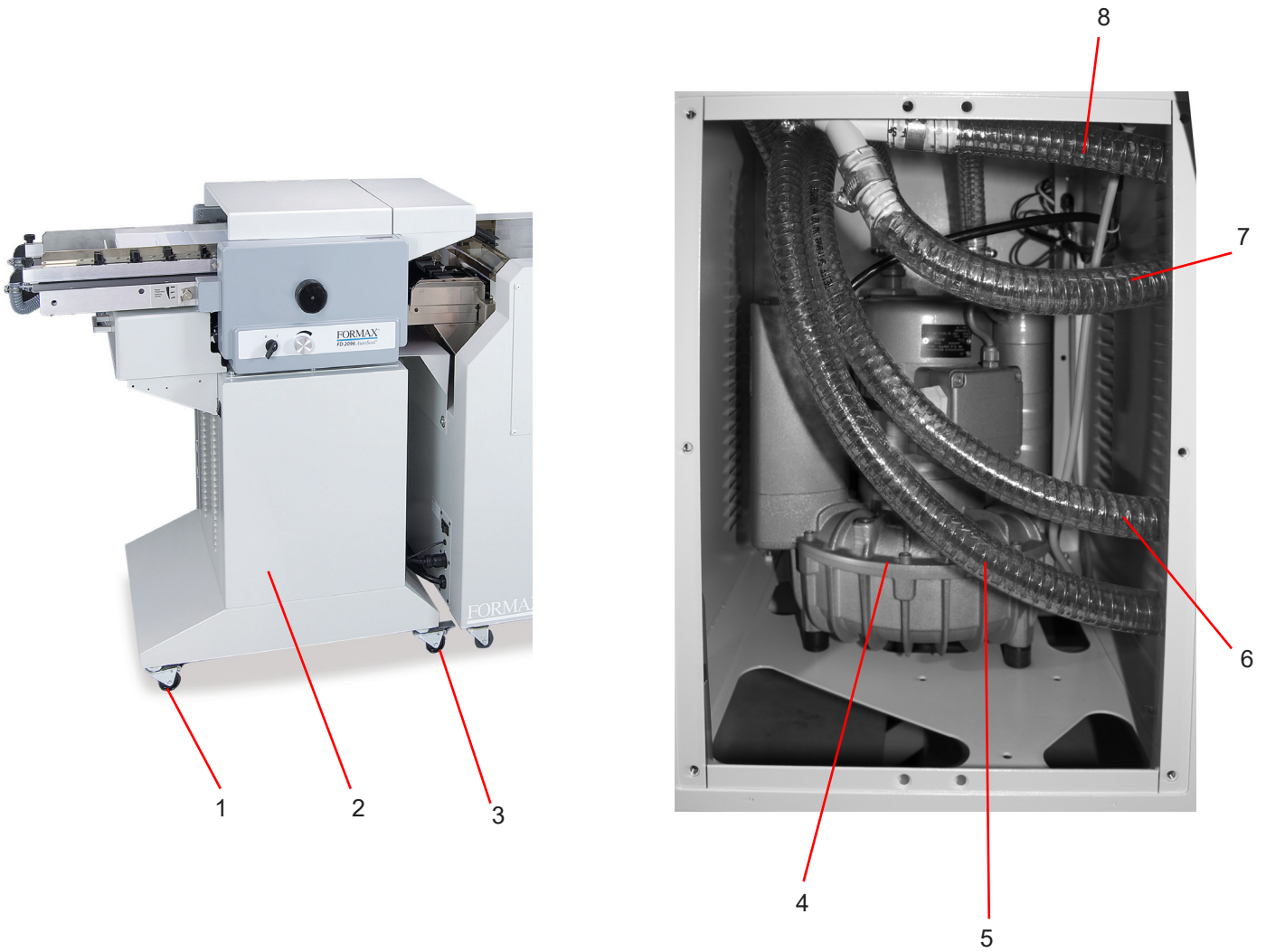
# FOLD PLATES



# FOLD PLATES

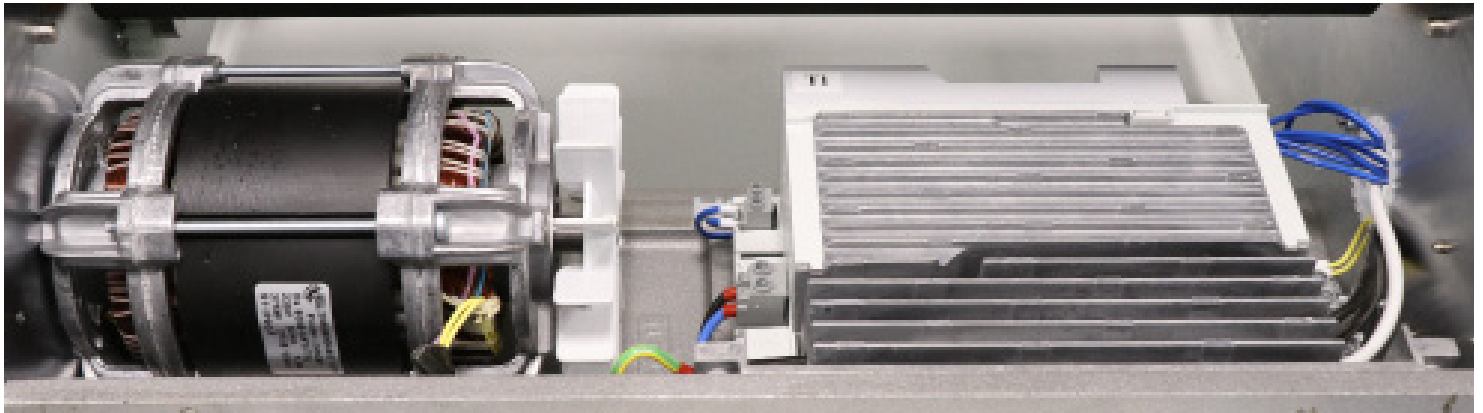
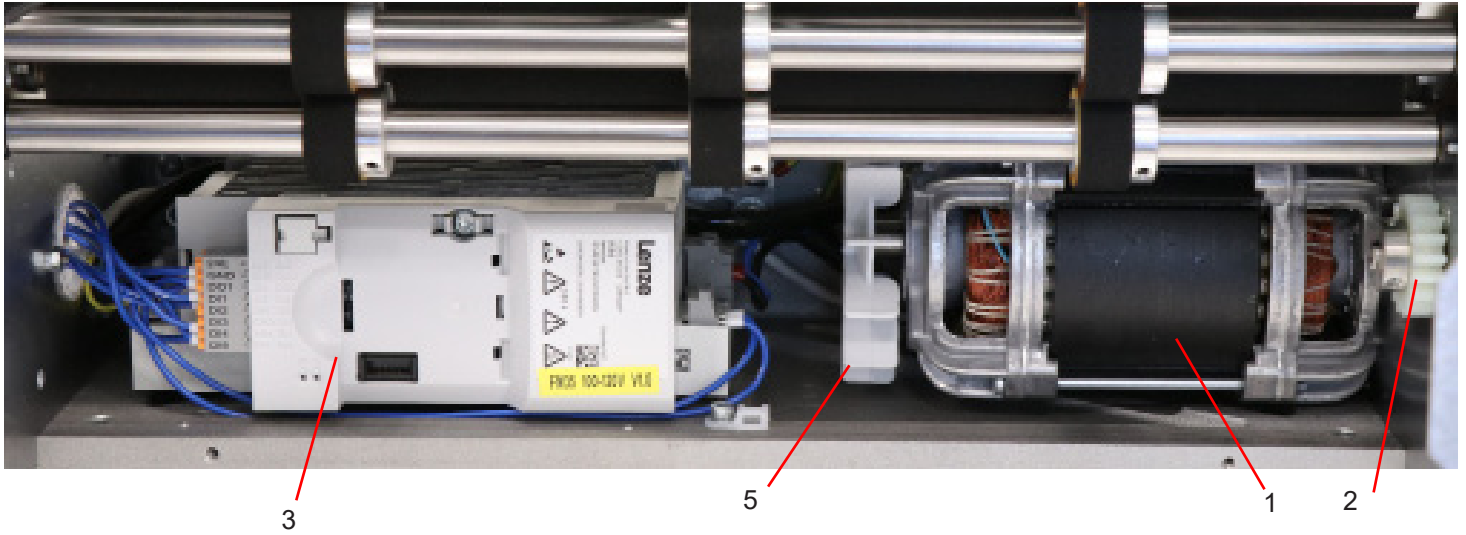
ITEM	PART #	DESCRIPTION	QTY
-	4006313	FOLD PLATE I CPL.	1
-	4006306	FOLD PLATE II CPL.	1
1	2012350	KNURLED SCREW	1
	1003044	PRESSURE SPRING	1
2	4001911	LEVER CPL.	1
3	1110008	C-CLIP	1
4	2012520	KNURLED SCREW	1
5	2056556	PAPER STOP	1
6	1043025	SCALE INCHES	1
7	2016568	SHAFT	1
8	2011949	KNURLED NUT	1
	1027183	SPACER WASHER	1
	1191016	SHIM	1
	1133002	C CLIP	
9	1027183	SCALE INCHES	1
10	1200010	CYL. HD. SCREW	8
11	1043079	SCALE	8
12	2029729	BRACKET	4
13	2026560	FOLD PLATE TOP	1
14	2026559	FOLD PLATE BOTTOM	1
15	1062002	LOCKING CLIP	1

# STAND & BLOWER



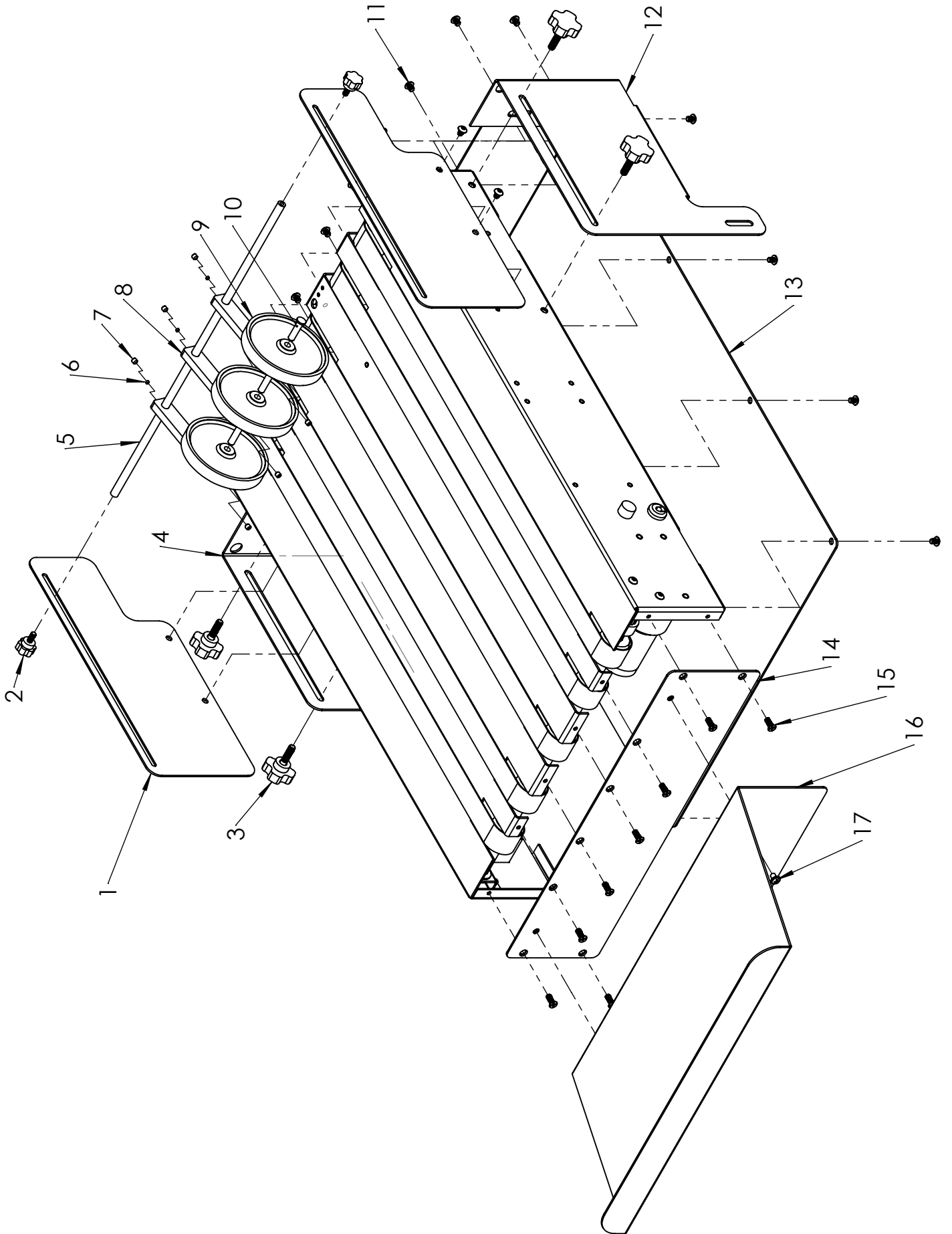
STAND, BLOWER			
ITEM	PART #	DESCRIPTION	QTY
1	1027556	CASTER WITH BRAKE	2
2	4006633	STAND	1
3	1027222	CASTER, FIXED	2
4	4006824	BLOWER 230V	1
	4006825	BLOWER 120V	1
5	2057076	HOSE	1
6	2057076	HOSE	1
7	5604004	HOSE	1
8	2057084	HOSE	1

# MOTOR AND POWER BOARD



ITEM	PART #	DESCRIPTION	QTY
1	4011949	Motor 120V	1
2		Gear	4
3	1500680	Frequency Converter (T1)	1
4	4003970	Wiring Harness	1
5		Fan	1
6	1143058	Allen Screw	4
7	2031817	Angle Brackett	1
8	4003925	Cable	1
9	1029290	Ground Screw M4	1

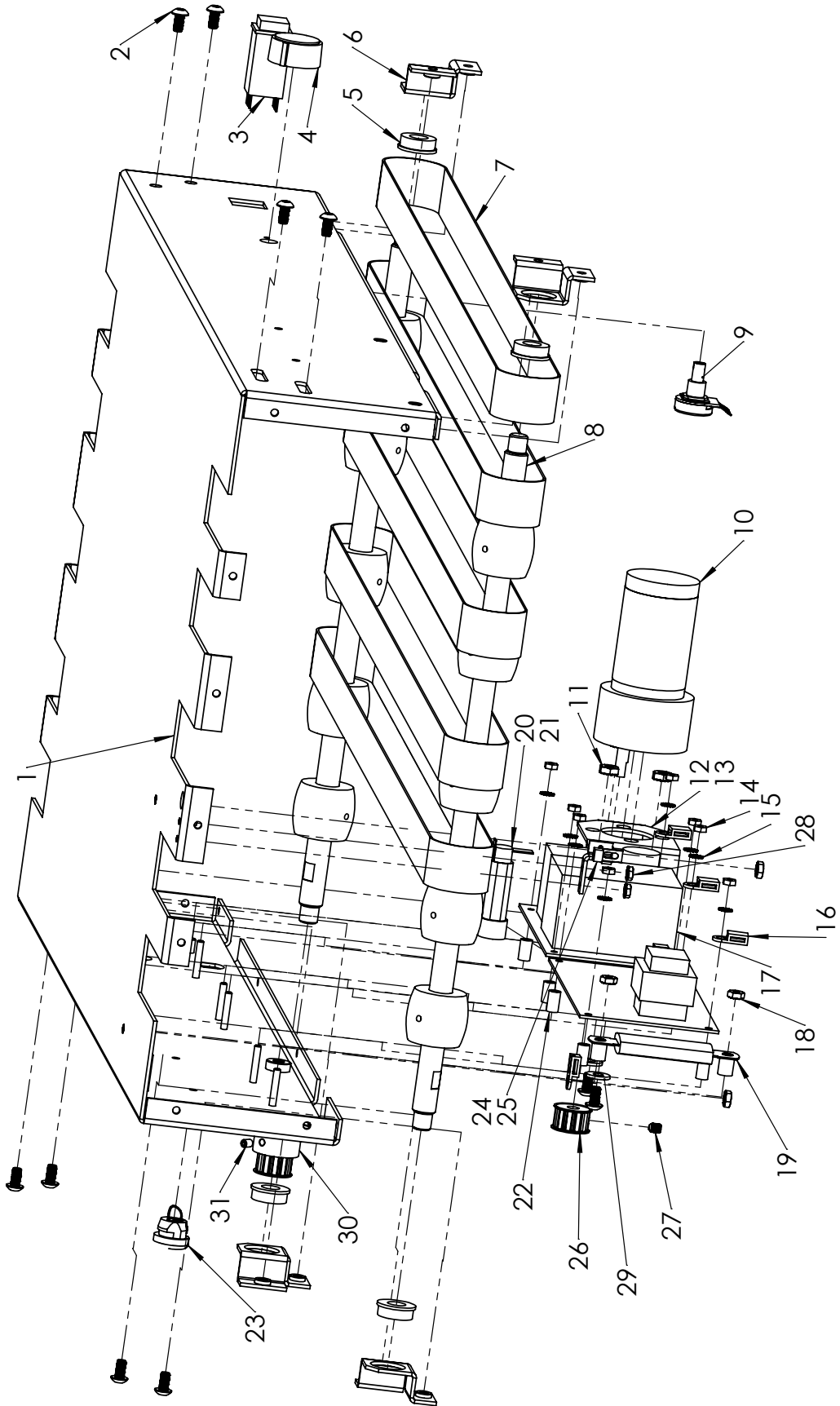
# CONVEYOR



# CONVEYOR

ITEM #	PART #	DESCRIPTION	QTY
1	360-3039	KNOCK DOWN BRACKET	2
2	372-0124	HAND KNOB 10-32	2
3	395-1308	HAND KNOB, 1/4-20 BOLT	4
4	360-3037	FRONT STACKER MOUNTING BRACKET	1
5	332-0202	KNOCK DOWN ROD, 2 FT STACKER - MIH	1
6	380-5538	NYLON PELLET	3
7	376-0077	10-32 SETSCREW	6
8	361-8136	STACKER WHEEL ARM	3
9	320-0011	WEIGHTED STACKER WHEEL, OFP	3
10	330-8137	WHEEL AXLE	3
11	375-5699	SCREW 10-32 X 1/4 BUTTON HD CA	28
12	360-3038	REAR STACKER MOUNTING BRACKET	1
13	360-3041	BOTTOM PAN, 2 FT STACKER	1
14	360-3057	OUTFEED PLATE, 2 FT STACKER	1
15	375-0110	10-32 x 1/2 PHILLIPS FLAT HEAD SCREW	8
16	360-3044	TRAY, 2 FT STACKER	1
17	373-0081	10-24 x 1/4 PHILLIPS PAN HEAD SCREW	2

# CONVEYOR

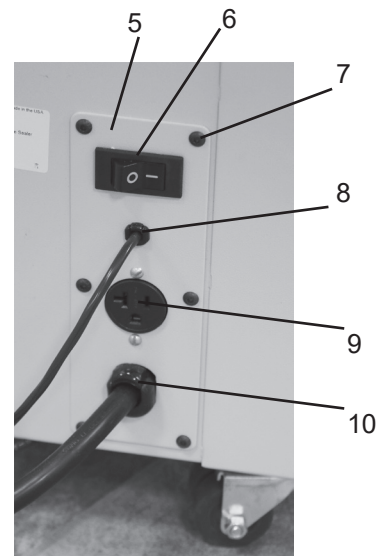




# CONVEYOR

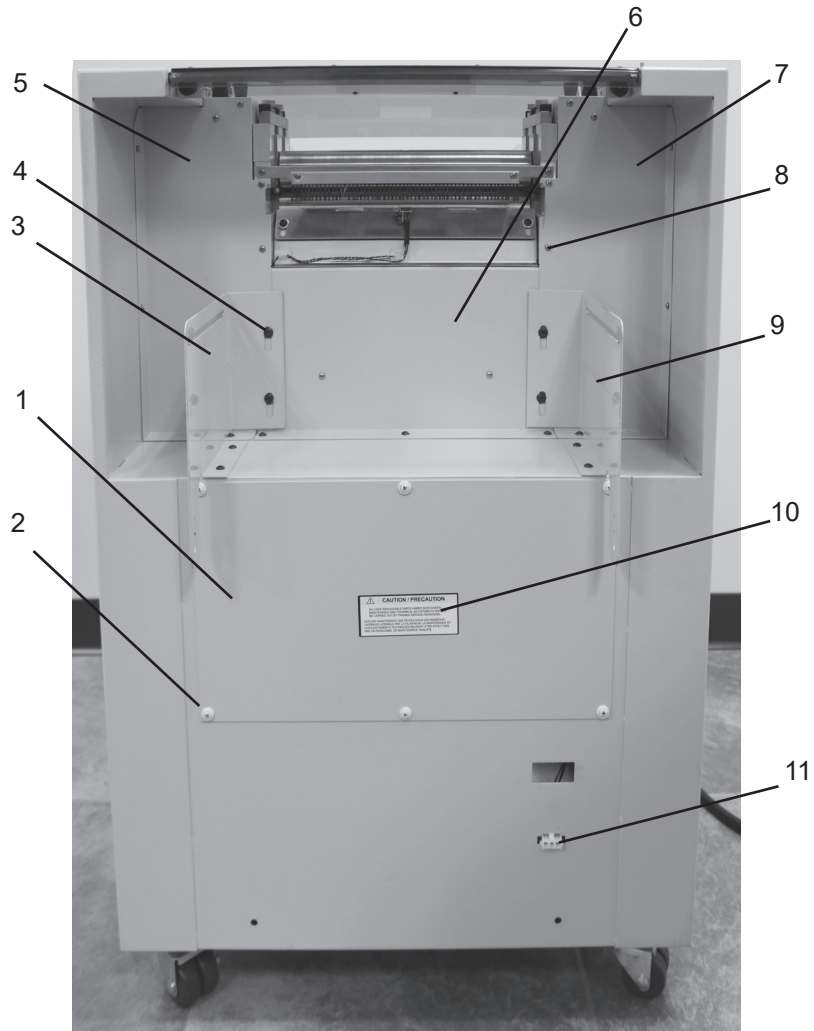
ITEM#	PART #	DESCRIPTION	QTY.
1	360-3040	DECK, 2FT STACKER	1
2	375-5983	10-32 x 3/8 BTHD SOC SCREW	10
3	311-0023	SWITCH, PUSHBUTTON	1
4	372-0061	CONTROL KNOB	1
5	370-0034	FLANGED BEARING ID 10mm OD 19mm	4
6	360-3043	SHAFT MOUNTING BRKT, 2 FT STACKER	4
7	369-0049	TRANSPORT BELT, 2FT STACKER	5
8	395-1354	SHAFT ASSY, 2FT STACKER	2
9	319-0031	REMOTE POTENTIOMETE	1
10	313-0043	MOTOR 12 VDC	1
11	378-0004	10-32 KEP NUT	3
12	360-3042	MOTOR BRKT, 2FT STACKER	1
13	315-5096	PULL TIE MOUNT	5
13	350-0040	MOTOR GROMMET	2
14	378-0104	6-32 x 1/4 HEX NUT	8
15	377-1087	#6 EXT STAR WASHER	8
17	390-1424	PCB MOTOR CONTROL	1
18	378-9500	6-32 KEP NUT	4
18	490-0022	MODULATED BEAM PCB	1
19	319-5762	RESISTOR 40 WATT	1
20	317-0006	SHOCK-SAFE FUSE HOLDER	1
21	317-5183	1 AMP FUSE	1
22	381-0107	#6 NYLON SPACER	8
23	315-0020	STRAIN RELIEF	1
24	310-0134	PHOTO EYE HARNESS	1
25	360-3045	SENSOR MOUNT, 2 FT STKR	1
26	365-0165	12XL037 PULLEY 1/4 INCH BORE	1
27	376-0006	10-32 SET SCREW, FLAT POINT	1
28	378-0003	4-40 KEP NUT	2
29	377-5298	#10 FLAT WASHER	2
30	365-0167	12XL037 PULLEY 1/2 INCH BORE	1
31	376-0069	SET SCREW 8-32 x 1/4	1
<b>NOT SHOWN</b>			
	310-0320	WIRE HARNESS 2 FT STACKER	1
	310-0322	CABLE ASSY. 2 FT STACKER	1
	310-0326	LINE VOLTAGE HARNESS	1
	329-4039	TIMING BELT	1

# SEALER SIDE



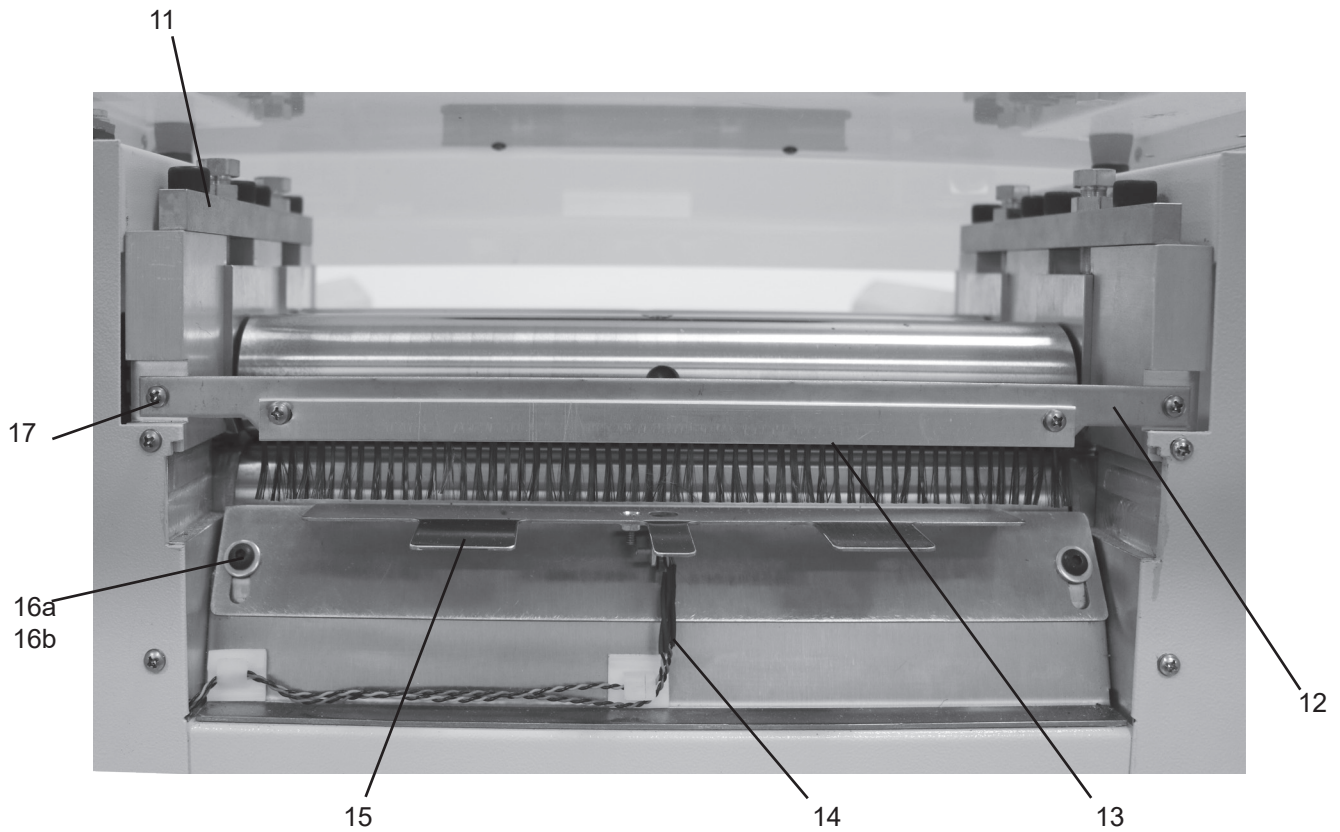
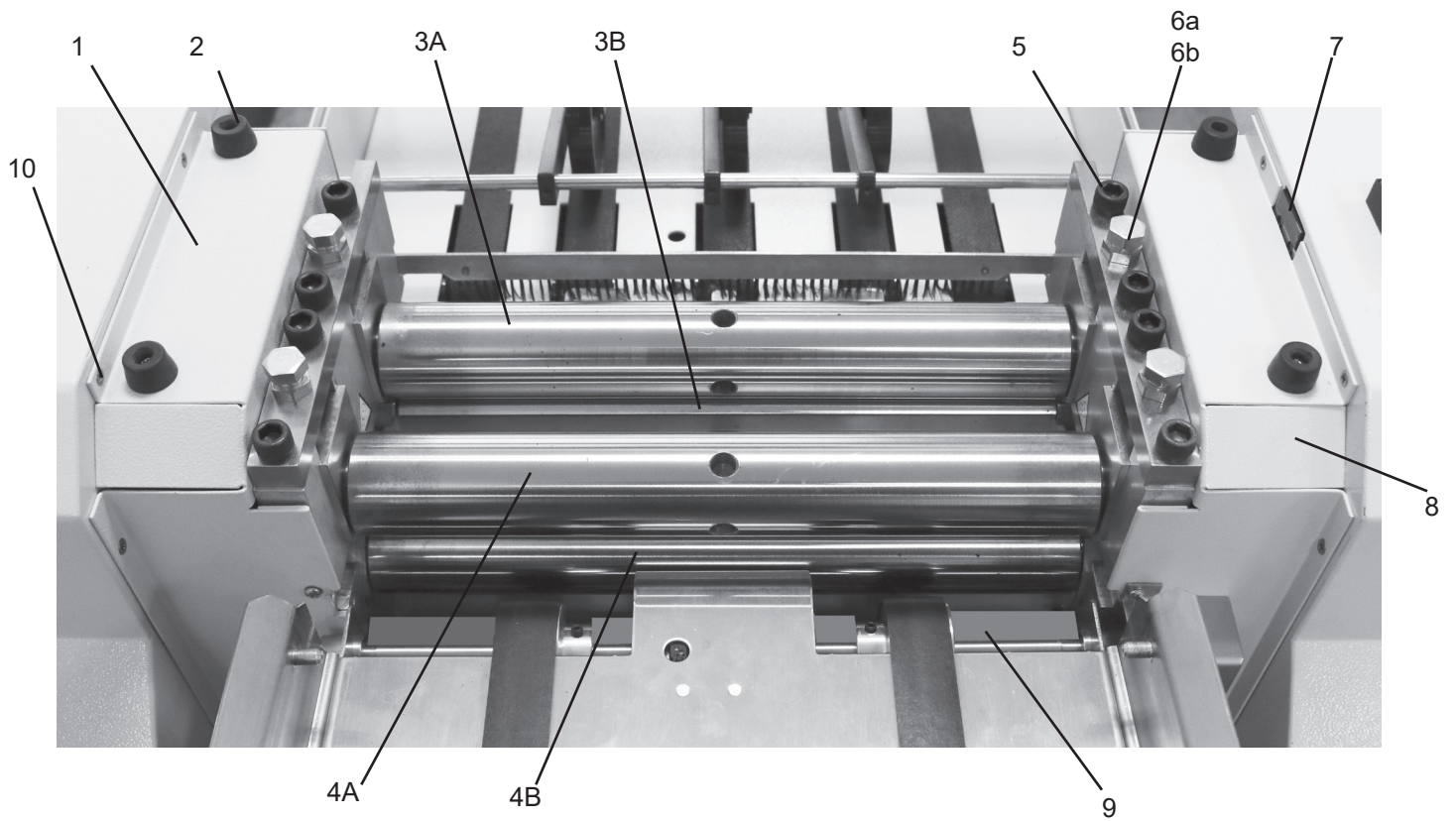
#	Part #	Description	Qty
1	360-2385	ACCESS DOOR	2
2	311-0123	START - STOP SWITCH (GREEN N.O.) (RED N.C.)	1
3	373-0106	PPH, SCREW 10-32 SPL (WHITE)	8
4	372-0080	CASTOR, DUAL WHEEL	4
5	360-3047	INTERFACE PLATE	1
6	317-0055	CIRCUIT BREAKER 10 AMP ROCKER	1
7	375-5699	SCREW 10-32 X 1/4 BUTTON HD CA > <	6
8	310-0323	WIRE HARNESS, SEALER INTERFACE	1
9	310-0321	WIRE HARNESS, POWER IN	2
10	310-0262	POWER CORD 10/3 30A 125V	1
11	360-2004	CABINET BASE	

# SEALER EXIT



#	Part #	Description	Qty
1	360-2010	COVER, ELECT ACCESS	2
3	373-0106	PPH, SCREW 10-32 SPL (WHITE)	6
3	360-3037	FRONT STACKER MOUNTING BRACKET	1
4	375-0023	SCREW	4
5	360-2008	RR INNER COVER, LEEFT	1
6	360-2003	MOTOR CHASSIS	1
7	360-2006	RR INNER COVER, RIGHT	1
8	375-5699	SCREW 10-32 X 1/4 BUTTON HD CA	15
9	360-3038	REAR STACKER MOUNTING BRACKET	2
10	325-5078	ELECTRICAL WARNING DECAL MID	1
11	310-0319	WIRE HARNESS 220030 SEALER	1

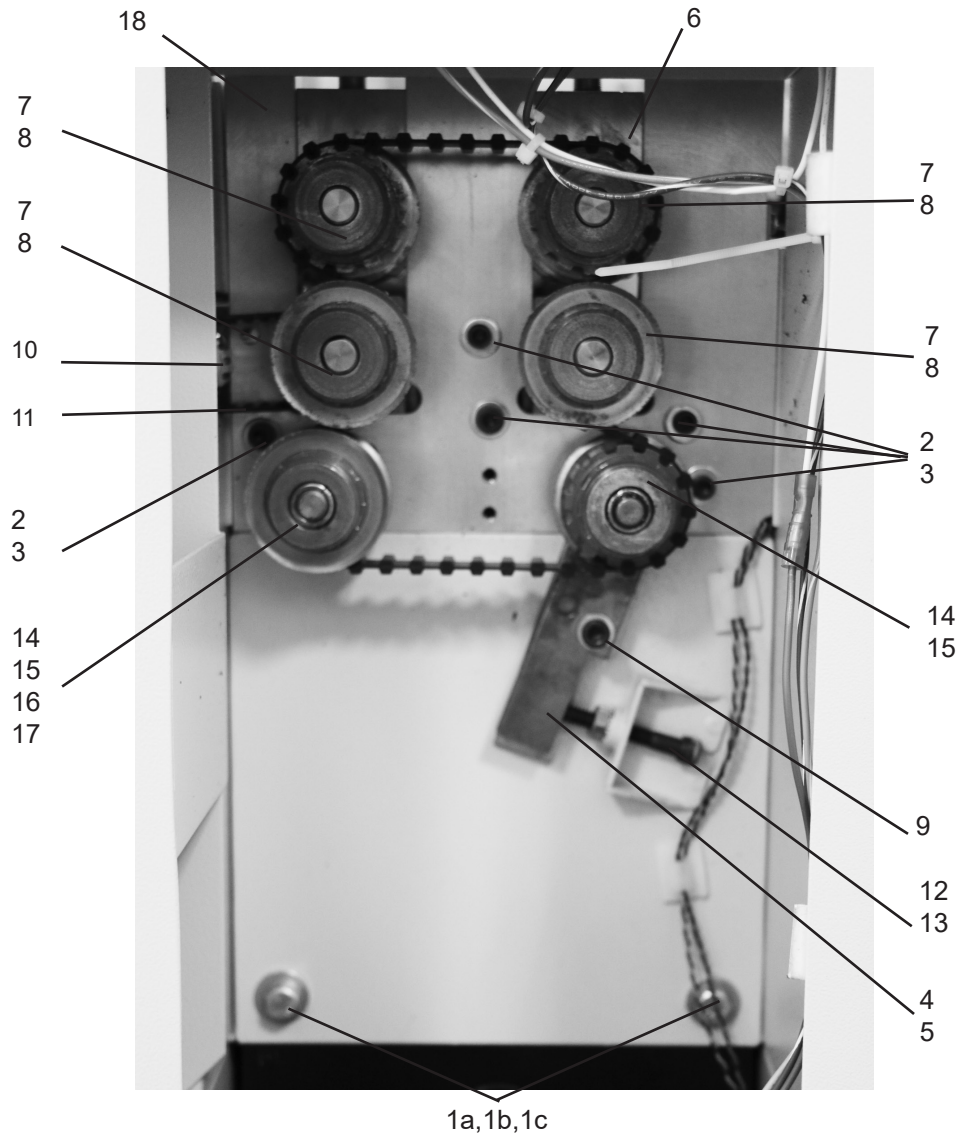
# SEALER ROLLERS



# SEALER ROLLERS

#	Part #	Description	Qty
1	360-2007	INNER COVER, LEFT	1
2	352-9576	SUPPORT BUMPER	4
3A	395-0767	UPPER DRIVEN OUTFEED ROLLER ASSY (Serial # K181019 and below)	1
3A	395-1395	DRIVEN ROLLER ASSY (Serial # K181020 and above) **Does not include Bearing Blocks: 395-1393 x2	1
3B	395-0991	LOWER DRIVEN OUTFEED ROLLER ASSY (Serial # K181019 and below)	1
3B	395-1395	DRIVEN ROLLER ASSY (Serial # K181020 and above) **Does not include Bearing Blocks: 395-1393 x2	1
4A	395-0785	UPPER ROLLER ASSY W/HOLES (Serial # K181019 and below)	1
4A	395-1396	UPPER ROLLER ASSY W/HOLES (Serial # K181020 and above) **Does not include Bearing Blocks:395-1393 x2	1
4B	395-1287	FRICTION DRIVE ROLLER ASSY (Serial # K181019 and below)	1
4B	395-1394	FRICTION DRIVE ROLLER ASSY (Serial # K181020 and above) **Does not include Bearing Blocks: 395-1393 x2	1
5	375-0102	BOLT 3/8 x 1 1/4 SOC HD SCREW 8	
6A	378-0118	3/8"-40 HEX JAM NUT	4
6B	375-0103	3/8" X 1 1/4' HEX HD	4
7	319-0213	PROXIMITY SENSOR	1
8	360-2005	INNER COVER, RIGHT	1
9	332-0093	CROSSBAR	2
10	375-6625	6-32 X 3/8" PHIL DRIVE FLAT HD	
11	360-1283	BRACKET SIDE FRAME CAP	2
-	395-0947	STATIC BRUSH ASSEMBLY	1
12	360-2064	BRKT. STATIC BRUSH	1
13	316-0011	STATIC WAND	1
14	310-0134	PHOTO-EYE HARNESS	1
15	360-3049	INFEED RAMP	1
16A	375-5699	SCREW 10-32 X 1/4 BUTTON HD CA	2
16B	377-5298	#10 FLAT WASHER	2
17	373-5893	LONG INTERNAL 6 X 32	10
-	332-0141	JAM CLEARING TOOL	1

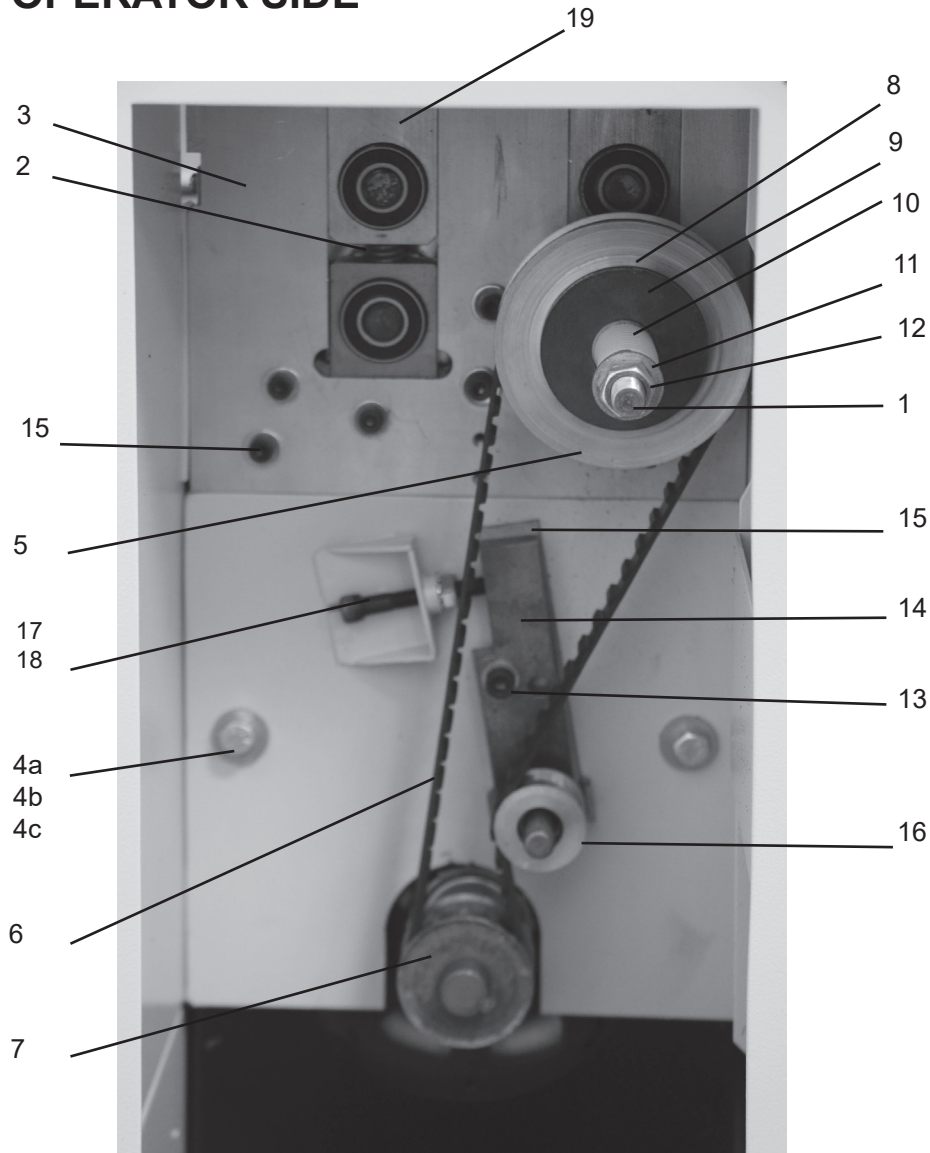
# SEALER OPERATOR SIDE



#	Part #	Description	Qty
1a	375-0030	1/4-20 X 3/4 SCREW	2
1b	377-1813	1/4" WASHER	2
1c	377-2611	WASHER 1/4" SPLIT LOCK	2
2	374-0096	#10 -32 X 1.00, SOCKET HEAD SCREW	5
3	377-5298	# 10 FLAT WASHER	5
4	334-0371	IDLER ADJUST BRACKET	1
5	360-2101	IDLER ADJUST BRACKET SPACER	1
6	365-0146	TIMING BELT DOUBLE SIDED	1
7	365-0145	TIMING PULLEY 13T .38 PITCH (Serial # K181019 and below)	4
7	365-0253	TIMING PULLEY 13T 5/8 Bore (Serial # K181020 and above)	4
8	376-1874	1/4-20 X 3/16 SET SCREW	4

9	374-0096	#10 -32 X 1.00, SOCKET HEAD SCREW	2
10	365-0150	AUX DRIVE PULLEY (Serial # K181019 and below)	1
10	365-0256	AUX DRIVE PULLEY (Serial # K181020 and above)	
11	365-0149	AUX DRIVE BELT, 1/5 PITCH	1
12	378-6549	1/4"x20 KEP NUT	2
13	374-5528	SCREW 1/4-20x 1 3/4 SOC HD CAP	2
14	395-0764	PULLEY 13T .38 PITCH MOD	2
15	377-6626	FLAT WASHER	2
16	375-0104	SCREW 1 1/8" 10-24 SOC. HD.	2
17	377-2809	WASHER #10 EXT STAR	8
18	334-0444	SIDE PLATE (Serial # K181019 and below)	1
18	334-0446	HD SIDE PLATE (Serial # K181020 and above)	1

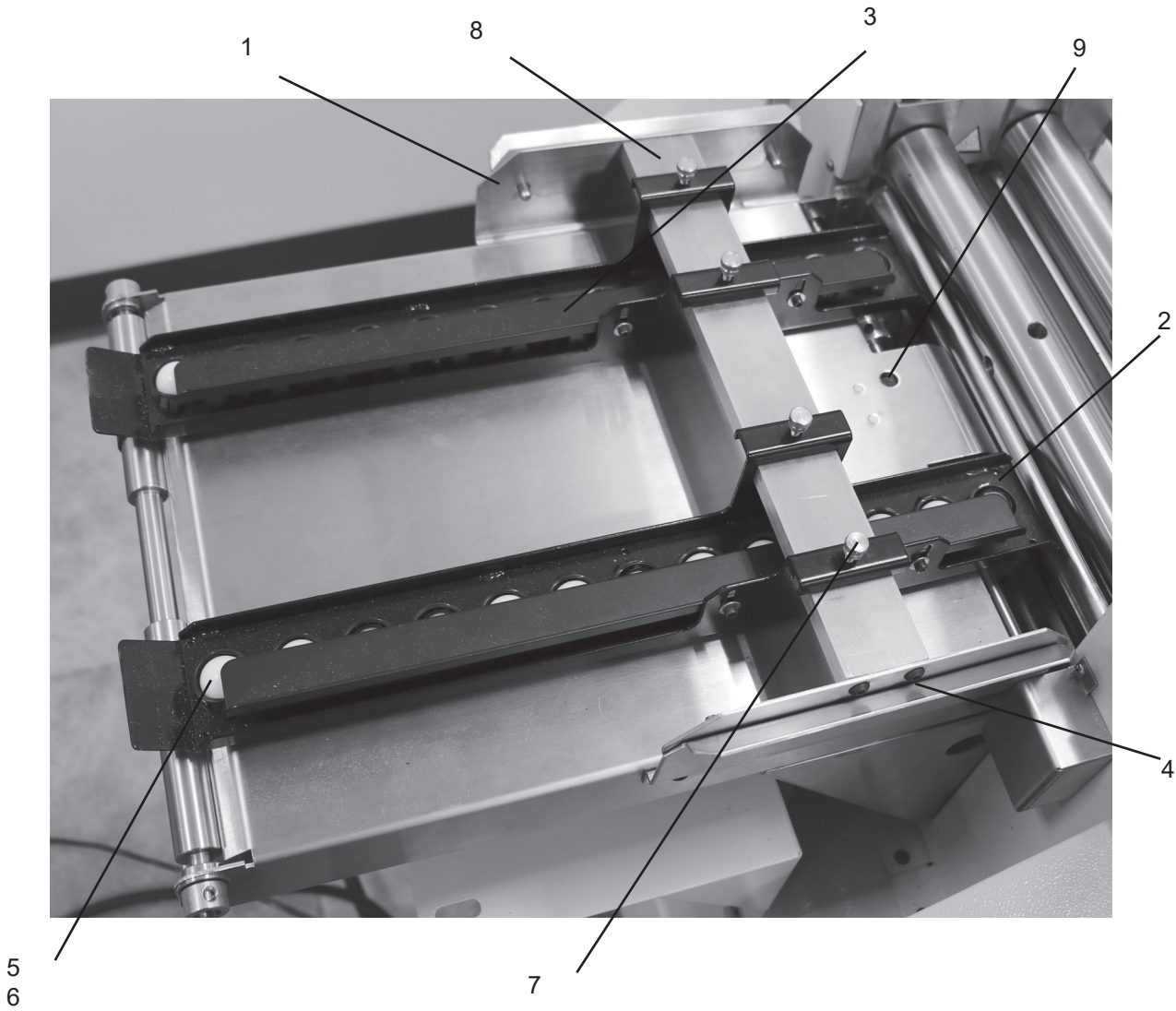
# SEALER NON-OPERATOR SIDE



#	Part #	Description	Qty
1	395-1287	FRICTION DRIVE ROLLER ASSY (Serial # K181019 and below)	1
	395-1394	FRICTION DRIVE ROLLER ASSY (Serial # K181020 and above)	
2	342-0063	COMPRESSION SPRING, 0.48 X .75	4
3	334-0443	SIDE PLATE DRIVE (Serial # K181019 and below)	1
3	334-0445	SIDE PLATE DRIVE (Serial # K181020 and above)	1
4a	375-0030	1/4-20 X 3/4 SCREW	2
4b	377-1813	1/4" WASHER	12
4c	377-2611	WASHER 1/4" SPLIT	4
5	395-1087	CLUTCHED PULLEY ASSY	1
6	365-5412	TIMING BELT 240 L 050	1

7	365-0123	TIMING PULLEY 12T 5/8 Bore (Serial # K181019 and below)	1
7	365-0253	TIMING PULLEY 13T 5/8 Bore (Serial # K181020 and above)	1
8	377-0079	WASHER, FRICTION DRIVE	2
9	334-0390	PRESSURE PLATE	2
10	342-0104	COMPRESSION SPRING .75X2.0	1
11	380-6547	SPACER WASHER FLAT	1
12	378-9548	LOCKNUT 3/8" -24	2
13	374-0096	#10 -32 X 1.00, SOCKET HEAD SCREW	2
14	395-1161	IDLER ADJUST BRACKET	1
15	360-2101	IDLER ADJUST BRACKET SPACER	1
16	395-1098	IDLER PULLEY ASSY	1
17	374-5528	1/4-20 X 1 3/4 SOC HD CAP	1
18	378-6549	1/4-20 KEP NUT	1
19	395-1393	HD BEARING BLOCK (Serial # K181020 and above)	8

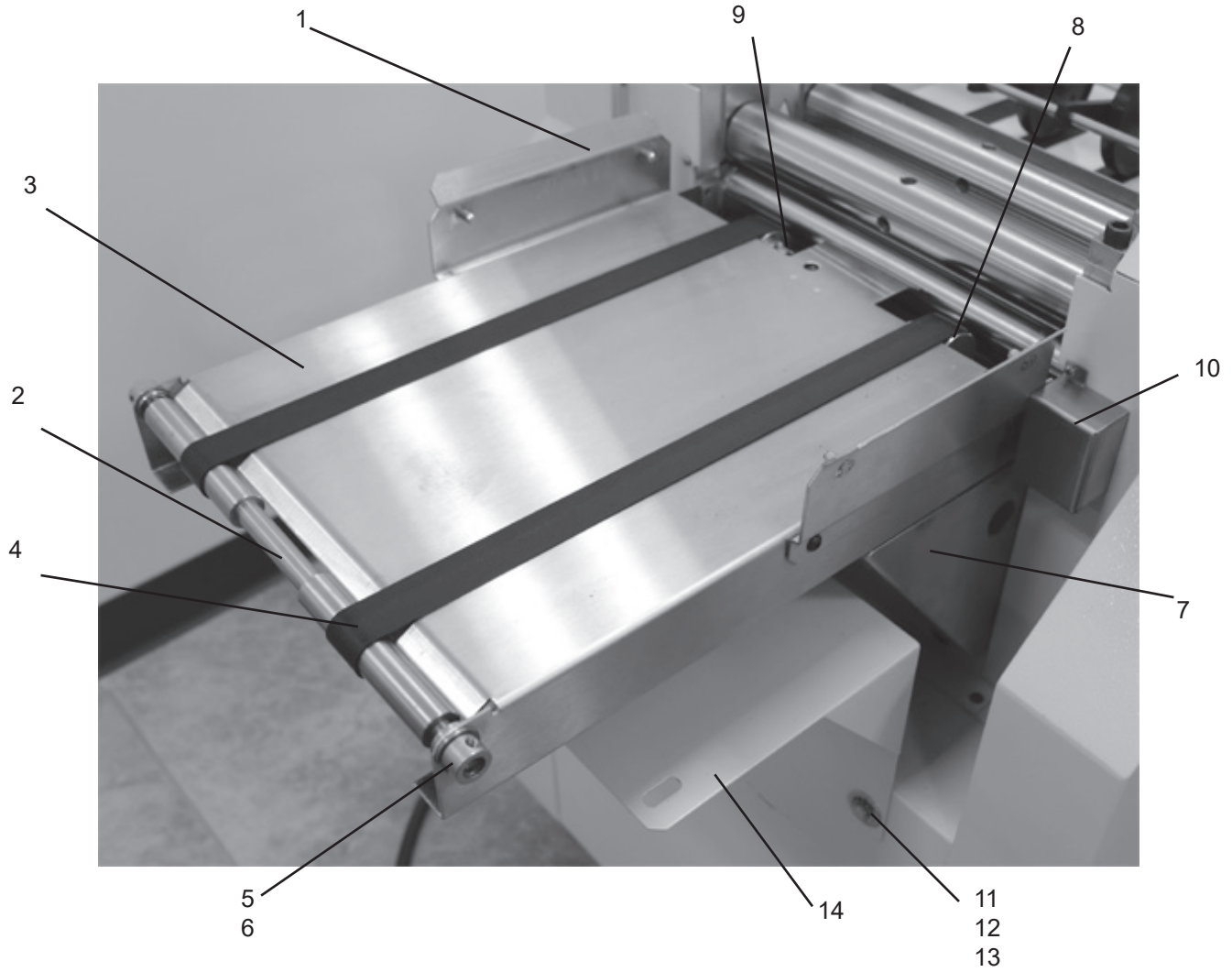
# TRANSPORT SKI



#	Part #	Description	Qty
1	360-2024	BRKT CROSS BAR	1
2	360-3035	SKI	2
3	360-3036	BALL RETAINER	1
4	375-5699	SCREW 10-32 X 1/2 BUTTON HD CA	4
5	370-0032	METAL BALL	6
6	370-0033	PLASTIC BALL	12
7	375-0093	8-32 THUMB SCREW	4
8	332-0155	CROSSBAR	1
9	310-0134	PHOTO-EYE HARNESS	1

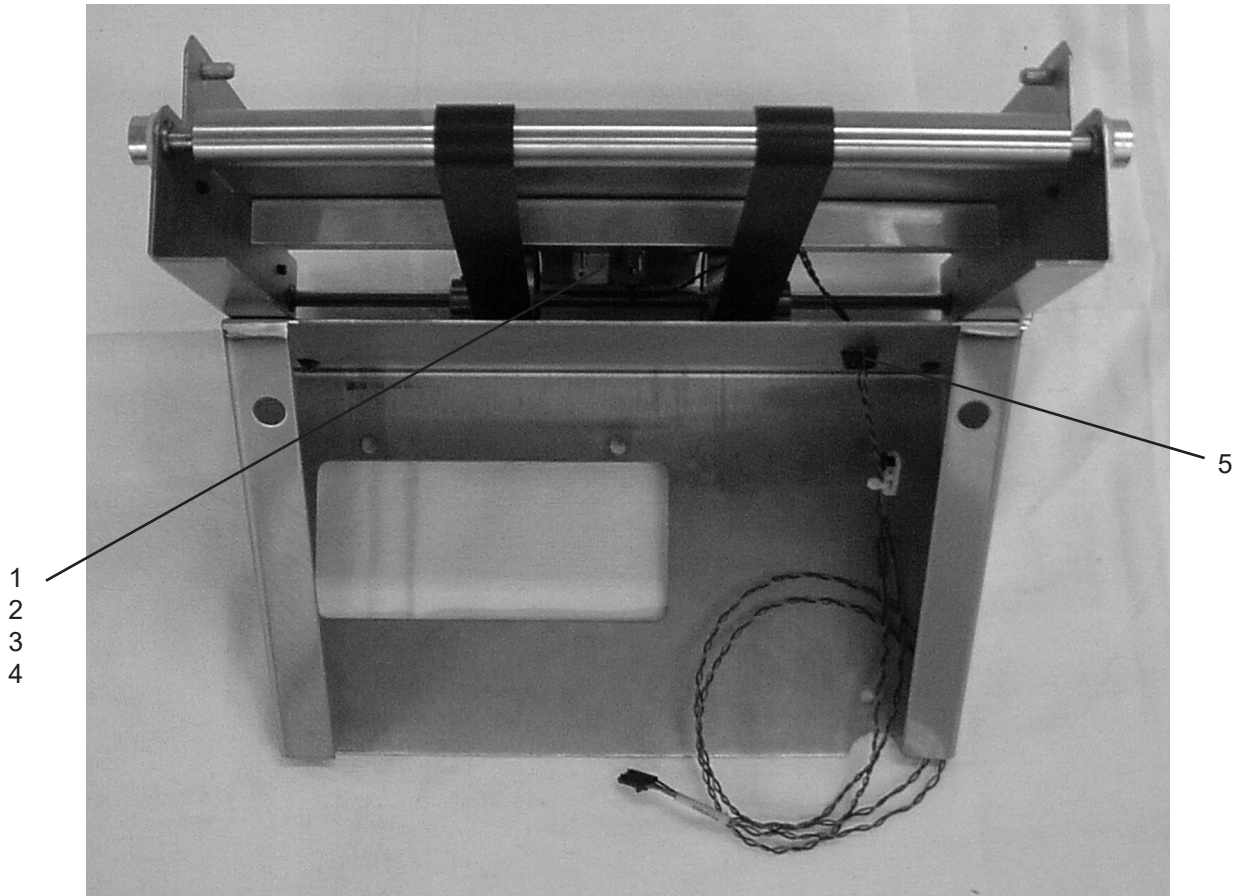


# TRANSPORT DECK



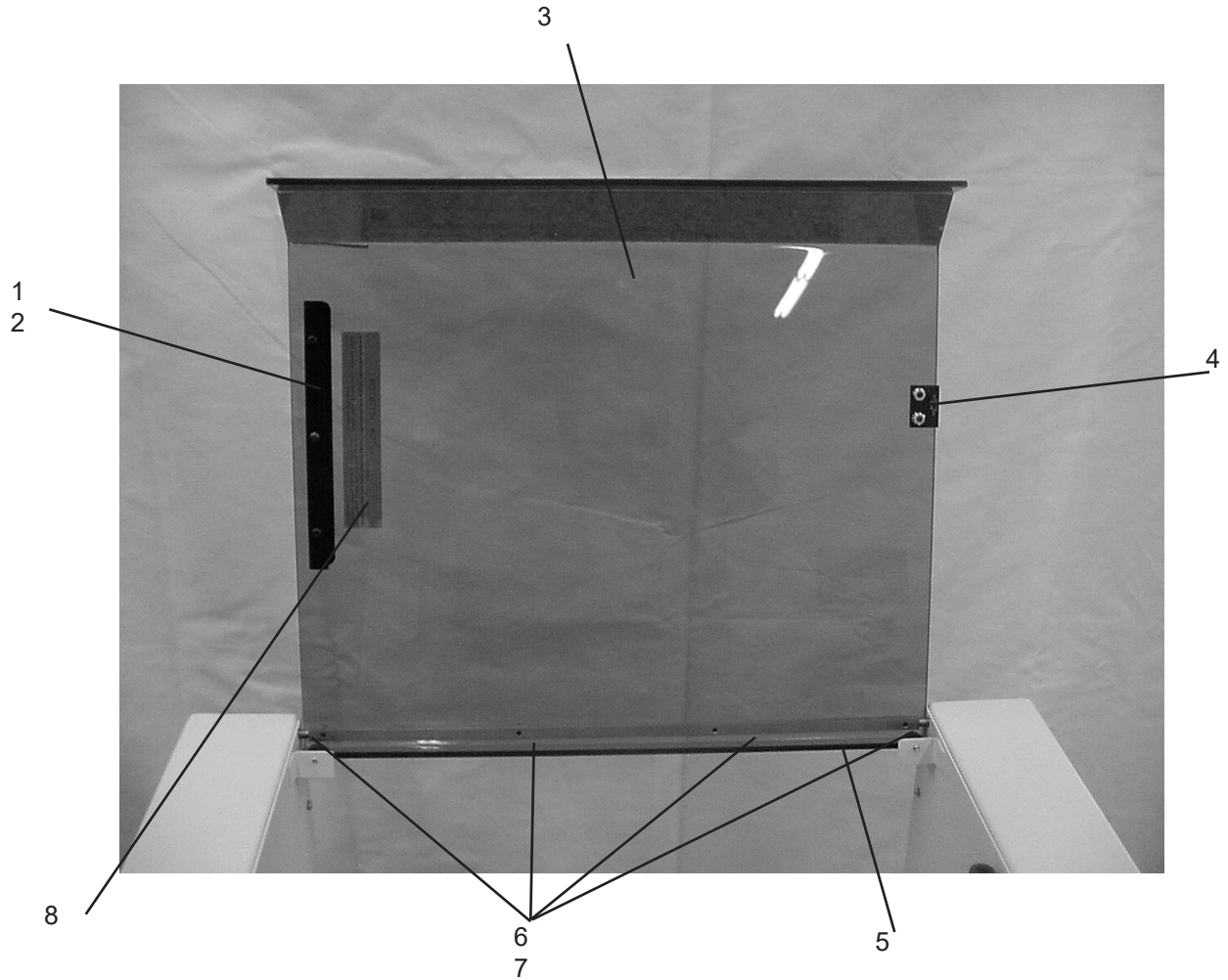
#	Part #	Description	Qty
1	360-2023	SIDE BRKT	1
2	331-0207	SHAFT, FRONT	1
3	360-3034	DECK, TRANSPORT	1
4	369-0048	BELT, TRANSPORT	2
5	381-0004	COLLAR 3/8"	4
6	370-0034	BRG ID .312 X OD .500	4
7	360-2021	BRACE, TRANSPORT	1
8	334-0410	SPOOL, LARGE BORE	2
9	331-0208	SHAFT, REAR	1
10	360-2027	COVER, DRV BELT	1
11	375-0030	BOLT	
12	377-2808	STAR WASHER	
13	377-1808	FLAT WASHER	
14	360-3048	BRACKET, ALIGNMENT	

# TRANSPORT DECK



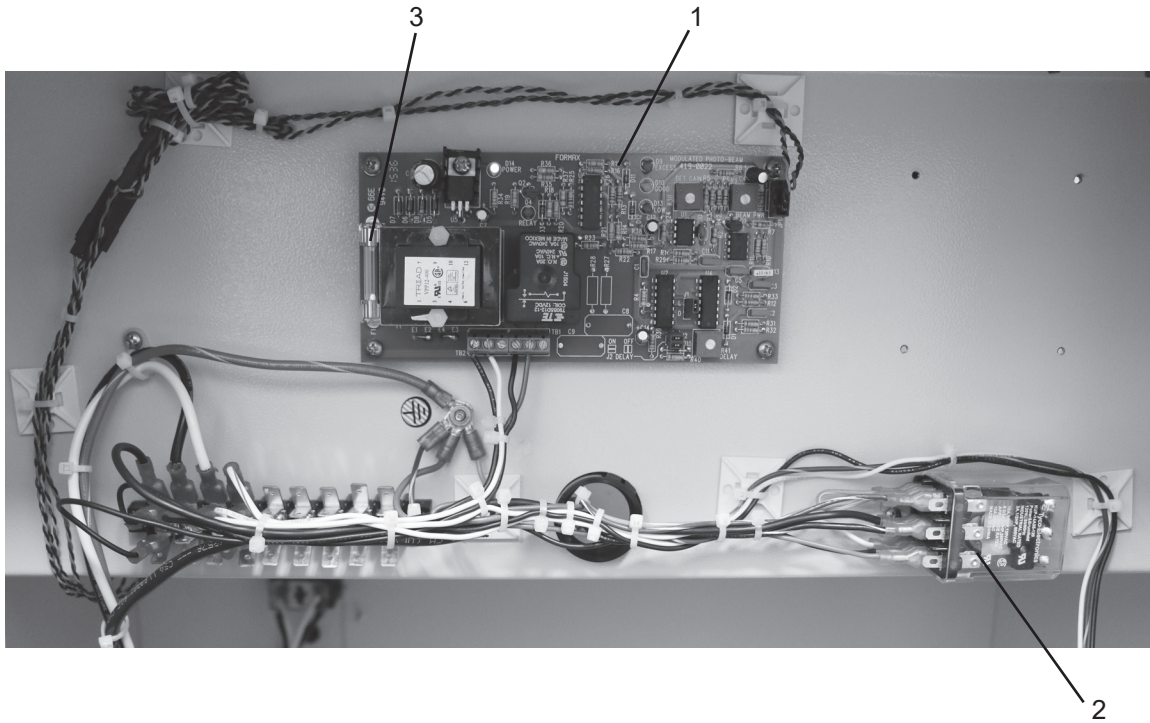
#	Part #	Description	Qty
1	310-0134	PHOTO EYE HARNESS	1
2	373-0010	SCREW PPH 4-40 x 1/2 LG	1
3	360-2034	BRKT, SENSOR	1
4	378-0001	4-40 HEX NUT	1
5	315-0041	SNAP BRUSHING, .562 DIA HOLE	1

# SEALER COVER



#	Part #	Description	Qty
1	360-0485	HANDLE TOP COVER 17"	1
2	375-5825	6-32 x 1/2 BUTTON HD SCREW	6
3	321-0108	TOP COVER	1
4	319-0159	MAGNET, ACTUATOR	1
5	375-5825	6-32 x 1/2 BUTTON HD SCREW	6
6	332-0154	PIVOT ROD	1
7	375-5825	6-32 x 1/2 BUTTON HD SCREW	6
8	325-0152	CAUTION ENG/FRENCH-FD ROLLER	1

# SEALER ELECTRIC



#	Part #	Description	Qty
1	490-0022	BOARD	1
2	319-8847	RELAY - 3PDT	1
3	317-5183	1 AMP FUSE	1
4	395-1160	MOTOR 1/2 HP 125 VAC	1