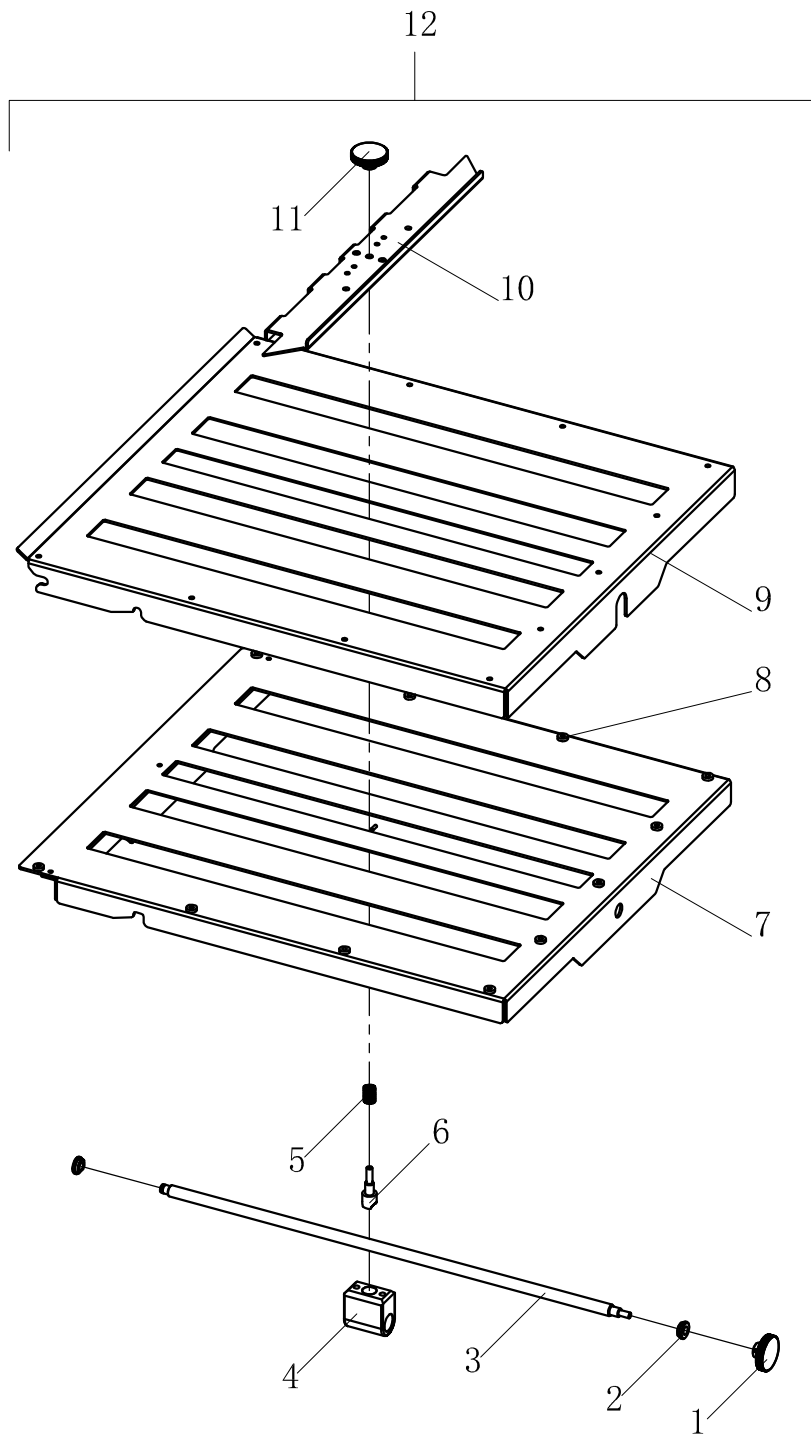


# FORMAX<sup>®</sup>

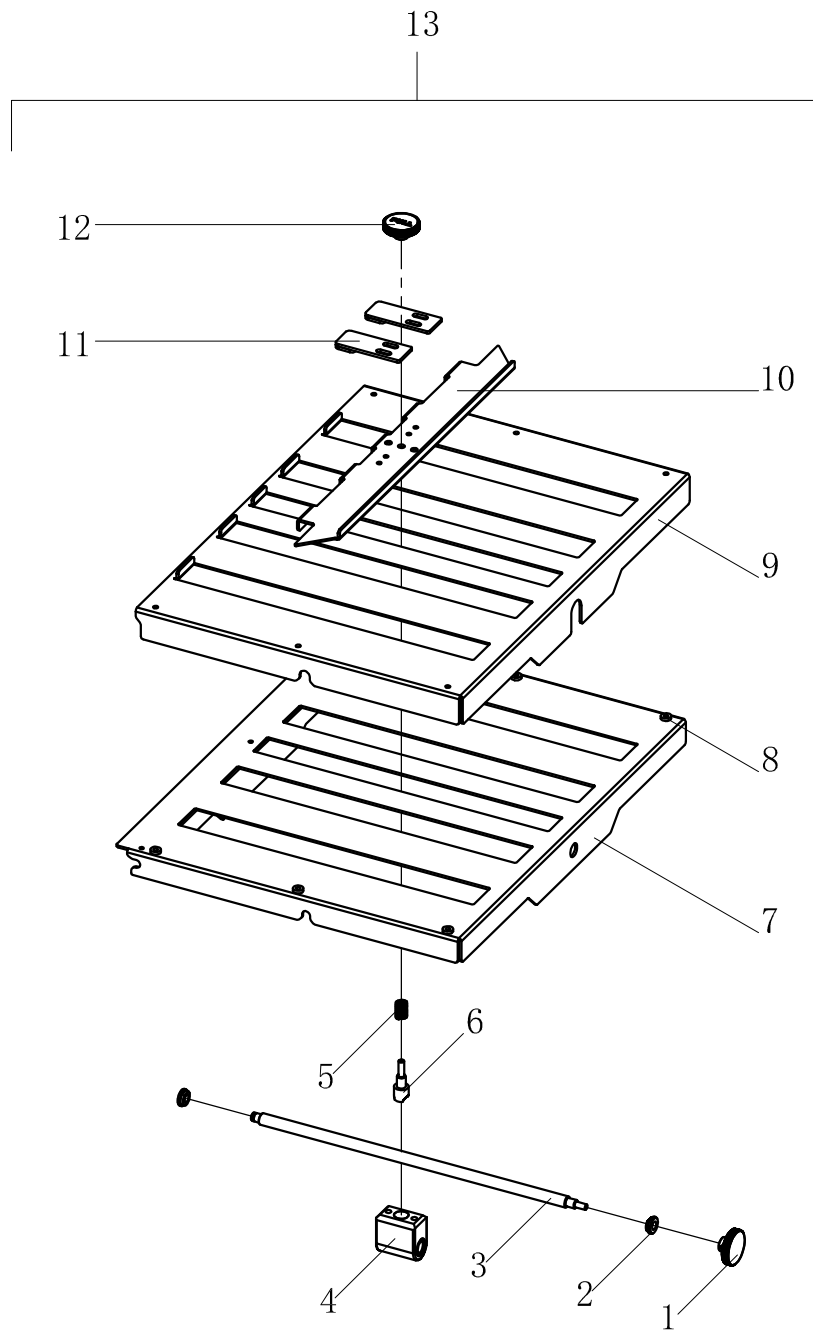
---

FD 324  
Tabletop Paper Folder

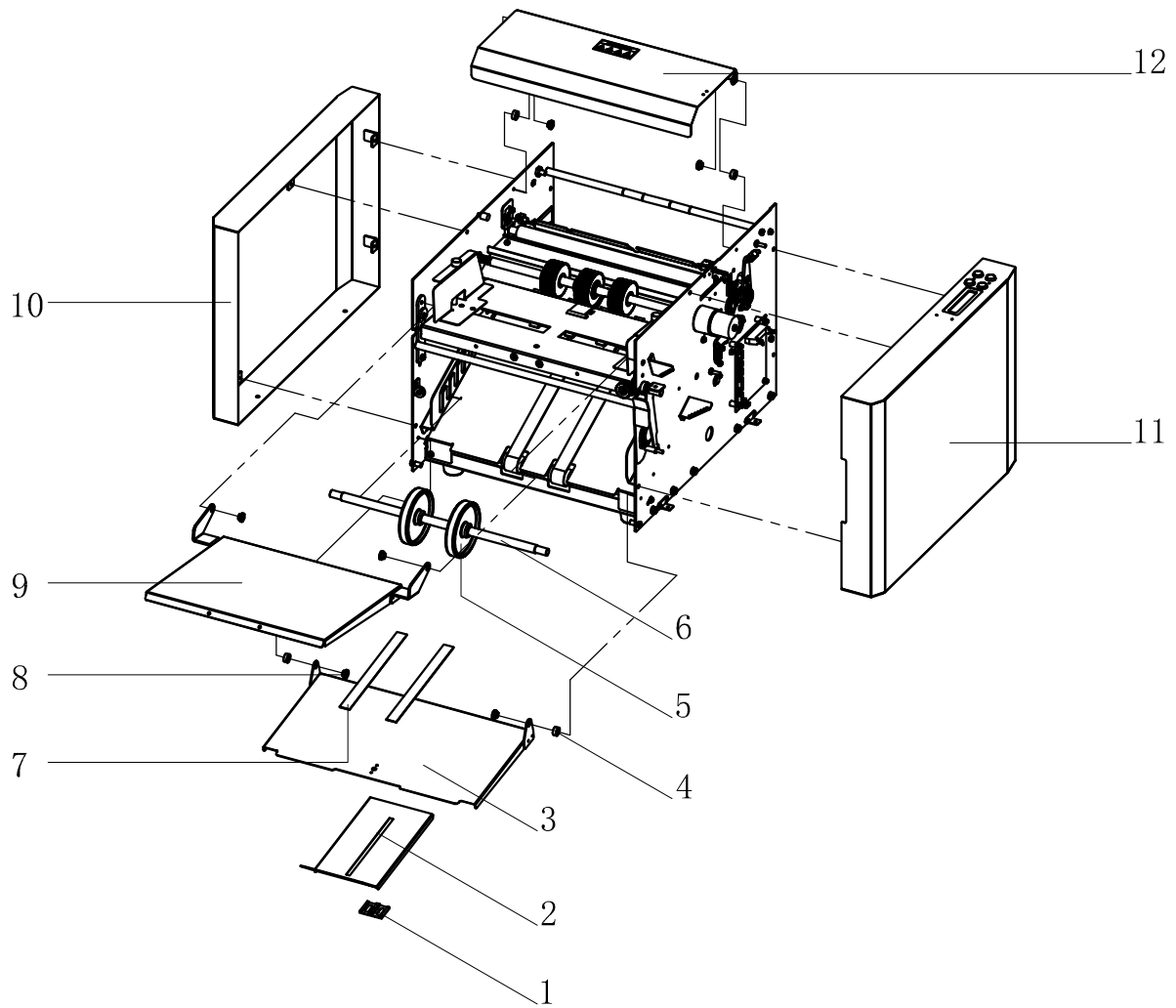
PARTS MANUAL  
FIRST EDITION



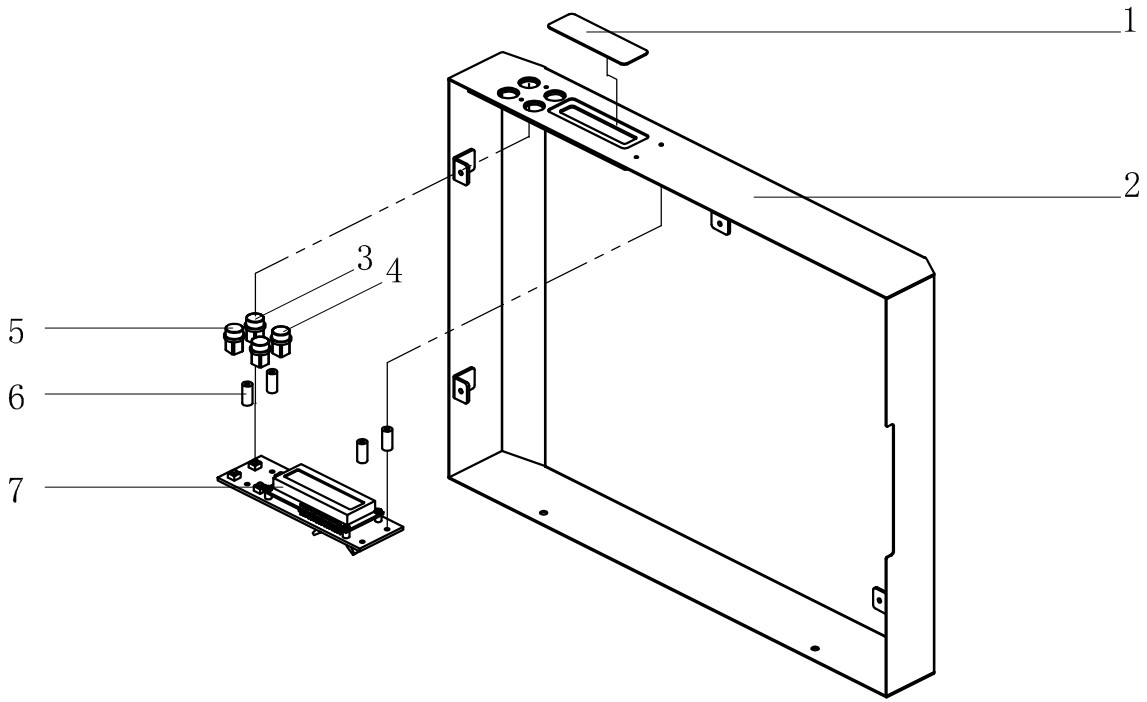
INDEX	PARTS NO.	DESCRIPTION	QTY
1	03-50070g1	Micro adjust knob	1
2	03-80050	Bushing	2
3	03-20190	First screw shaft	1
4	03-70030	Slider assembly	1
5	03-D0050	Spring	1
6	03-G0011	Nut support	1
7	03-60073	Welding plate	1
8	3.2-7.2-2	Plastic pad	11
9	03-10353	Fold plate upper cover	1
10	03-10367	Paper block	1
11	03-50070g2	Pull adjustment knob	1
12	03-00016	Upper fold plate assembly	1



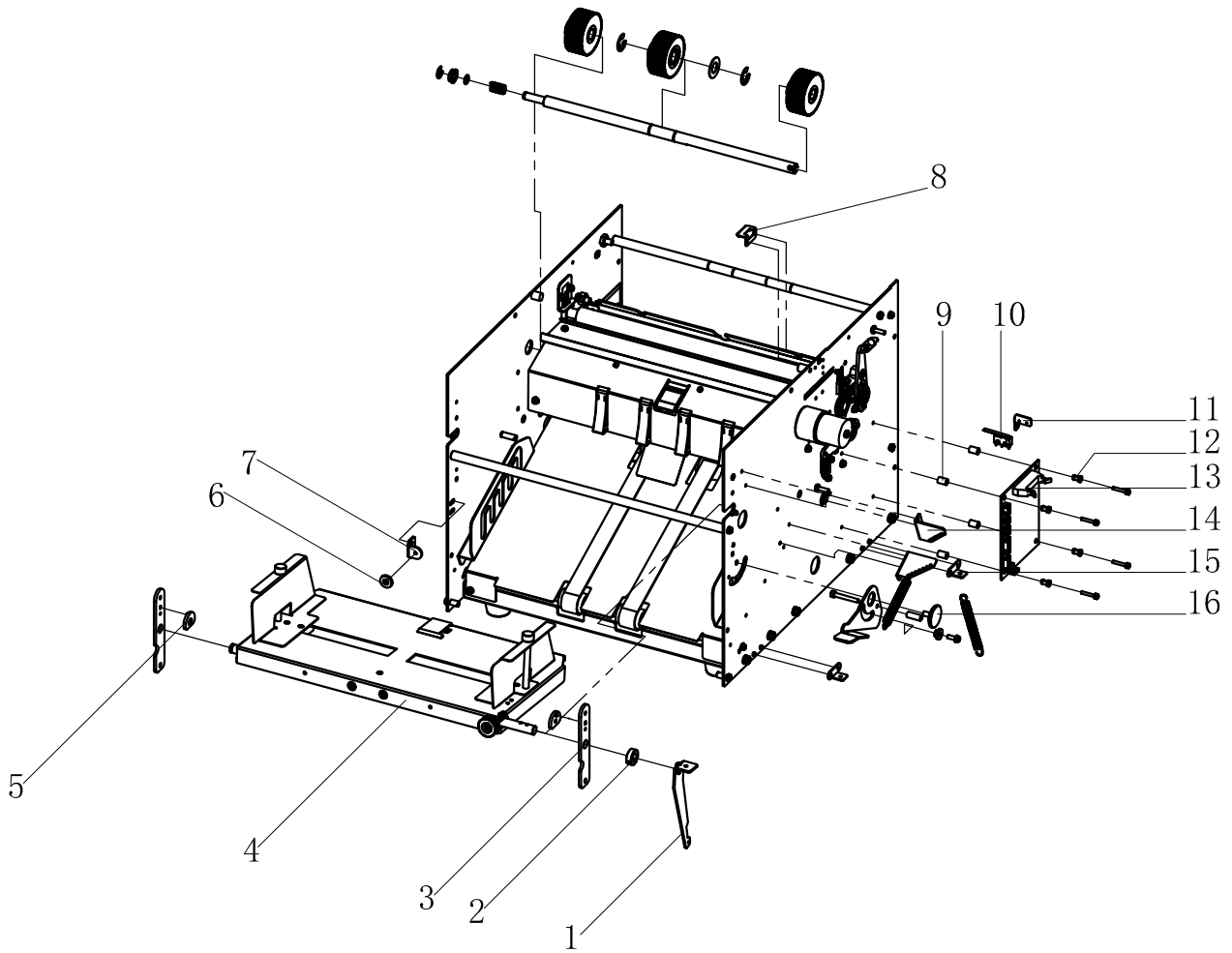
INDEX	PARTS NO.	DESCRIPTION	QTY
1	03-50070g1	Micro adjust knob	1
2	03-80050	Bushing	2
3	03-20230	Second screw shaft	1
4	03-70030	Slider assembly	1
5	03-D0050	Spring	1
6	03-G0011	Nut support	1
7	03-60084	Welding plate	1
8	3. 2-7. 2-2	Plastic gasket	6
9	03-10396	Fold plate upper cover	1
10	03-10367	Paper block	1
11	03-60150	Half fold support plate	2
12	03-50070g2	Pull adjustment knob	1
13	03-00026	Lower fold plate assembly	1



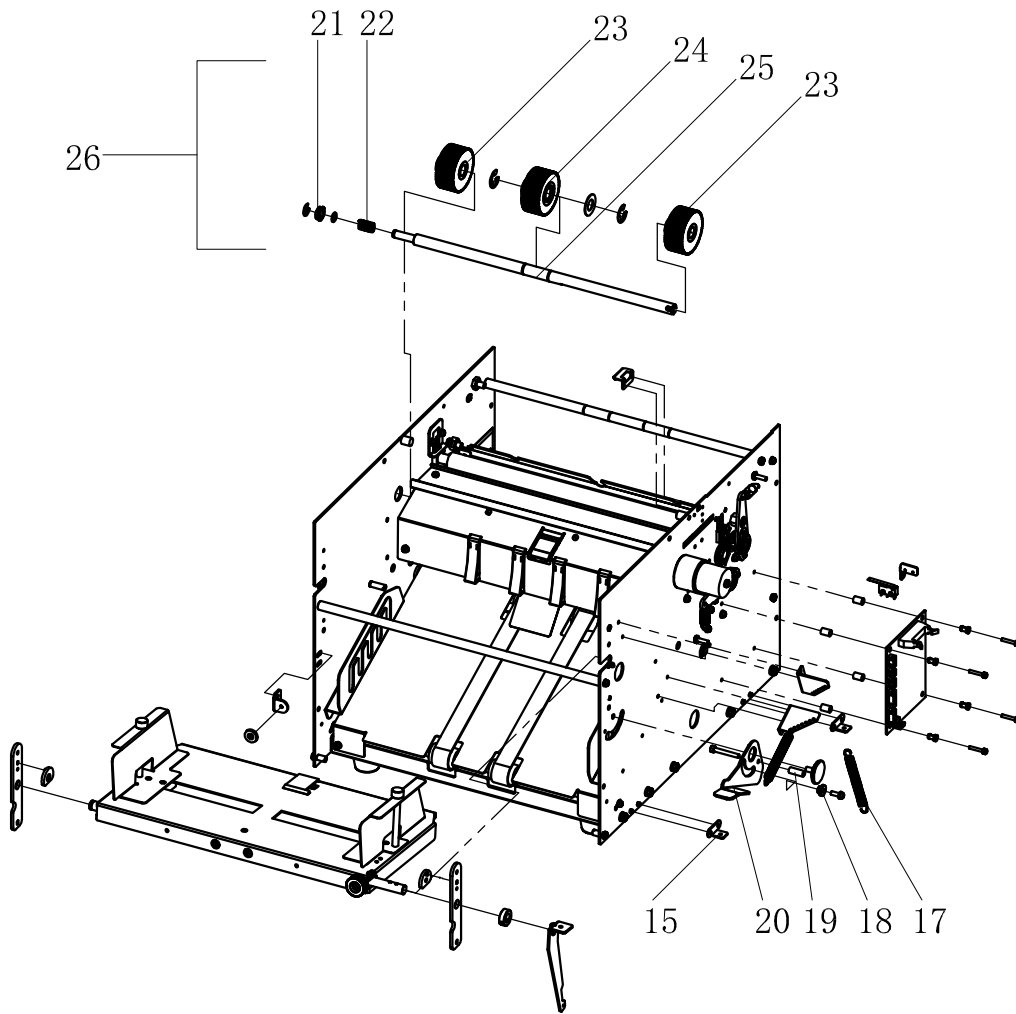
INDEX	PARTS NO.	DESCRIPTION	QTY
1	03-30080	Guide plate	1
2	03-10620	Outfeed tray extension	1
3	03-60041	Outfeed tray	1
4	03-80080	Gasket	4
5	03-30050	Press roller	2
6	03-20490	Press roller shaft	1
7	03-A0080	Paper guide	2
8	03-80070	Bushing	6
9	03-60031	Infeed tray extension	1
10	03-60103	Back cover assembly	1
11	03-00061	Front cover assembly	1
12	03-14170	Top cover	1



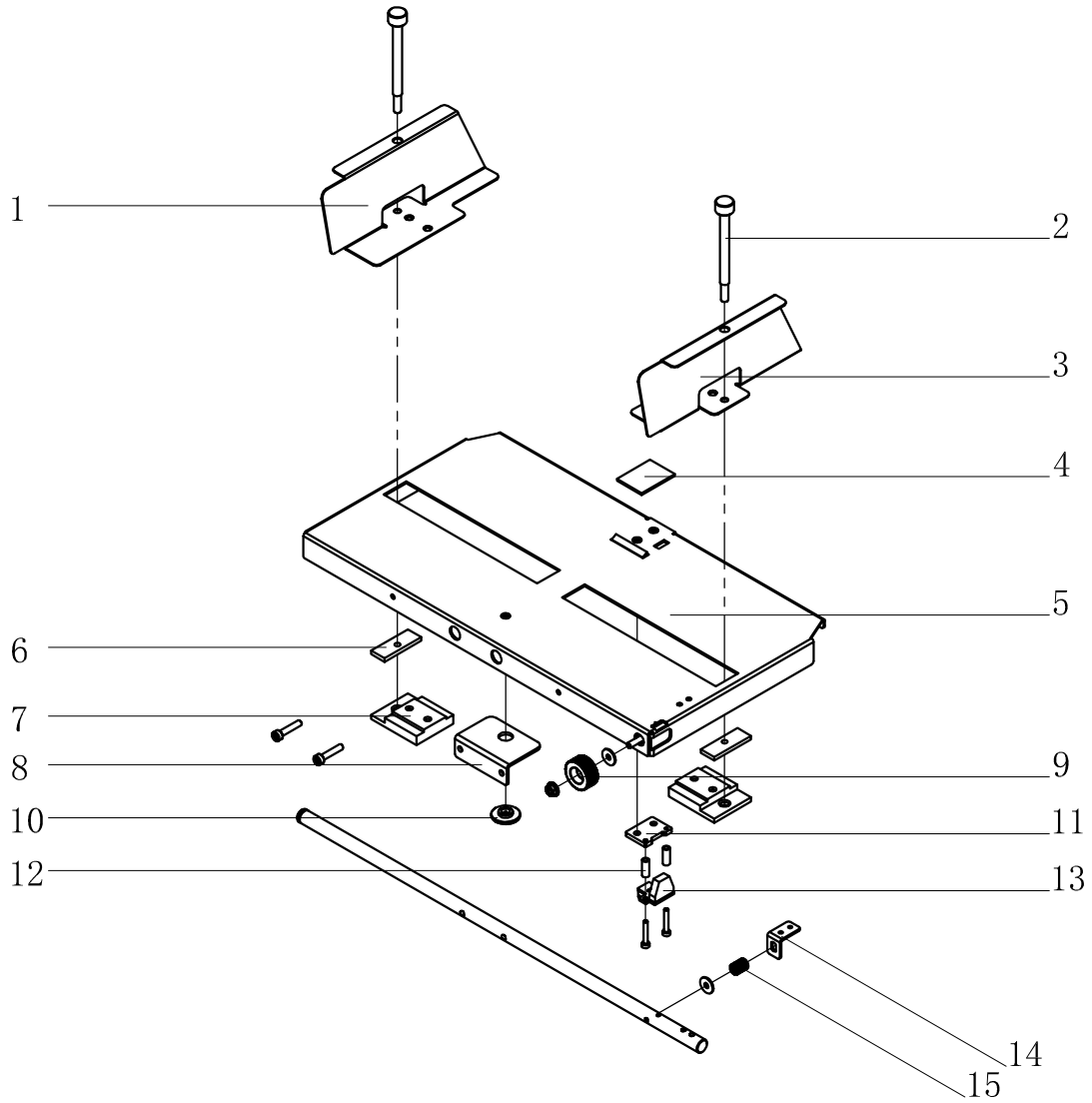
INDEX	PARTS NO.	DESCRIPTION	QTY
1	03-A0101	Control panel clear cover	1
2	03-60091	Operator side cover	1
3	03-30110	Red button	1
4	03-30100	Green button	1
5	03-30120	Grey button	2
6	3-7-15	Spacer pillar	4
7	03-B0100	Control panel PCB unit	1



INDEX	PARTS NO.	DESCRIPTION	QTY
1	03-10A11	Spring support rod	1
2	03-20290	Bushing	1
3	03-10490	Support plate	2
4	03-00035	Feed plate assembly	1
5	03-30070	Limit block	2
6	01-A0051	Magnet	1
7	03-10A30	Magnet support	1
8	01-10480	Inching switch protect cover	1
9	4-7-11	Spacer pillar	4
10	11-B0020	Inching switch	1
11	01-10470	Switch support	1
12	4-7-2	Spacer pillar	4
13	03-B0121	Control PC Board	1
14	03-10A01	Spring support rod	2
15	03-10530	Support rod	2
16	03-20480	Shaft nail	1

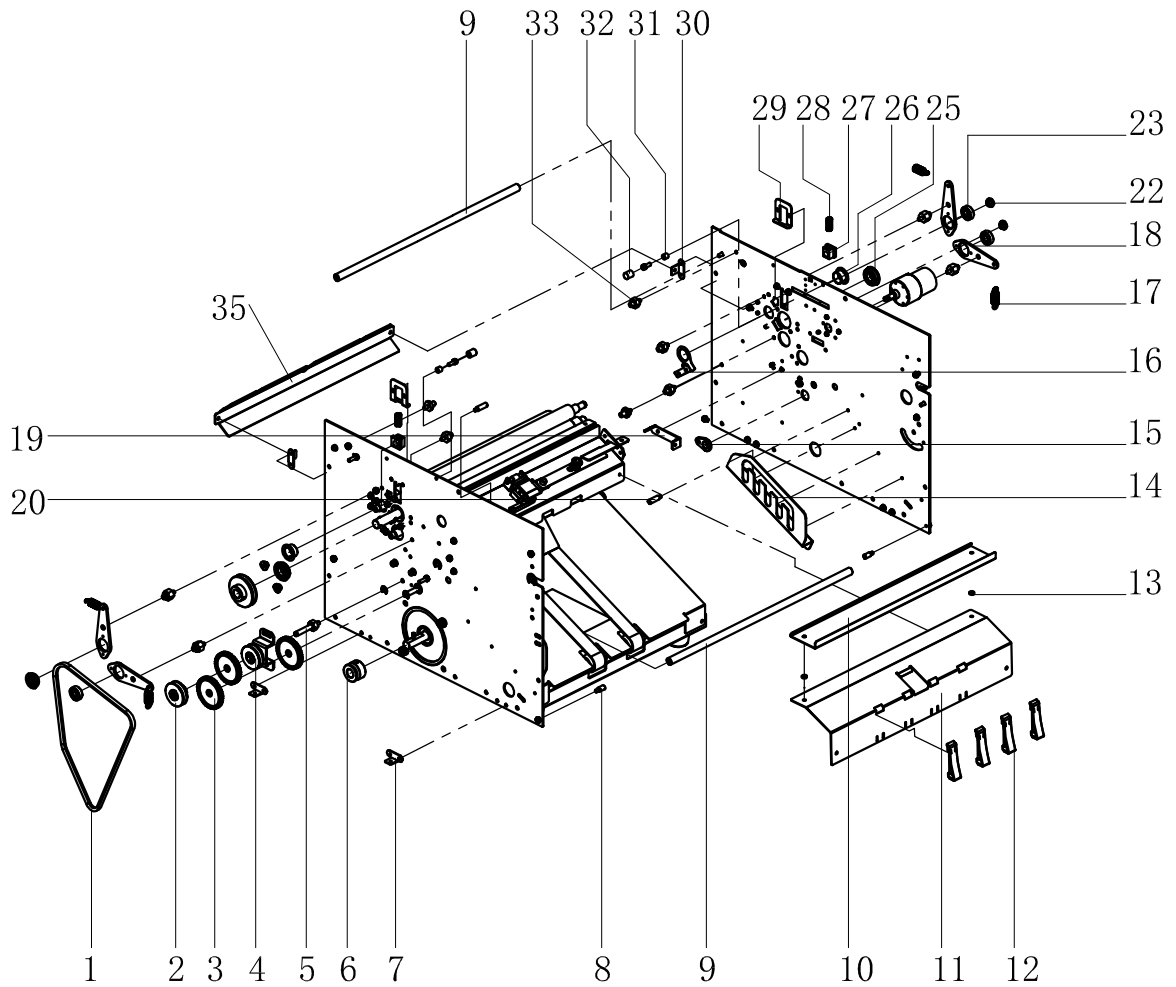


INDEX	PARTS NO.	DESCRIPTION	QTY
17	03-D0090	Spring	2
18	03-80070	Bushing	1
19	4-7-17	Spacer pillar	1
20	03-10A20	Lever	1
21	MF168	Bearing	1
22	03-D0030	Spring	1
23	03-50060	Auxiliary feed roller	1
24	03-50050	Main feed roller	1
25	03-20051	Feed roller shaft	1
26	03-00080	Feed roller assembly	1

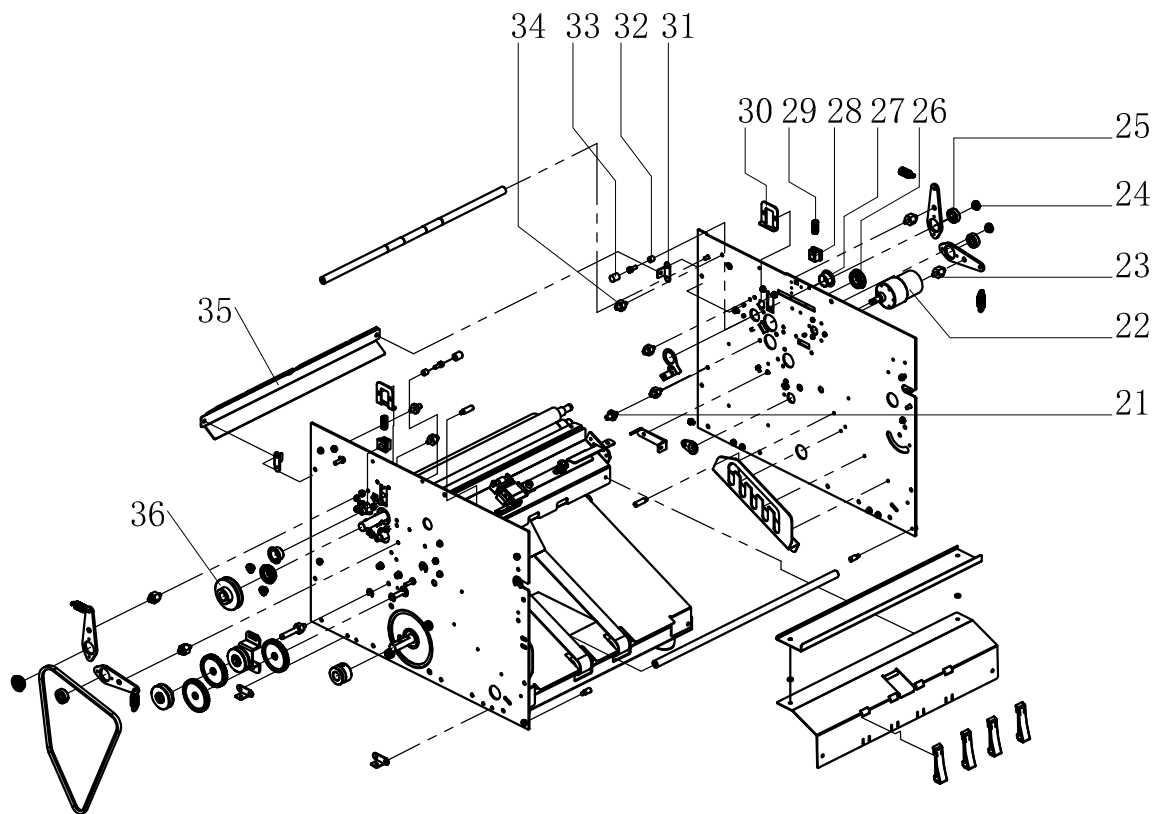


INDEX	PARTS NO.	DESCRIPTION	QTY
1	03-10443	Paper guide left	1
2	03-20461	Paper guide fix screw	2
3	03-10423	Paper guide right	1
4	03-A0120	Friction pad	1
5	03-10456	Paper feed table	1
6	03-20490	Fix plate	2
7	03-20470	Paper guide fix plate	2
8	03-10481	Shaft support plate	1
9	03-20030	Adjust knob	1
10	03-20250	Washer	1
11	03-10513	Photoelectric support plate	1
12	3-5-13	Spacer pillar	2
13	03-B0050	Paper feed in sensor	1
14	03-10502	Position plate	1
15	03-D0060	Spring	1

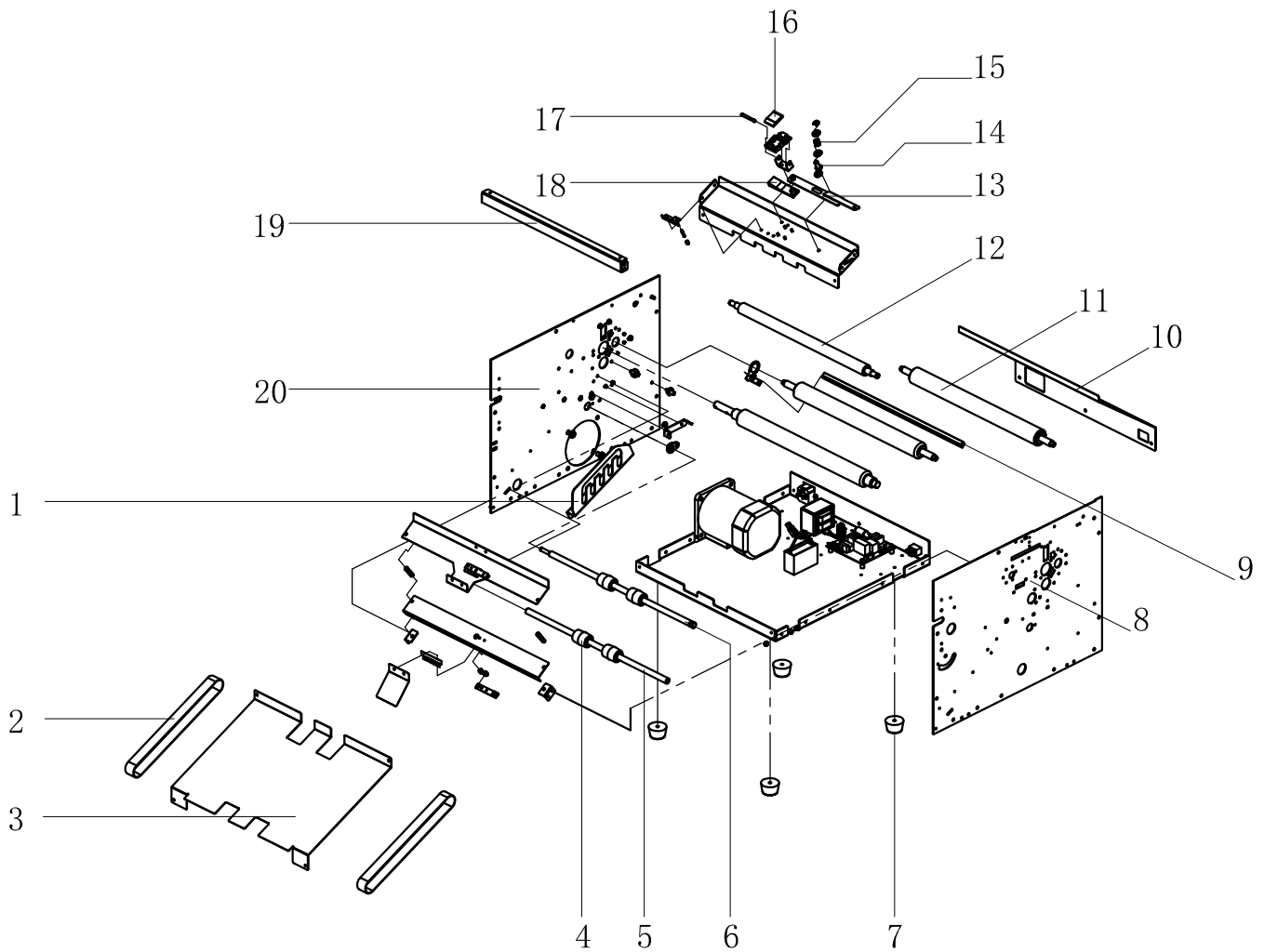




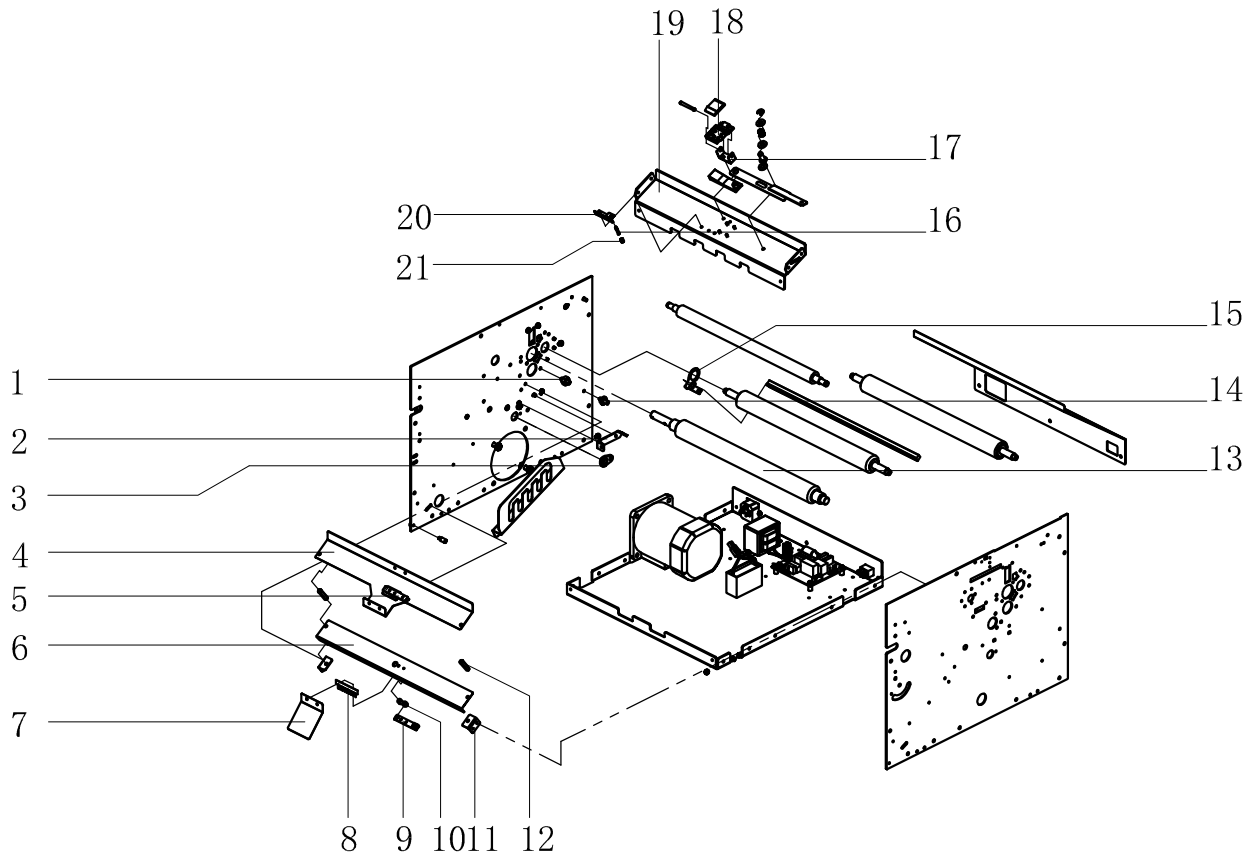
INDEX	PARTS NO.	DESCRIPTION	QTY
1	03-A0040	V belt VC6*587	1
2	02-00020	Paper fold pulley assembly	1
3	03-30060	Paper delivery gear	3
4	03-00090	Tensioner assembly	1
5	03-20130	Support pillar	1
6	03-20170	Motor pulley	1
7	03-10530	Support rod	2
8	03-20350	Shaft nail	6
9	03-20320	Support shaft	2
10	03-10214	Paper feed upper guide	1
11	03-10204	Paper feed lower guide	1
12	03-30030	Plastic paper guide	4
13	4-7-2	Spacer pillar	2
14	03-10A90	Guide shaft right groove	1
15	03-80020	Bushing	1
16	03-10A40	Right shaft support plate	1
17	03-D0040	Spring	4
18	03-10060	Fold roller support	4
19	03-10770	Right support plate	1
20	03-20310	Right support plate	1



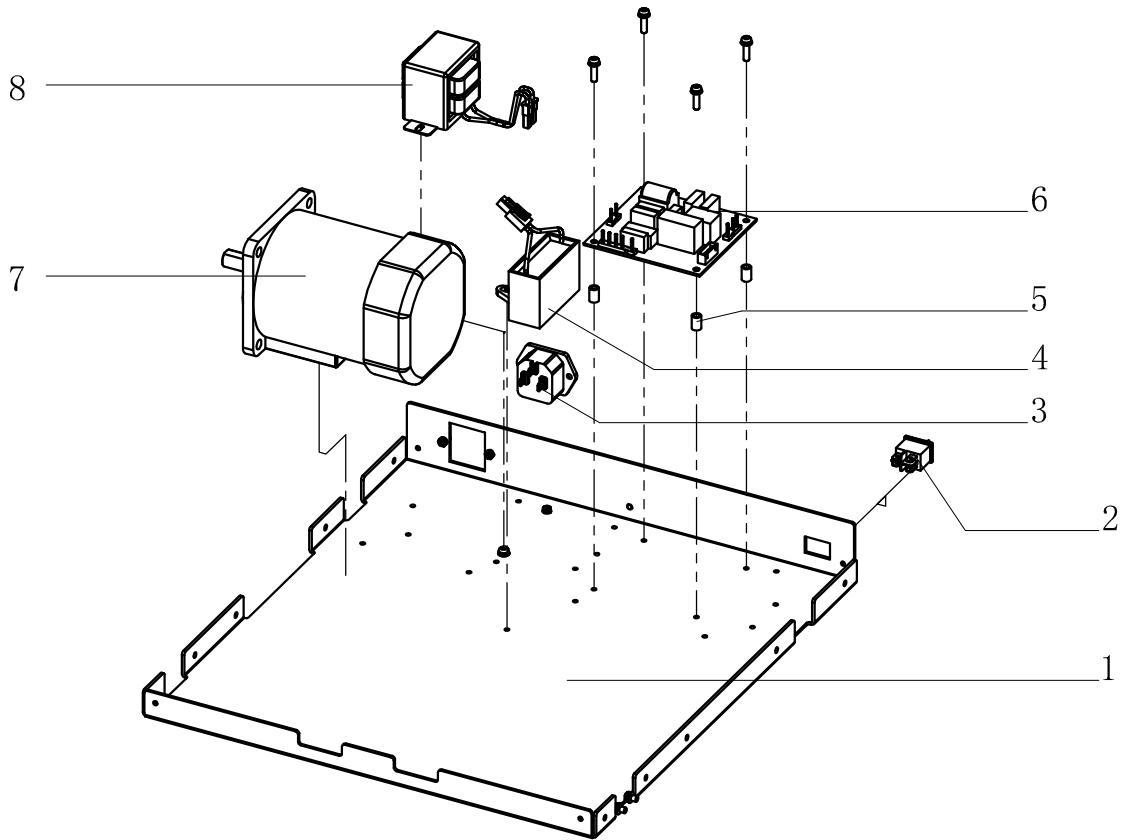
INDEX	PARTS NO.	DESCRIPTION	QTY
21	03-20220	Support pillar	2
22	03-B0041	Feeding motor	1
23	03-20011	Support pillar	4
24	03-80070	Bushing	4
25	F698	Flange bearing F698	4
26	F6901	Flange bearing F6901	2
27	SF-1F1510	bushing	2
28	03-80010	Slider support plate	2
29	03-D0010	Spring	2
30	03-10560	Limit plate	2
31	03-10530	Support rod	2
32	4-7-6	Spacer pillar	2
33	03-40020	Rubber sleeve	2
34	03-20160	Support pillar	6
35	03-10540	Protect plate	1
36	03-20180	Belt driven gear	1



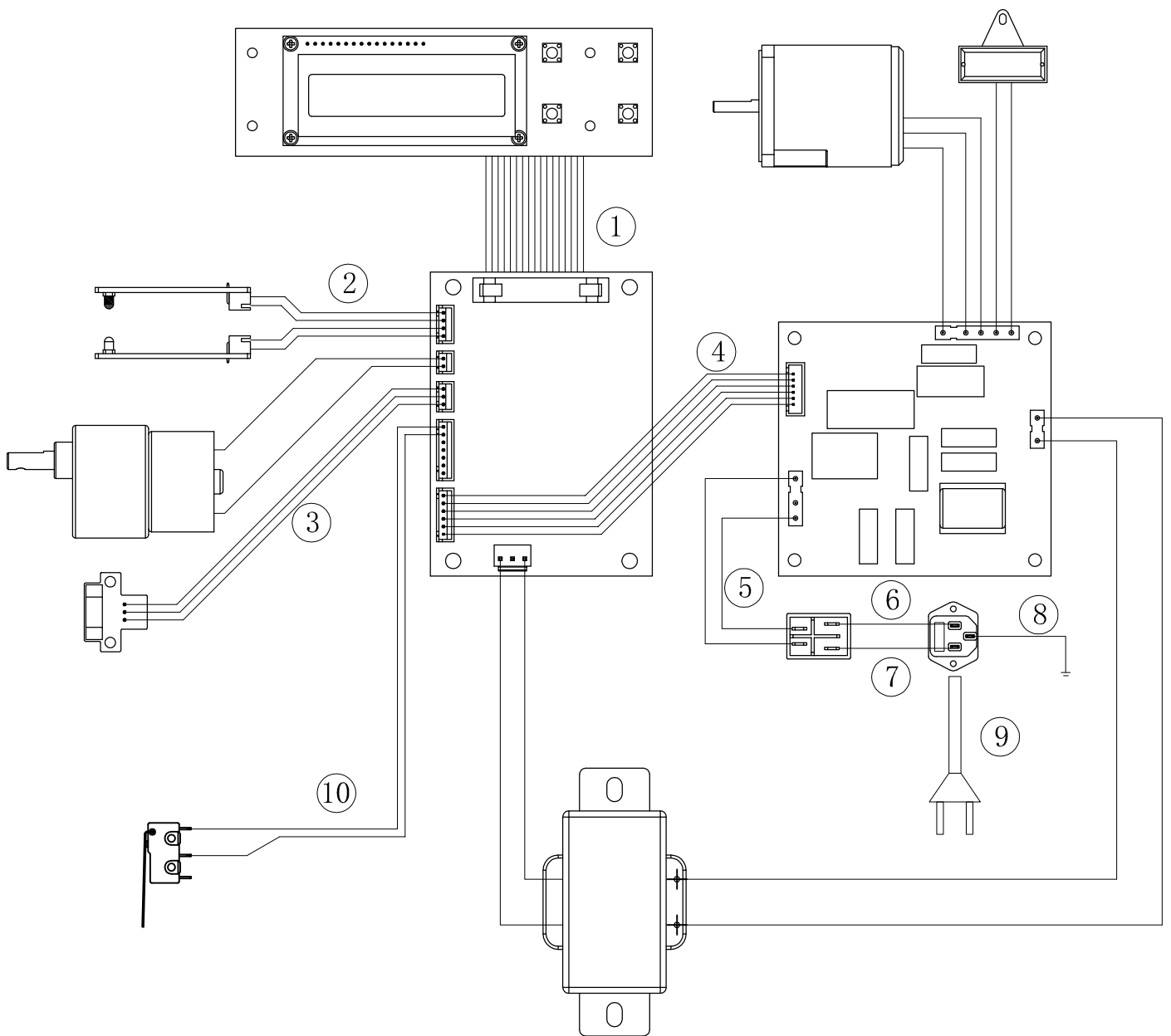
INDEX	PARTS NO.	DESCRIPTION	QTY
1	03-10A80	Left guide paper groove	1
2	03-A0030	Belt 495x20	2
3	03-10220	Outfeed guide plate	1
4	03-30040	Belt driven roller	4
5	03-20080	Outfeed auxiliary shaft	1
6	03-20070	Outfeed main shaft	1
7	03-40010	Base support	4
8	03-10014	Right support plate	1
9	03-20480	Shaft	1
10	03-10552	Fold roller protect plate	1
11	03-50030	Second fold roller	2
12	03-50040	Paper delivery fold roller	1
13	03-10682	Rod	1
14	03-20360	Shaft nail	1
15	03-D0070	Spring	1
16	03-30020g	Paper separation plate	1
17	03-20030	Shaft	1
18	03-30090	Plate	1
19	03-10193	Support rod	1
20	03-10024	Left support plate	1



INDEX	PARTS NO.	DESCRIPTION	QTY
1	03-20160	Support pillar	6
2	03-10760	Left support rod	1
3	03-80020	Bushing	2
4	03-60120	Outfeed guide welding up plate	1
5	03-B0030	PCB receiver	1
6	03-60110	Outfeed guide welding down plate	1
7	03-10141	Guide plate	1
8	03-A0010	Static electric brush	1
9	03-B0020	PCB Emitter	1
10	3*7*6	Spacer pillar	4
11	03-10090	Support plate	2
12	4*7*25	Spacer pillar	2
13	03-50010	Main fold roller	1
14	03-20220	Support pillar	2
15	03-10A50	Left shaft suppoer	1
16	03-20041	Top shaft	1
17	03-10161	Paper separator support	1
18	03-30010	Paper separator plate	1
19	03-10152	Paper separator support	1
20	03-10170	Guide plate	1
21	03-D0020	Spring	1



INDEX	PARTS NO.	DESCRIPTION	QTY
1	03-10752	Base plate	1
2	03-B0170	Power switch	1
3	03-B0180	Inlet	1
4	20µF	Electric capacity	1
5	4-7-11	Spacer pillar	4
6	03-B0130	Power PC Board	1
7	03-B0010	Motor 60W	2
8	03-B0142	Transformer	1



INDEX	PARTS NO.	DESCRIPTION	QTY
1	01-N0010	20P Wire	1
2	01-N0020	Paper out sensor wire	1
3	01-N0030	Paper feed in sensor wire	1
4	01-N0040	6P data wire	1
5	01-N0050	Power connection wire	1
6	01-N0060	Live wire	1
7	01-N0070	Zero wire	1
8	01-N0080	Ground wire	1
9	01-N0090	Power cord	1
10	01-N0100	Top cover open sensor wire	1