

# FORMAX<sup>®</sup>

---

---

## Shredders

FD 8502CC Cross-Cut

FD 8502SC Strip-Cut

# TABLE OF CONTENTS

TOPIC	PAGE
Specifications	1
Set-up Guidelines	1
Control Panel	1
Operation	2
Safety Devices & Other Features	2
Safety Precautions	3
Daily Maintenance	3
Auto Cleaning	3
Sensor Sensitivity Recovery	4
Removing Motor & Cutting Head Unit	4
Replacing Door Hinges	5
Replacing Casters	5
Repairing Motor Condenser & Contactor	5
Troubleshooting	6-7
Parts Lists	8-11
Electrical Parts	12-13

# Specifications

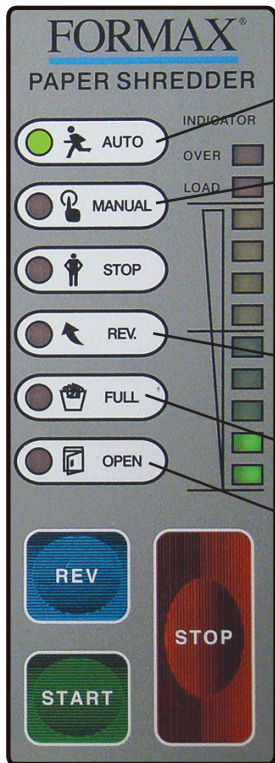
	FD 8502CC	FD 8502SC
Cutting Style:	Cross Cut	Strip Cut
Shred Size:	5/32" x 1-1/5"	5/32"
Sheet Capacity:	23 to 25	20 to 22
Speed:	35 feet per minute	33 feet per minute
Feed Opening:	16"	16"
Dimensions:	24" W x 20" D x 35" H	24" W x 20" D x 35" H
Bin Capacity:	26 gal.	26 gal.
Weight:	242 lbs.	242 lbs.
Power supply:	110-120V, 50/60Hz	110-120V, 50/60Hz
Cutting heads accept credit cards, staples and paper clips.		



## Set-up Guidelines

1. Install the shredder on a level surface, away from heat sources and direct sunlight.
2. Insert plug into wall outlet with the appropriate voltage, 110V. If the outlet is shared with another electronic device, the total current should not exceed 30A (at 110V).

## Control Panel Functions



**AUTO:** The shredder will operate in Auto mode after pressing the Start A/M button.

**MANUAL:** By pressing the Start A/M button a second time, the shredder can be operated in Manual mode. The shredder will begin running, and will stop automatically after 3 minutes.

**STOP:** Pressing this button stops operation.

**REV:** The shredder will automatically reverse cutter direction if too many sheets of paper are inserted at one time.

**FULL:** The shredder automatically stops when the waste bin is full.

**OPEN:** The shredder will stop automatically if the cabinet door is open. Simply close the door and press Start A/M to resume operation.

**LOAD INDICATOR:** This multi-colored indicator shows the load during shredding.

**Control Panel**

# **Operation**

1. Open the door and turn the power switch “ON” (see page 13). Close door.

## **2. Auto Start/Auto Stop**

Press the “START A/M” button. The signal lamp “AUTO” will light. Insert paper to shred. The shredder will start and stop automatically when using this function.

## **3. Manual Operation**

If paper is too small for the shredder’s sensors to detect, shred it manually. Push the “START A/M” button once more and the “MANUAL” lamp will light. Insert paper to be shredded. Three minutes after shredding, the cutter automatically stops rotating.

## **4. Reverse Operation**

Push the “REV” button. The signal lamp “REV” will light and cutters will operate in reverse. If too much paper is inserted at one time in standard modes, the shredder will automatically operate in reverse. If this occurs, remove the inserted paper and shred in smaller amounts. NOTE: The maximum amount of paper to be shredded differs according to paper quality, humidity and voltage. If the shredder is to be used continuously, do not insert more than half of the maximum capacity.

## **5. Full Sensor**

If the wastebasket is full, the “FULL” lamp will light and the cutter will stop automatically. Open the door, empty the waste bin of paper shreds, replace the waste bin, close door, press “START” and continue to shred.

# **Safety Devices & Other Features**

## **Automatic Reverse Rotation**

When too much paper is inserted, the cutter stops operating and automatically rotates in reverse to discharge the jammed paper. An alarm sounds. Reduce the amount of paper and restart the operation.

## **Door Switch**

If the door is open, the shredder will not operate.

## **Automatic Stop**

When the shredded paper fills the wastebasket, the “FULL” light comes on and the cutter stops operation. Open the door, remove the wastebasket and empty paper scraps. Replace the wastebasket, close the door and continue operation.

## **Automatic Power Shut-Off**

- If the shredder operates continuously for more than 30 minutes, the power is automatically shut off.
- If the motor is overloaded, the “STOP” LED will flash until it cools down. When the flashing stops the shredder is ready to be used again.

## **Oil Indicator**

The “MANUAL” LED will flash after every four (4) hours of operation as an indicator to oil the shredder cutting blades. The LED will continue to flash until oiled. NOTE: the shredder will still operate when the LED is flashing but at a decreased load capacity.

**To oil:** Spread shredder oil onto the cutters through the feed opening, and allow the oil to sit for a few minutes to permeate the cutting blades, then press the “REV” button and hold for five seconds. “MANUAL” and “REV” LED indicators on control panel will light. The shredder will operate in reverse for one minute, then the “AUTO” LED will light indicating the shredder is ready.

## **Safety Precautions**

To avoid personal injury, and damage to the shredder, observe the following safety precautions. Please keep these instructions for future reference.

**NOTE:** In case of emergency, push the ON/OFF button on the right side, or pull the plug out of the wall outlet.

- Keep hands, long hair, clothing, ties, jewelry and other loose items away from the paper entrance.
- Do not use the shredder for anything other than its intended purpose.  
Never use it to shred cloth, plastic, cardboard or any hard material that will cause damage to the shredder blades.
- Do not allow children to use the machine.
- Do not operate with a damaged power cord or plug, or when the machine is damaged in any manner.
- Unplug the shredder when it is being moved, or if it is not in use for an extended period of time.
- Do not disconnect the power by pulling only the cord. Hold the plug when disconnecting.
- Keep the shredder away from direct sunlight.
- Do not sit on the shredder or place anything on top of it.
- Never open the fixed switch or cover.



## **Daily Maintenance**

- Disconnect power by pulling power cord plug from wall outlet.
- To clean the exterior, wipe the surface with a soft cloth. If the surface is very dirty, use a neutral detergent, then wipe again with a soft cloth.

### CAUTION:

- Never put water directly on the surface of the shredder.
- Never clean the case with benzene or thinner, since it will cause discoloration.
- Do not dismantle the shredder. Contact your Formax Dealer for service.

## **Auto Cleaning Function**

Use the Auto Cleaning function when sheet capacity is decreased.

1. Prior to using the Auto Cleaning function, spread shredder oil onto the cutters through the shred opening, and allow the oil to sit for a few minutes to permeate the cutting blades.
2. Press the REV button and hold for five seconds. Manual and Rev LED indicators on control panel will light.
3. The shredder will operate in reverse for one minute, then the Auto LED will light.

## Sensor Sensitivity Recovery Function

Over time, the shredder photo eye may lose its sensitivity. Use the following steps to reset the sensor's sensitivity.

1. If the sensor cannot detect paper:
  - Press the Stop button for five seconds.
2. If the shredder is operating without paper in the feed opening:
  - Press stop, then insert paper into the feed opening and press the Stop button for five seconds.

After following either of these steps, all LED lamps should be off, and the shredder will make a beep sound. Sensitivity is recovered and the shredder is ready to operate. Follow instructions under Operation.

## Removing Motor & Cutting Head Unit

To remove the motor and cutting head unit for servicing:

- Open front door, remove screws connecting lid to body case.
- Unplug cables and remove lid; set aside.
- Remove waste bin; set aside.
- Using a 12mm socket, remove four nuts on under side (see Figure 1).
- Carefully lift out motor/cutting head unit from the top.  
CAUTION: Heavy.



Figure 1

## Replacing Door Hinges

If the door is separated from the body housing, replace the upper and/or lower hinge, (Figures 2 and 3).

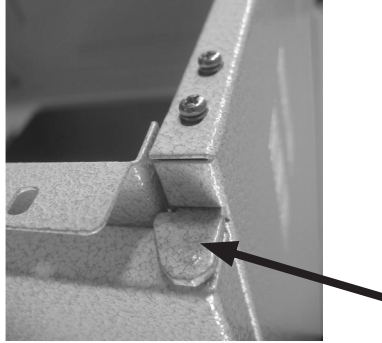


Figure 2, top hinge

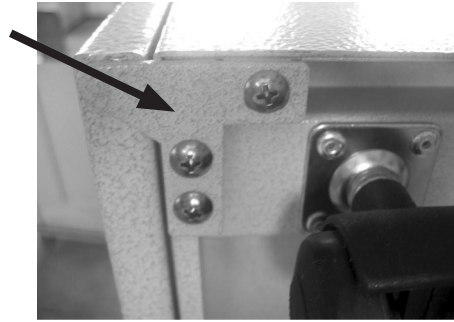


Figure 3, bottom hinge

## Replacing Casters

If casters are damaged, remove rivets and attach new casters with screw bolts (Figure 4).

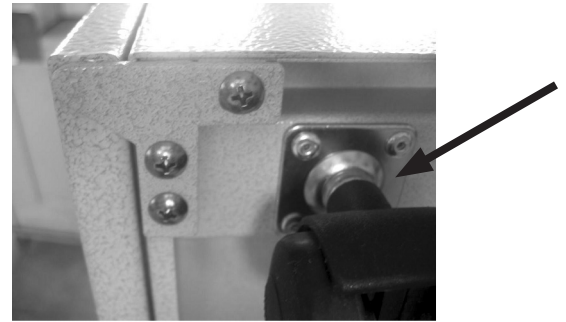
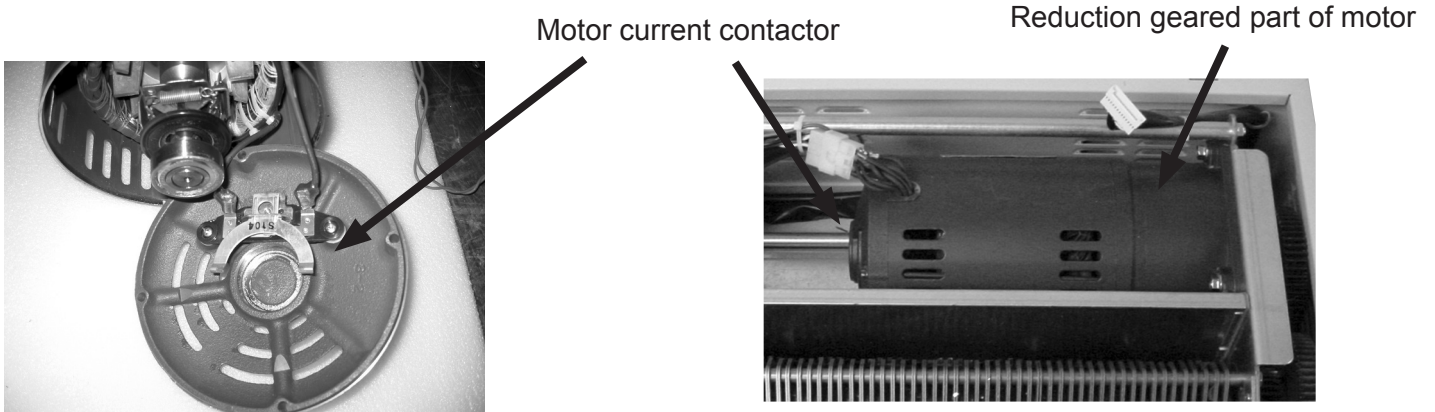


Figure 4, caster

## Repairing Motor Condenser & Contactor

If the motor doesn't work, the motor condenser or motor current contactor could be damaged. Open the motor cover, clean the contactor and adjust the gap of contactor.

Alternately, replace the motor condenser.



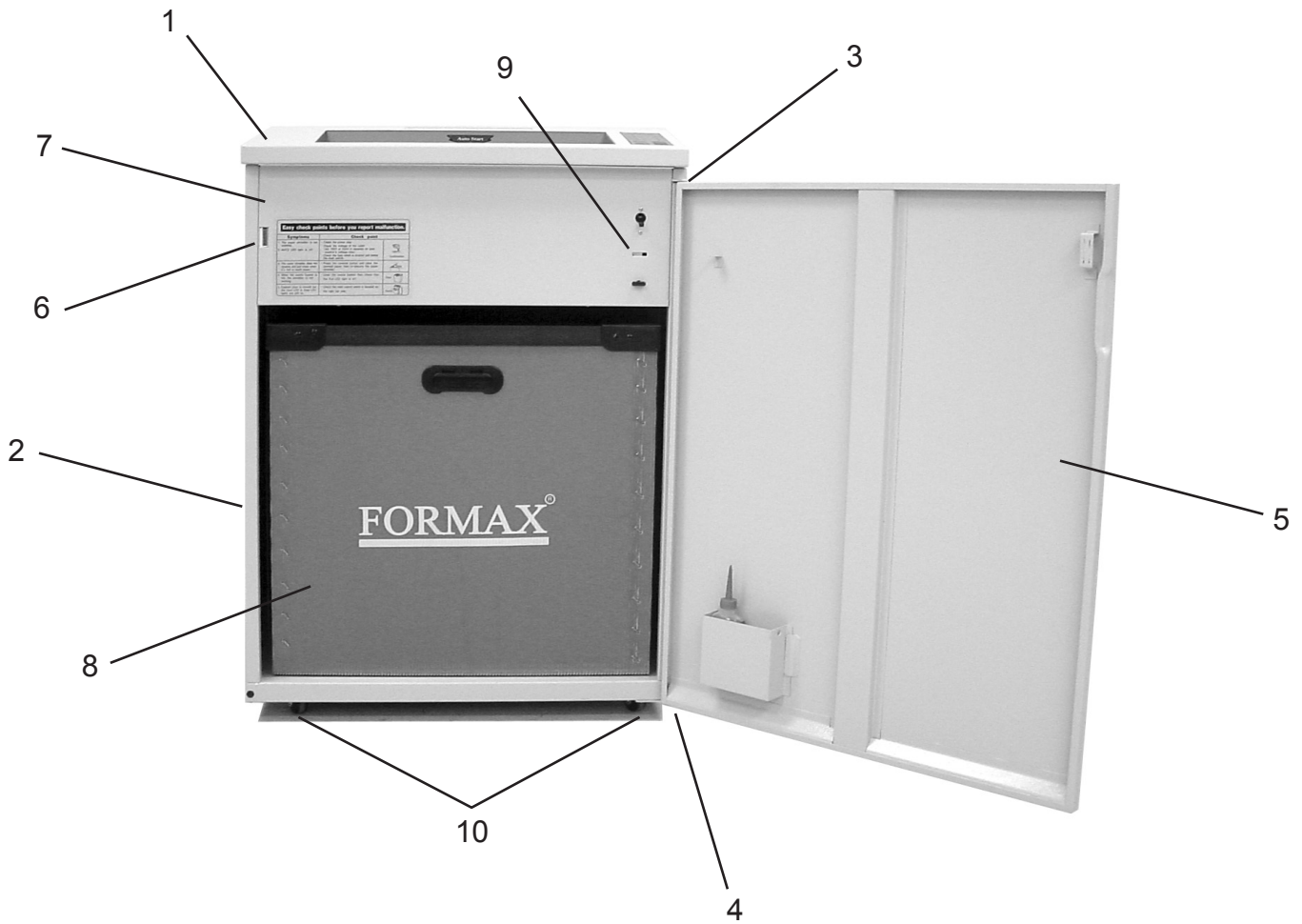
# TROUBLESHOOTING

<b>PROBLEM:</b>	<b>CHECK THIS:</b>	<b>SOLUTION:</b>
Shredder will not operate	Check that the power cord is plugged into an appropriate outlet	Plug cord into outlet
	Check voltage of power outlet	If necessary, find an alternate outlet with the appropriate voltage
	Check the wiring between the fuse connector on the PCB (page 13)	Reconnect, if necessary
Shredder capacity is decreased		Follow directions for Auto Cleaning, page 2
Main power is functioning but shredder won't operate (Main PCB)	Check main power cable (page 13) to see if it is properly connected to the Main PCB (page 13)	Reconnect, if necessary
	Check the Main PCB's printed circuit and wire disconnection of transformer	If there is a problem with the circuit and/or transformer, replace with new one
	Check the electrical contacts on the main control switch	Reconnect, if necessary
Main power is okay, but shredder is not working (electrical) NOTE: Photo sensor should be connected with the main PCB during testing.	Check the outlet for correct voltage, 120V	Use different outlet, if necessary
	Check wire connection between photo sensor and Main PCB (pages 12 & 13). If there is no output signal from Main PCB, shredder will not operate.	Reconnect cable to sensor and Main PCB
	Photo sensor could be dirty	Remove photo sensor (page 12) and clean it with a soft cloth
	Photo sensor sensitivity may need to be reset	Sensitivity measurement distance should be .4 inch (10mm). If distance is less than .4 inch, replace the photo sensor
	Check power relay contacts	Reconnect, or replace main PCB power relay if necessary. If printed circuit is damaged, replace the main PCB.
Main power is okay, but shredder is not working (mechanical)	Check motor current contactor	Open motor cover, clean contactor and adjust gap of contactor (page 5)
	Shredder may have overheated.	Wait 5-10 minutes for motor to cool down, then resume shredding
	Check motor condenser for damage	Replace motor condenser



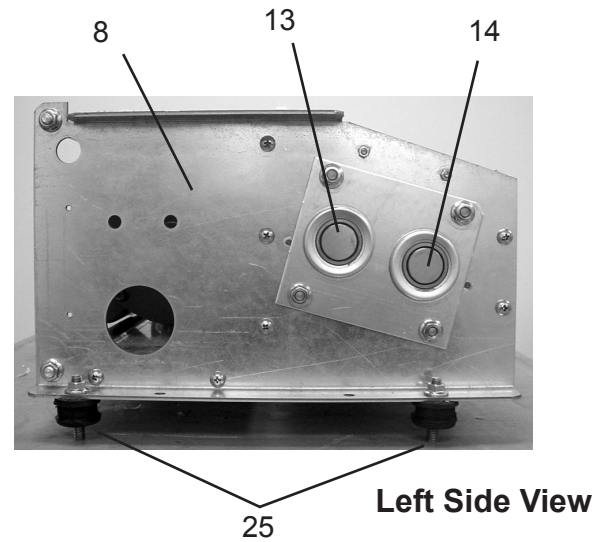
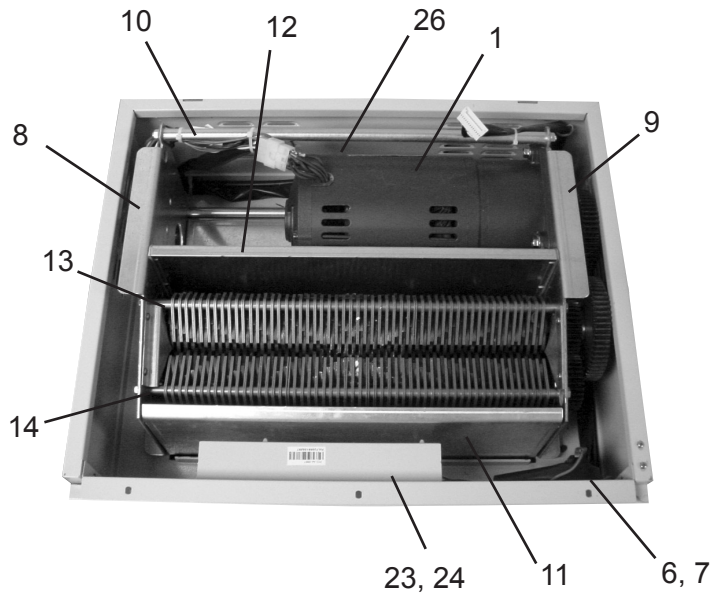
Shredder motor and blades continue to rotate	Check control panel lights to see if AUTO lamp is flashing	If so, follow instructions for Sensor Sensitivity Recovery on page 3
	Check control panel lights to see if MANUAL lamp is on	If yes, press the START button. AUTO lamp should light and shredder should operate in AUTO mode.
	Photo sensor could be dirty	Remove photo sensor (page 12) and clean it with a soft cloth
	Photo sensor sensitivity may need to be reset	Sensitivity measurement distance should be .4 inch (10mm). If distance is less than .4 inch, replace the photo sensor
	Check power relay contacts	Reconnect, or replace main PCB power relay if necessary
Reverse function will not work	Check power relay contacts (in case of electrical coil damage)	Replace power relay
	Check printed circuit for damage	If damaged, replace the Main PCB
Shredder makes an unusual or metallic noise	Check cutters for materials lodged between cutting blades and/or guides	If so, turn off shredder and carefully remove any foreign materials from the cutter. Then follow instructions for Auto Cleaning (page 2)
	Check guides and cutters for damage (pages 9 & 10)	If guides and/or cutters are broken, the whole cutting head should be replaced
	Check bearings, space rings and cutting shafts for damage (pages 9 & 10)	If any of these parts are damaged, they should be replaced, in addition to side plates
Motor makes a "tick tick" noise	Check the reduction gears for damage (page 4)	If the reduction gears are broken, replace the entire motor

# PARTS LISTS



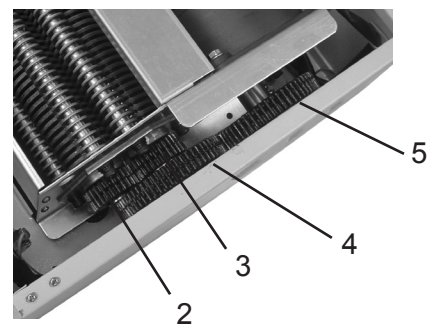
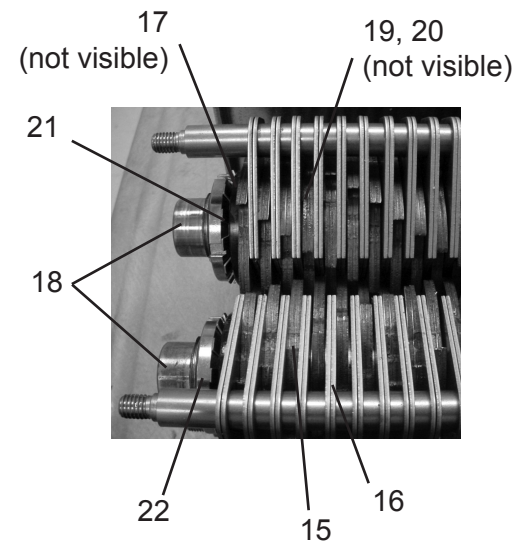
ITEM	PART #	DESCRIPTION	QTY
1	TOP-SA-0012	TOP COVER	1
2	7410-BOD-01	BODY CASE	1
3	7310-BOD-02	UPPER DOOR HINGE	1
4	7310-BOD-03	LOWER DOOR HINGE	1
5	7410-DOR-01	DOOR	1
6	7310-DOR-02	DOOR MAGNET	1
7	7410-FRT-01	FRONT COVER PLATE	1
8	WST-AA-0006	WASTE BIN	1
9	7310-ELE-03	MICRO SWITCH, DOOR, 15A (INTERNAL)	1
10	7310-CAT-01	CASTERS	4

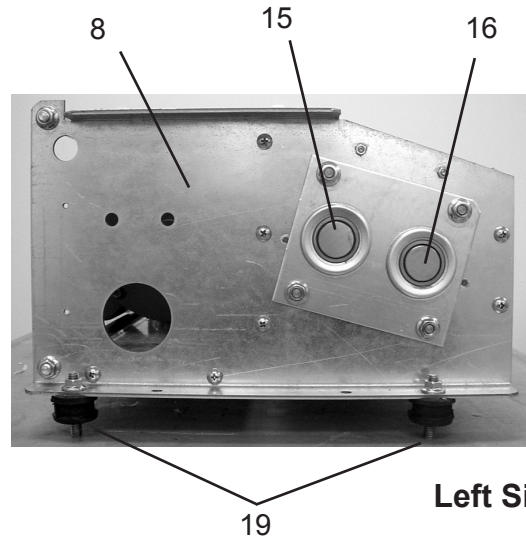
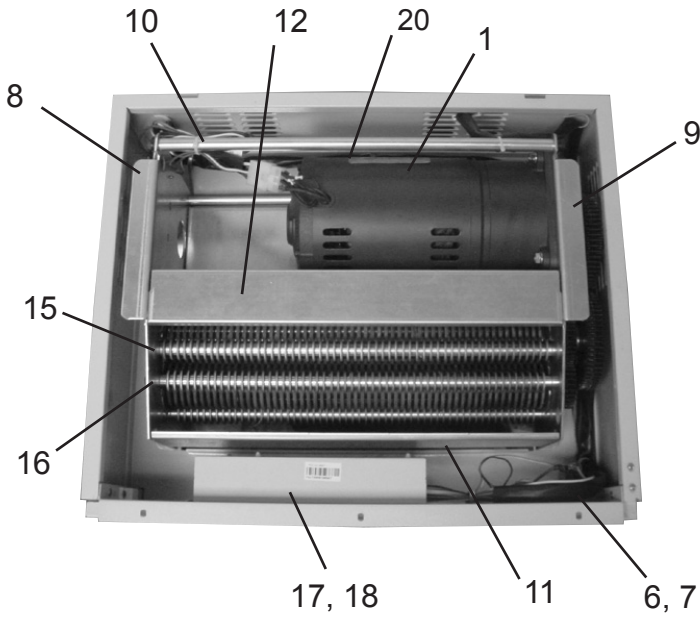
# MECHANICAL PARTS



## Cross Cut

ITEM	CROSS-CUT PART #	DESCRIPTION	QTY
1	8500-MOT-CC	MOTOR, 400W (FD 8500)	1
1	8600-MOT-CC	MOTOR, 400W (FD 8600)	1
2	7410-GEA-04	SPUR GEAR (m=2, z=31)	1
3	7410-GEA-03	SPUR GEAR (m=2, z=31)	1
4	7410-GEA-02	MAIN SPUR GEAR (m=2, z=59)	1
5	7410-GEA-01	MOTOR GEAR (m=2, z=59)	1
6	7310-ELE-01	CIRCUIT BREAKER, 15A	1
7	7310-ELE-03	MICRO SWITCH (DOOR), 15A	1
8	7410-CTB-02	SIDE PLATE, LEFT	1
9	7410-CTB-03	SIDE PLATE, RIGHT	1
10	7410-CTB-04	POST	2
11	7410-CTB-05	FRONT WASTEPROOF PLATE	1
12	7410-CTB-06	MIDDLE PLATE	1
13	7410-CTB-07	SHAFT (LONG)	1
14	7410-CTB-08	SHAFT (SHORT)	1
15	7410-CTB-09	CUTTER BLADE	-
16	7410-CTB-10	GUIDE	-
17	7410-CTB-11	RING	-
18	7310-CTB-12	BEARING (6005ZZ)	2
19	7410-CTB-13	SPACE RING ACETAL (3.0t)	-
20	7410-CTB-14	SPACE RING ACETAL (5.0t)	-
21	7410-CTB-15	BEARING WASHER (AW 06)	1
22	7410-CTB-16	BEARING NUT (AN 06)	1
23	7310-PCB-01	MAIN PCB	1
24	7310-PCB-03	MAIN PCB COVER	1
25	7310-RUB-01	VIBRATION PROOF RUBBER (025)	4
26	ELE-AA-0021	MOTOR CONDENSER	1
-	7410-CTB-00	CUTTING HEAD WITH MOTOR	-
-	7410-CTB-01	CUTTING HEAD WITHOUT MOTOR	-

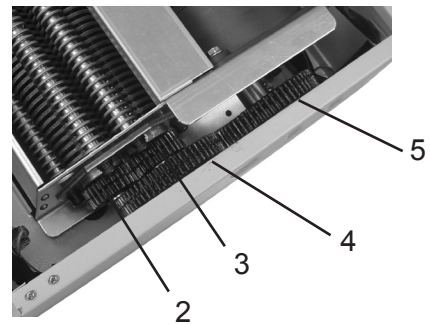
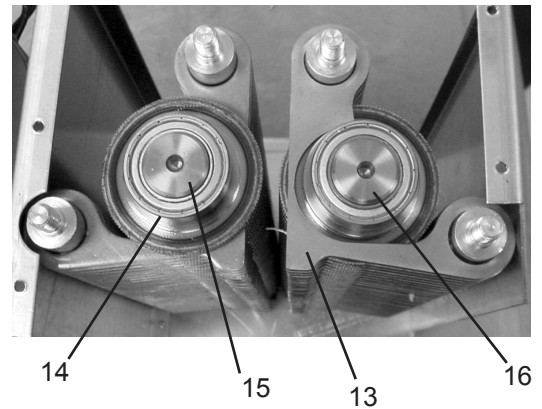


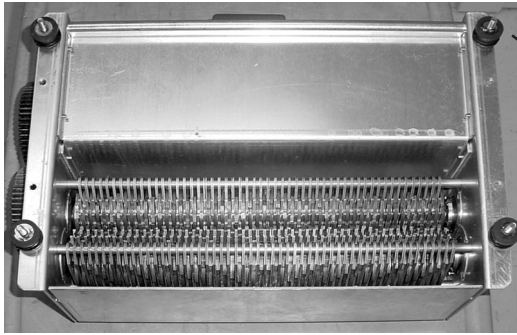


Left Side View

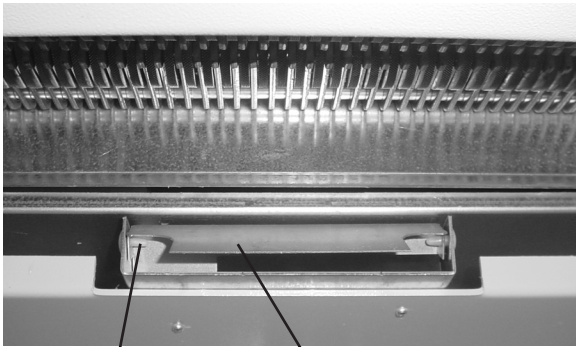
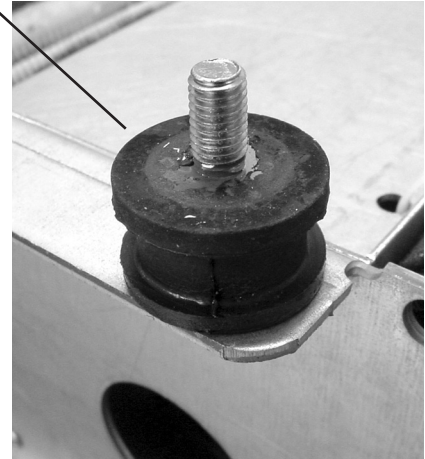
## Strip Cut

ITEM	STRIP-CUT PART #	DESCRIPTION	QTY
1	8500-MOT-SC	MOTOR, 400W (FD 8500)	1
1	8600-MOT-SC	MOTOR, 400W (FD 8600)	1
2	7410ST-GEA-04	SPUR GEAR (m=2, z=27)	1
3	7410ST-GEA-03	SPUR GEAR (m=2, z=27)	1
4	7410-GEA-02	MAIN SPUR GEAR (m=2, z=59)	1
5	7410-GEA-01	MOTOR GEAR (m=2, z=59)	1
6	7310-ELE-01	CIRCUIT BREAKER, 15A	1
7	7310-ELE-03	MICRO SWITCH (DOOR), 15A	1
8	7410ST-CTB-02	SIDE PLATE, LEFT	1
9	7410ST-CTB-03	SIDE PLATE, RIGHT	1
10	7410-CTB-04	POST	2
11	7410-CTB-05	FRONT WASTEPROOF PLATE	1
12	7410-CTB-06	MIDDLE PLATE	1
13	7410ST-CTB-09	GUIDE	-
14	7310-CTB-12	BEARING (6005ZZ)	2
15	7410ST-CTB-07	STRIP CUT CUTTER (LONG)	1
16	7410ST-CTB-08	STRIP CUT CUTTER (SHORT)	1
17	7310-PCB-01	MAIN PCB	1
18	7310-PCB-03	MAIN PCB COVER	1
19	7410-RUB-01	VIBRATION PROOF RUBBER	4
20	ELE-AA-0021	MOTOR CONDENSER	1
-	7410ST-CTB-00	CUTTING HEAD WITH MOTOR	-
-	7410ST-CTB-01	CUTTING HEAD WITHOUT MOTOR	-

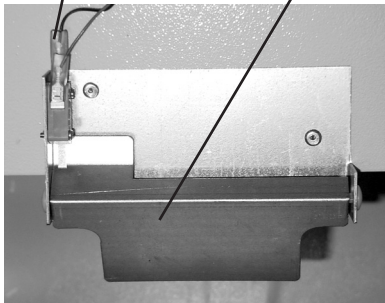




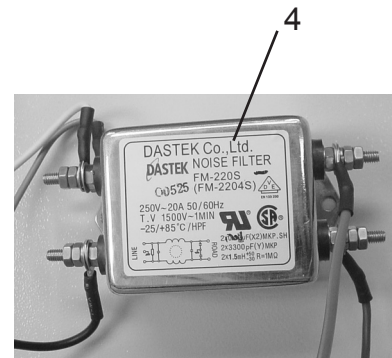
Underside View



Underside View

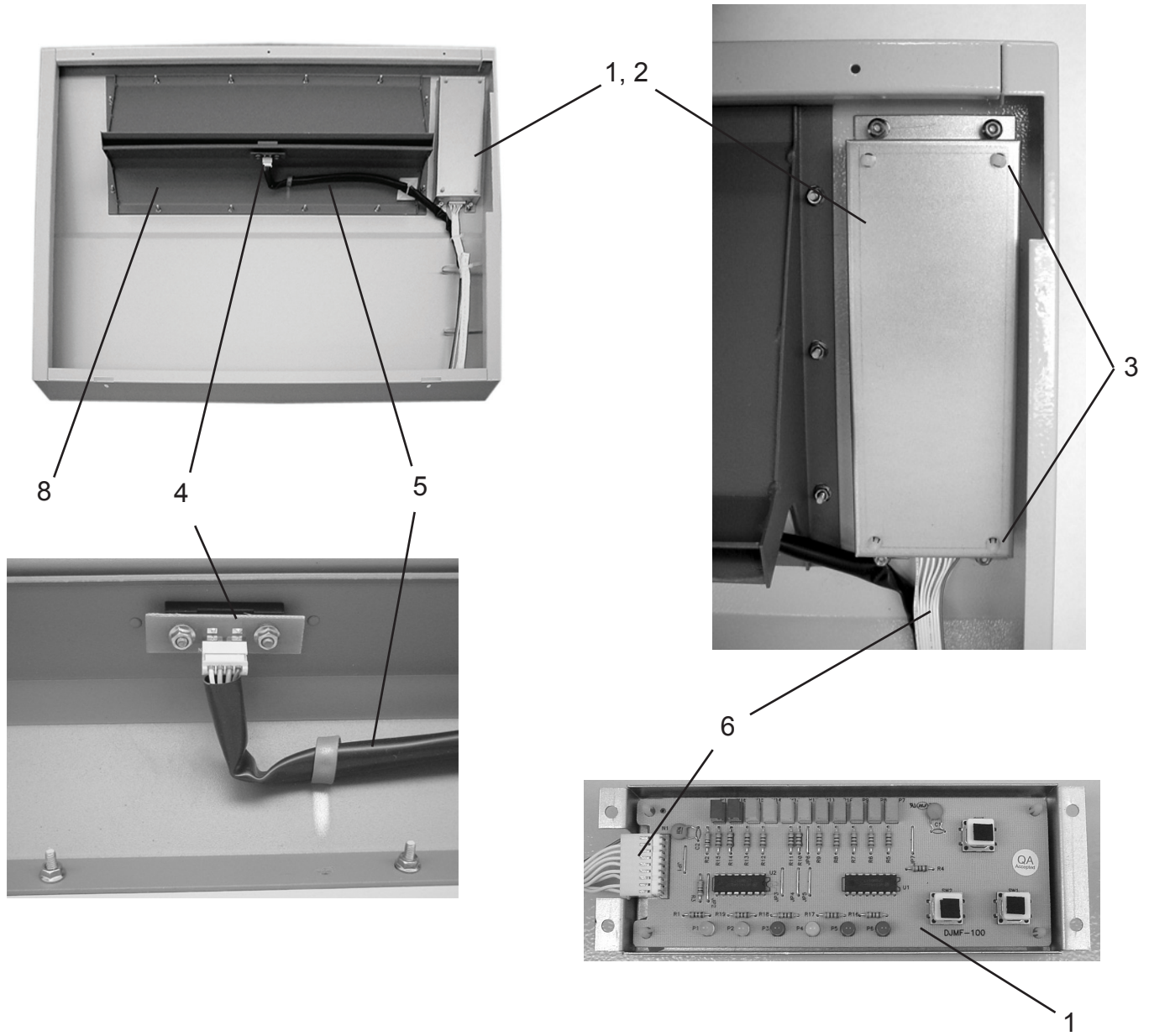


Top View

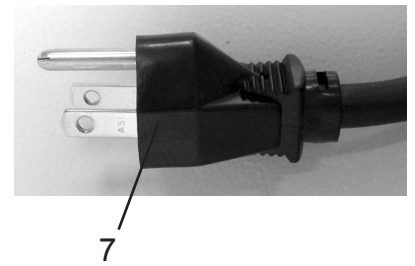


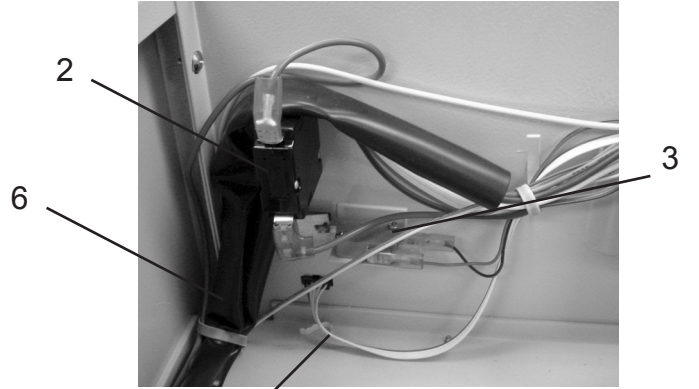
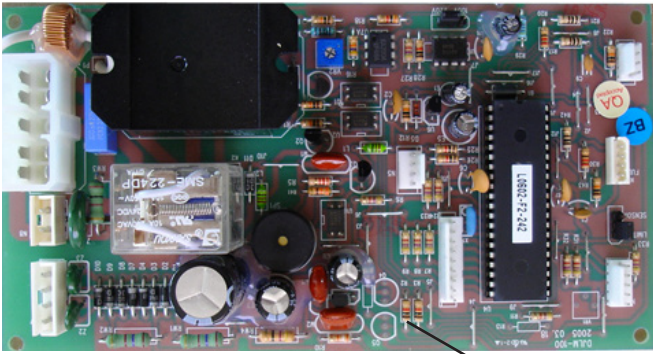
ITEM	PART #	DESCRIPTION	QTY
1	7310-RUB-01	VIBRATION-PROOF RUBBER	4
2	7310-FUL-01	WASTE BIN FULL SENSOR PLATE	1
3	7310-ELE-02	MICRO SWITCH (WASTE BIN)	1
4	7310-FIL-01	NOISE FILTER	1

# ELECTRICAL PARTS

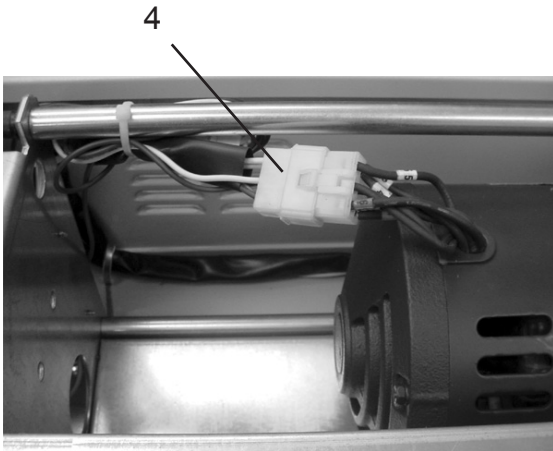
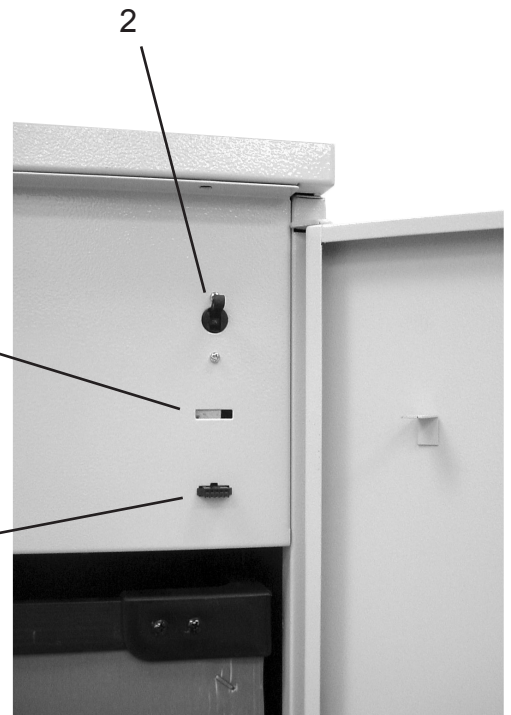


ITEM	PART #	DESCRIPTION	QTY
1	7310-PCB-02	SWITCH PCB	1
2	7410-TOP-02	SWITCH PCB COVER	1
3	7310-PCB-04	PCB SUPPORTER (JOSS-6N)	4
4	7310-SEN-01	PHOTO EYE SENSOR	1
5	7310-ELE-04	SENSOR CABLE	1
6	7310-ELE-05	BODY CABLE	1
7	7310-ELE-09	POWER PLUG	1
8	7410-THR-01	INFEEED THROAT	1





Inside View



ITEM	PART #	DESCRIPTION	QTY
1	7310-PCB-01	MAIN PCB	1
2	7310-ELE-01	MAIN POWER SWITCH/CIRCUIT BREAKER, 15A	1
3	7310-ELE-03	MICRO SWITCH (DOOR), 15A	1
4	7310-ELE-06	MAIN CABLE	1
5	7310-ELE-07	DATA OUTPUT CABLE	1
6	7310-ELE-08	DOOR FULL CABLE	1
7	7310-TRA-01	TRANSFORMER	1