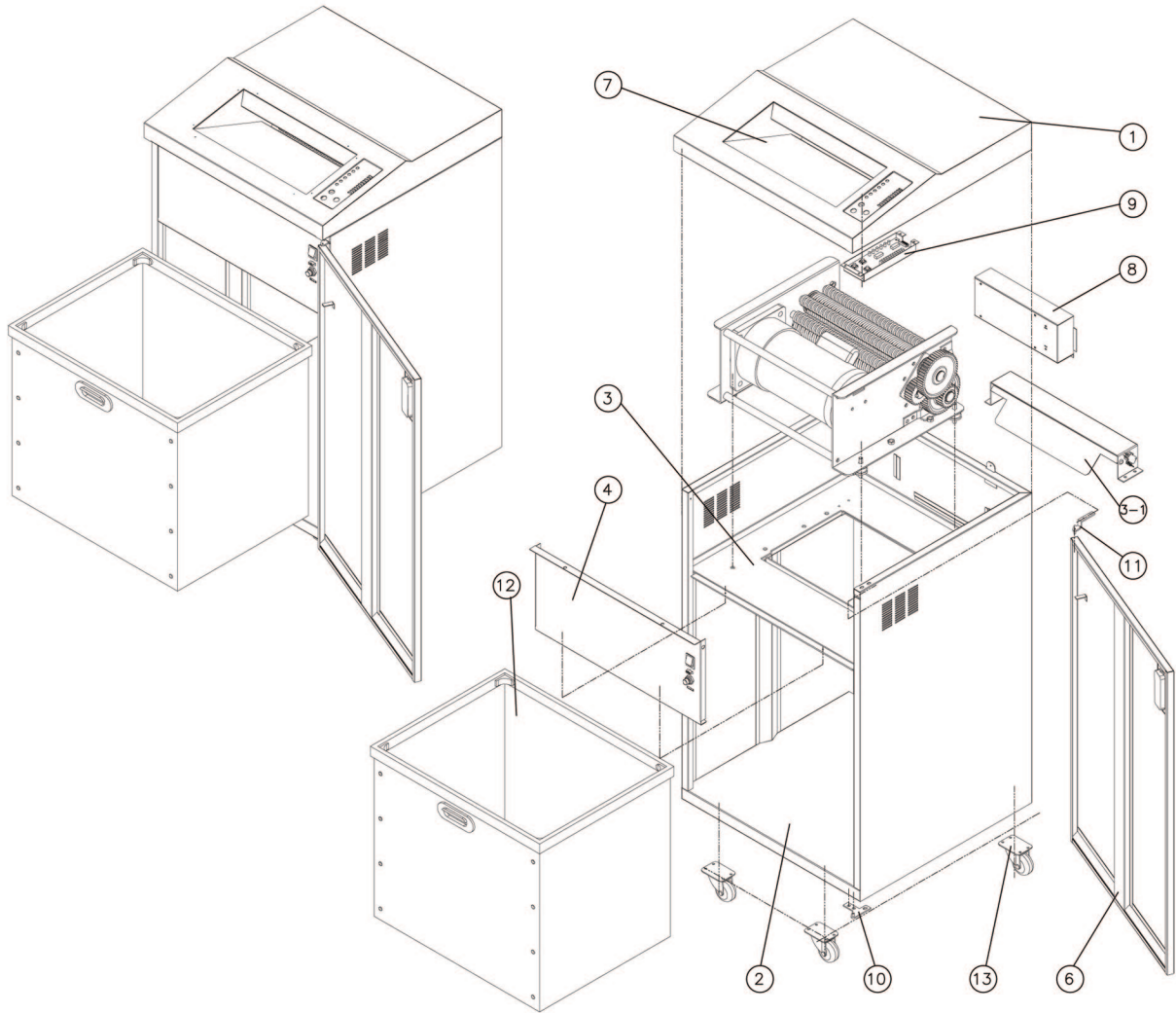


FORMAX[®]

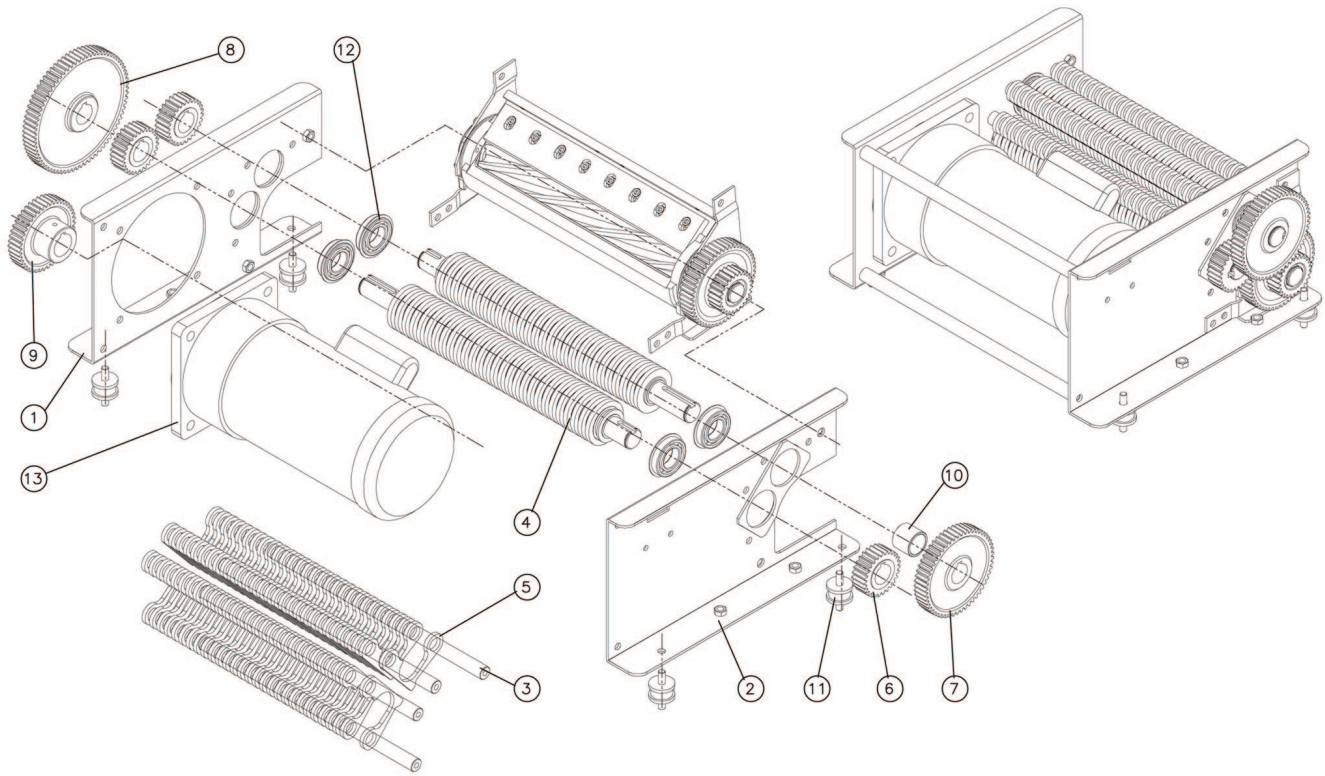
FD 87 Plasti
Plastic & Laminate Shredder

PARTS - CASE



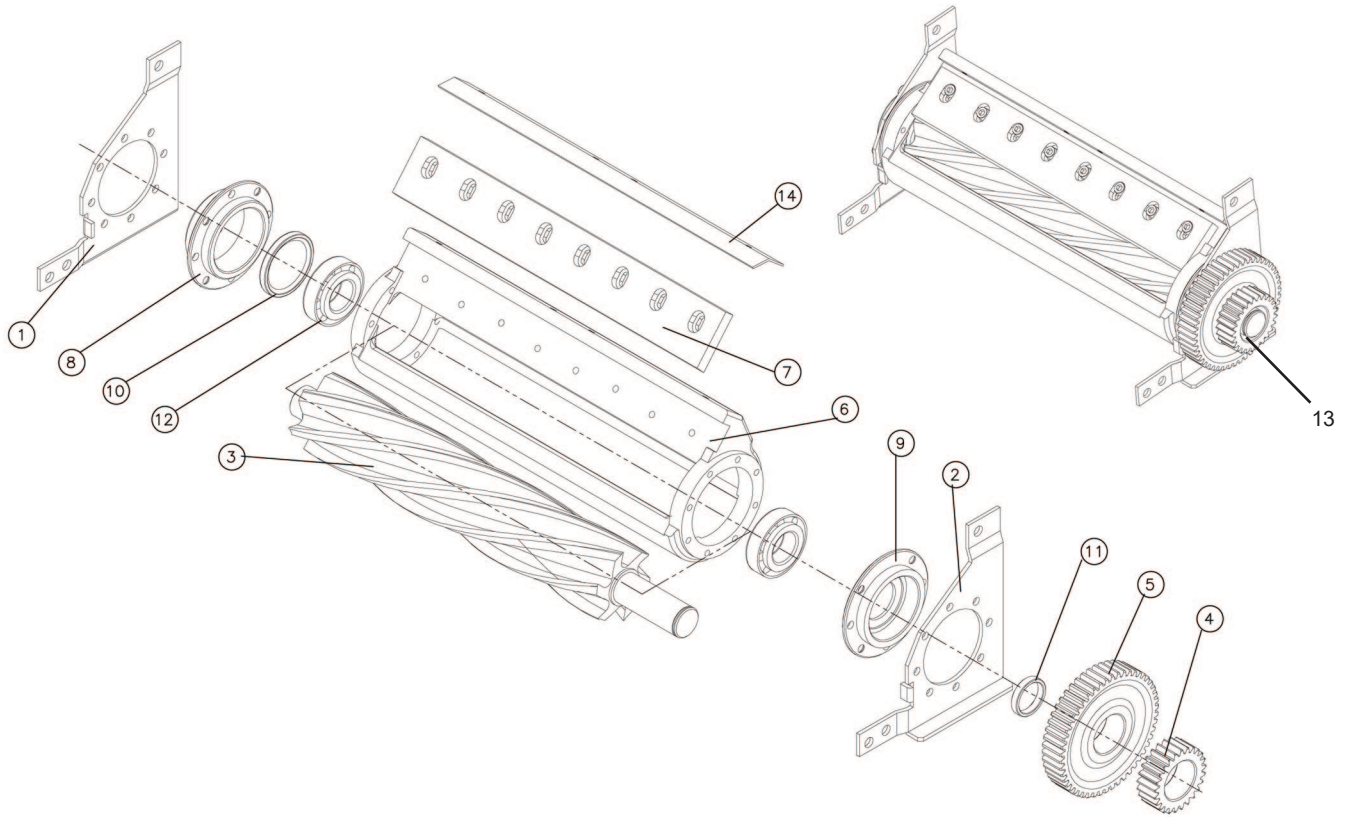
ITEM	PART #	DESCRIPTION	QTY
1	87P-A001	TOP CASE, 1.2t	1
2	87P-A002	BODY CASE, 1.2t	1
3	87P-A003	MIDDLE CASE, 3.0t	1
4	87P-A003-1	WASTE BIN FULL SENSOR, 0.8t	1
5	87P-A004	FRONT COVER, 1.2t	1
6	87P-A006	DOOR, 1.2t	1
7	87P-A007	INNER CASE (TOP CASE), 1.6t	1
8	87P-A008	PCB COVER, 1.2t (MAIN PCB)	1
9	87P-A009	SWITCH COVER, 1.2t	1
10	87P-A010	DOOR HINGE (LOWER), 3.0t	1
11	87P-A011	DOOR HINGE (UPPER), 3.0t	1
12	87P-A012	WASTE BASKET	1
13	87P-A013	CASTER	4

PARTS - CUTTING HEAD



ITEM	PART #	DESCRIPTION	QTY
1	87P-C001	SIDE PLATE (L), 3.0t	1
2	87P-C002	SIDE PLATE (R), 3.0t	1
3	87P-C003	GUIDE POST, Ø15	4
4	87P-C004	STRIP CUT BLADES, 3mm	-
5	87P-C005	GUIDE, 2.0t	-
6	87P-C006	SPUR GEAR (A), m=2, z=27	3
7	87P-C007	SPUR GEAR (B), m=2, z=53	1
8	87P-C008	SPUR GEAR (C), m=2, z=74	1
9	87P-C009	MOTOR GEAR, m=2, z=43	1
10	87P-C010	SPACE RING, L=26.0	1
11	87P-C011	VIBRATION-PROOF RUBBER	4
12	87P-C012	NR BEARING, 6005UU	4
13	87P-C013	MOTOR, 400W	1

PARTS - SPIRAL CUTTING BLOCK



ITEM	PART #	DESCRIPTION	QTY
1	87P-B001	SIDE PLATE (R), 3.0t	1
2	87P-B002	SIDE PLATE (L), 3.0t	1
3	87P-B003	SPIRAL CUTTER, HEX 32	1
4	87P-B004	SPUR GEAR (A), m=2, z=25, with one-way clutch bearing	1
5	87P-B005	SPUR GEAR (B), m=2, z=50	1
6	87P-B006	SPIRAL CUTTER HOUSING	1
7	87P-B007	LINEAR CUTTER	1
8	87P-B008	BEARING HOLDER (L)	1
9	87P-B009	BEARING HOLDER (R)	1
10	87P-B010	SPACE RING (A), 6.0t	1
11	87P-B011	SPACE RING (B), 6.0t (Ø25.3)	1
12	87P-B012	TAPERED ROLLER BEARING, NTN 4T 30205	1
13	87P-B013	ONE-WAY CLUTCH BEARING, NTN HF2520	1
14	87P-A014	SPIRAL CUTTING BLOCK COVER, 1.2t	1

NOTE: The spur gear A (#4) is assembled with a one-way clutch bearing (#13).

PARTS - ELECTRICAL

