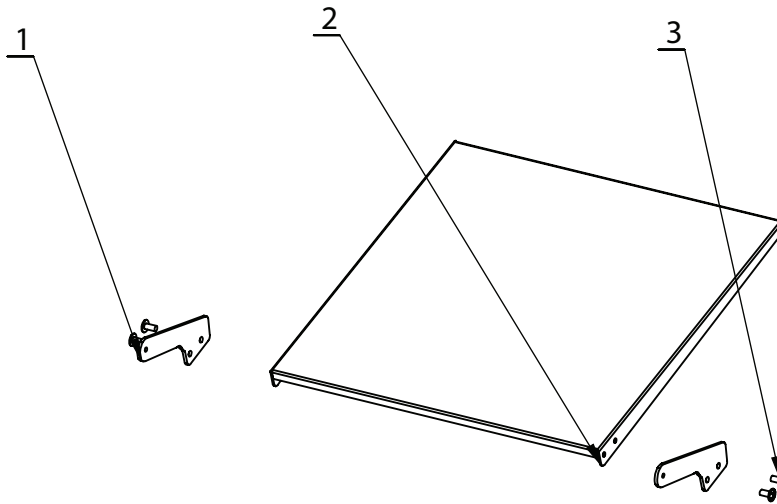


FORMAX[®]

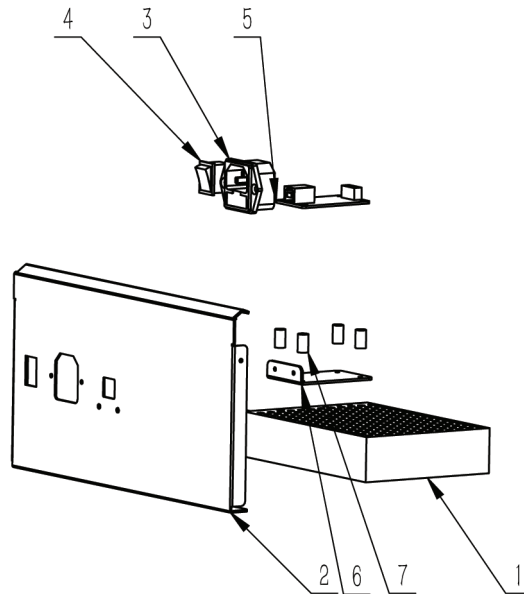
FlashCard
Business Card Cutter

INFEED TRAY EXTENSION



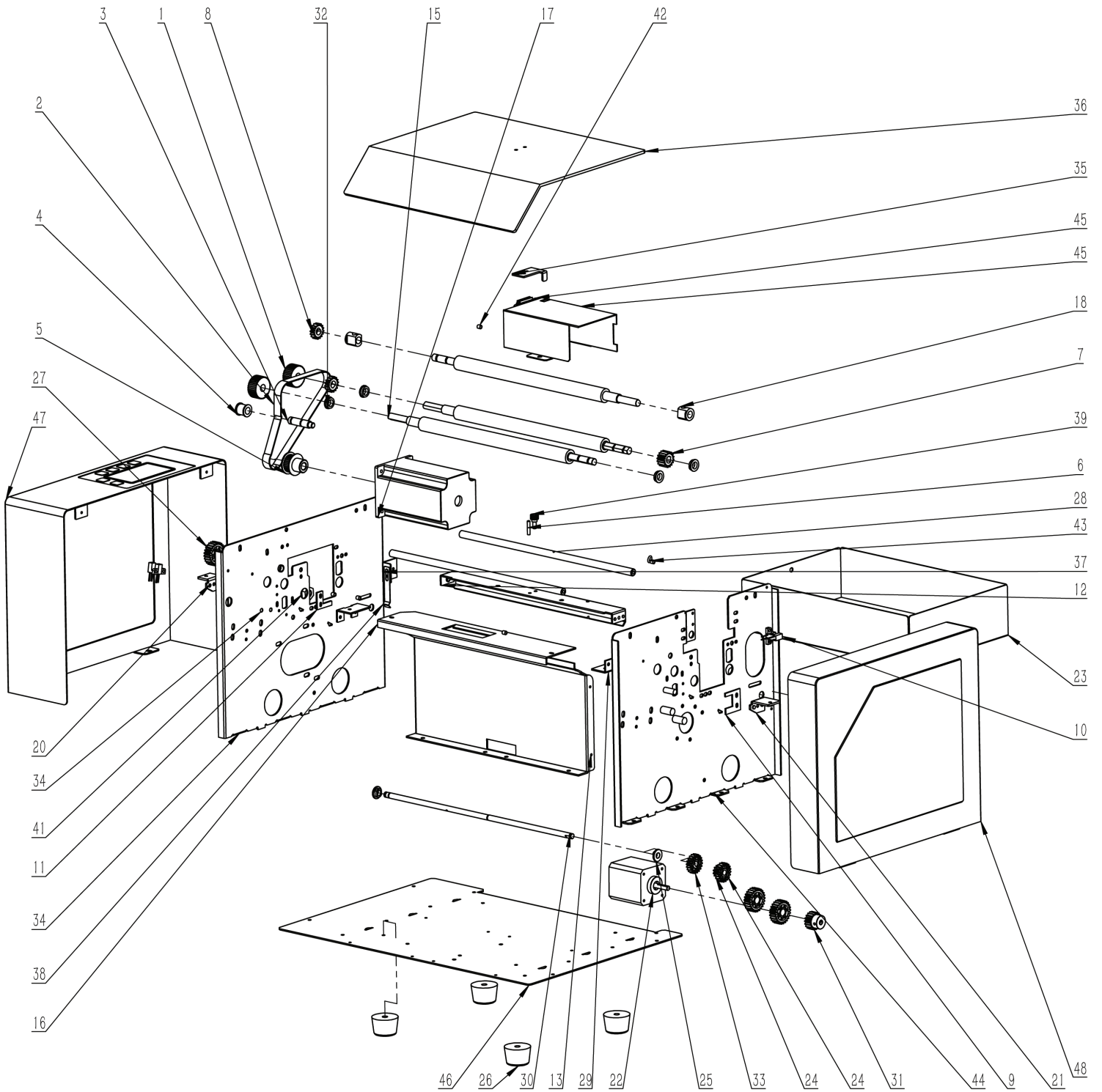
ITEM	PART #	DESCRIPTION	QTY
1	TZ2101001	Gasket	2
2	TZ2101002	Infeed Tray	1
3	TZ2101003	M4 x 8 screw	4

ELECTRONIC PART PLATE ASSEMBLY



ITEM	PART #	DESCRIPTION	QTY
1	DQ2101001	Switch power	1
2	DQ2101002	Switch fix plate	1
3	DQ2101003	Power socket	1
4	DQ2101004	Power switch	1
5	DQ2101005	USB interface board	1
6	DQ2101006	USB fix base	1
7	DQ2101007	Plastic pillars	4

GENERAL ASSEMBLY

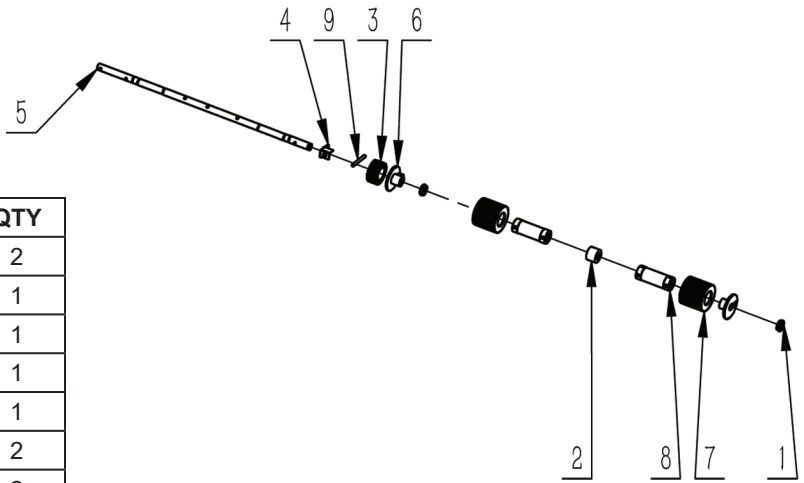


GENERAL ASSEMBLY

ITEM	PART #	DESCRIPTION	QTY
1	JJ2101001	MXL40 synchronous wheel	2
2	JJ2101002	Synchronous belt	1
3	JJ2101003	Wheel axle	1
4	JJ2101004	Bearing	1
5	JJ2101005	MXL32 synchronous wheel	1
6	JJ2101006	Elastic pin	1
7	JJ2101007	Gear 1x16-10	1
8	JJ2101008	Gear 1x16-5	2
9	JJ2101009	Copper sleeve positioning plate	1
10	JJ2101010	Paper feed sensor TP807	2
11	JJ2101011	Copper sleeve limit bar	1
12	JJ2101012	Beam B	1
13	JJ2101013	Separate plate	1
14	JJ2101014	Slitter cassette fix shaft	1
15	JJ2101015	Rubber roller	3
16	JJ2101016	Guide plate	1
17	JJ2101017	57 Step motor	1
18	JJ2101018	Copper sleeve 081410	2
-	JJ2101019	Slitter cassette fix shaft	1
20	JJ2101020	Horizon cutter left support	1
21	JJ2101021	Horizon cutter right support	1
22	JJ2101022	42 Step motor	1
23	JJ2101023	Waste bin	1
24	JJ2101024	Gear 1x25	1
25	JJ2101025	Copper sleeve 061014	2
26	JJ2101026	Rubber foot	4

27	JJ2101027	Gear 1x25	3
28	JJ2101028	d8h260 shaft	2
29	JJ2101029	Guide plate support	2
30	JJ2101030	d6h282 shaft	1
31	JJ2101031	42 Step motor gear	1
32	JJ2101032	F0812	4
33	JJ2101033	Gear 1x20	1
34	JJ2101034	Left support plate	1
35	JJ2101035	Safety cover switch	1
36	JJ2101036	Top cover	1
37	JJ2101037	Paper feed axle position plate support	1
38	JJ2101038	Paper feed axle position plate	1
39	JJ2101039	Screw M4x8	1
40	JJ2101040	D3h30 elastic pin	1
41	JJ2101041	M8 nut	2
42	JJ2101042	Copper sleeve D4L4	5
43	JJ2101043	O ring D8d4	1
44	JJ2101044	Right support plate	1
45	JJ2101045	Protect cover assembly	1
46	JJ2101046	Base plate	1
47	JJ2101047	Operator side cover	1
48	JJ2101048	Non-operator side cover	1

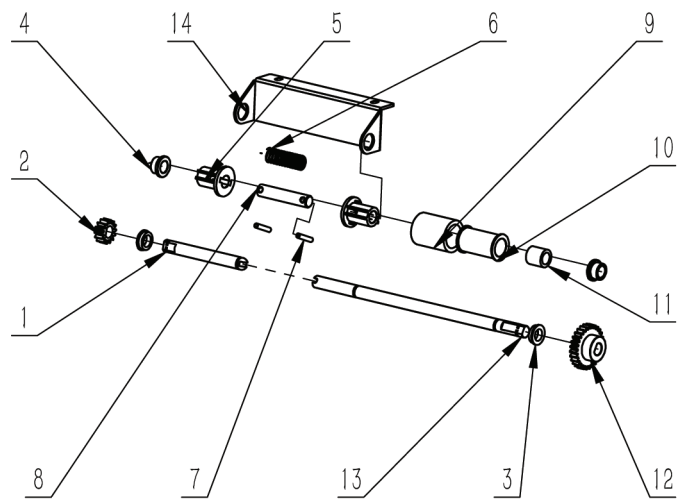
FEED ROLLER ASSEMBLY



ITEM	PART #	DESCRIPTION	QTY
1	CZ2101001	F0812 bearing	2
2	CZ2101002	Copper sleeve	1
3	CZ2101003	Gear	1
4	CZ2101004	Sensor support	1
5	CZ2101005	d8h291 axle	1
6	CZ2101006	Position wheel	2
7	CZ2101007	Feed roller	2
8	CZ2101008	Feed roller core	2
9	CZ2101009	D3h30 elastic pin	1

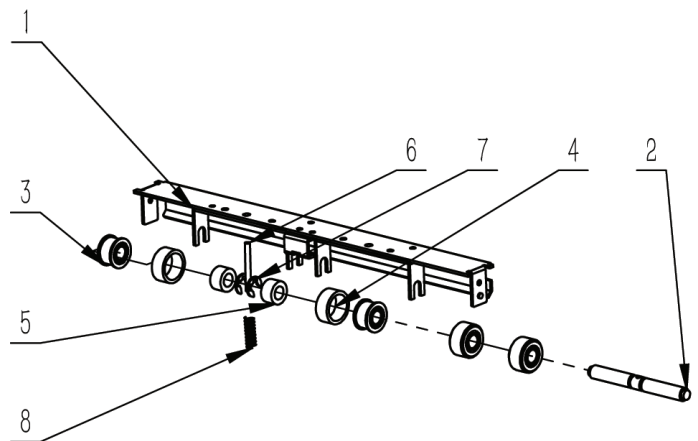
FEED ROLLER ASSEMBLY #2

ITEM	PART #	DESCRIPTION	QTY
1	CZ2102001	d8h67 axle	1
2	CZ2102002	Gear 1/14	1
3	CZ2102003	F0812 bearing	2
4	CZ2102004	Copper sleeve	2
5	CZ2102005	Elastic coupling	2
6	CZ2102006	Spring	1
7	CZ2102007	Elastic pin	2
8	CZ2102008	d8h41 axle	1
9	CZ2102009	Paper separation roller	1
10	CZ2102010	Separation roller core	1
11	CZ2102011	Bearing	1
12	CZ2102012	Gear 1/28	1
13	CZ2102013	d8h175 axle	1
14	CD2102014	Paper separation support	1

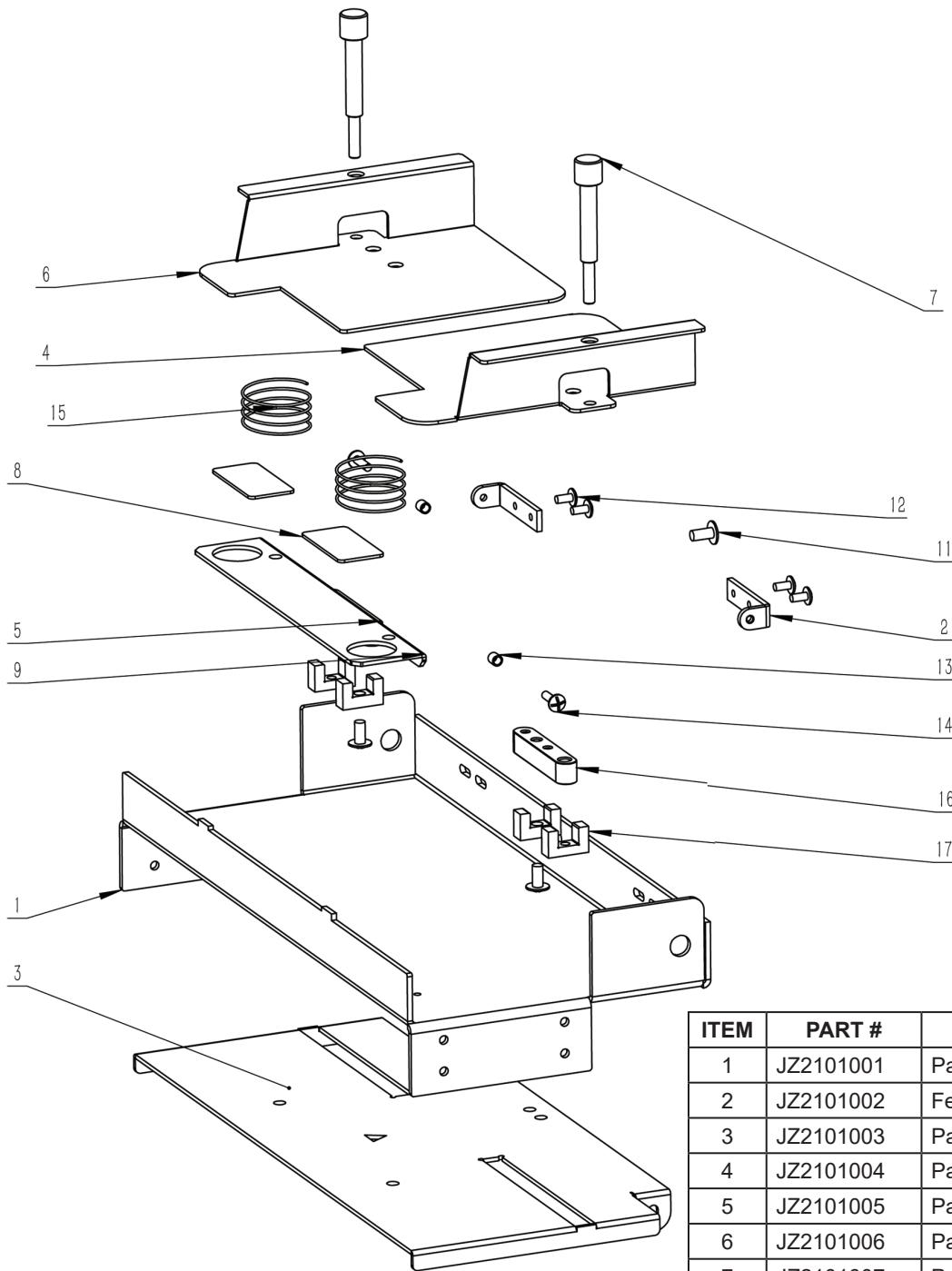


PRESS ROLLER ASSEMBLY

ITEM	PART #	DESCRIPTION	QTY
1	YZ2101001	Press roller support	1
2	YZ2101002	d8h75 shaft	1
3	YZ2101003	Roller wheel structure	4
4	YZ2101004	Roller wheel D20L8.5	4
5	YZ2101005	Nylon sleeve	2
6	YZ2101006	D3h30 elastic pin	1
7	YZ2101007	6mm Ring	2
8	YZ2101008	Spring D5.8h20	1

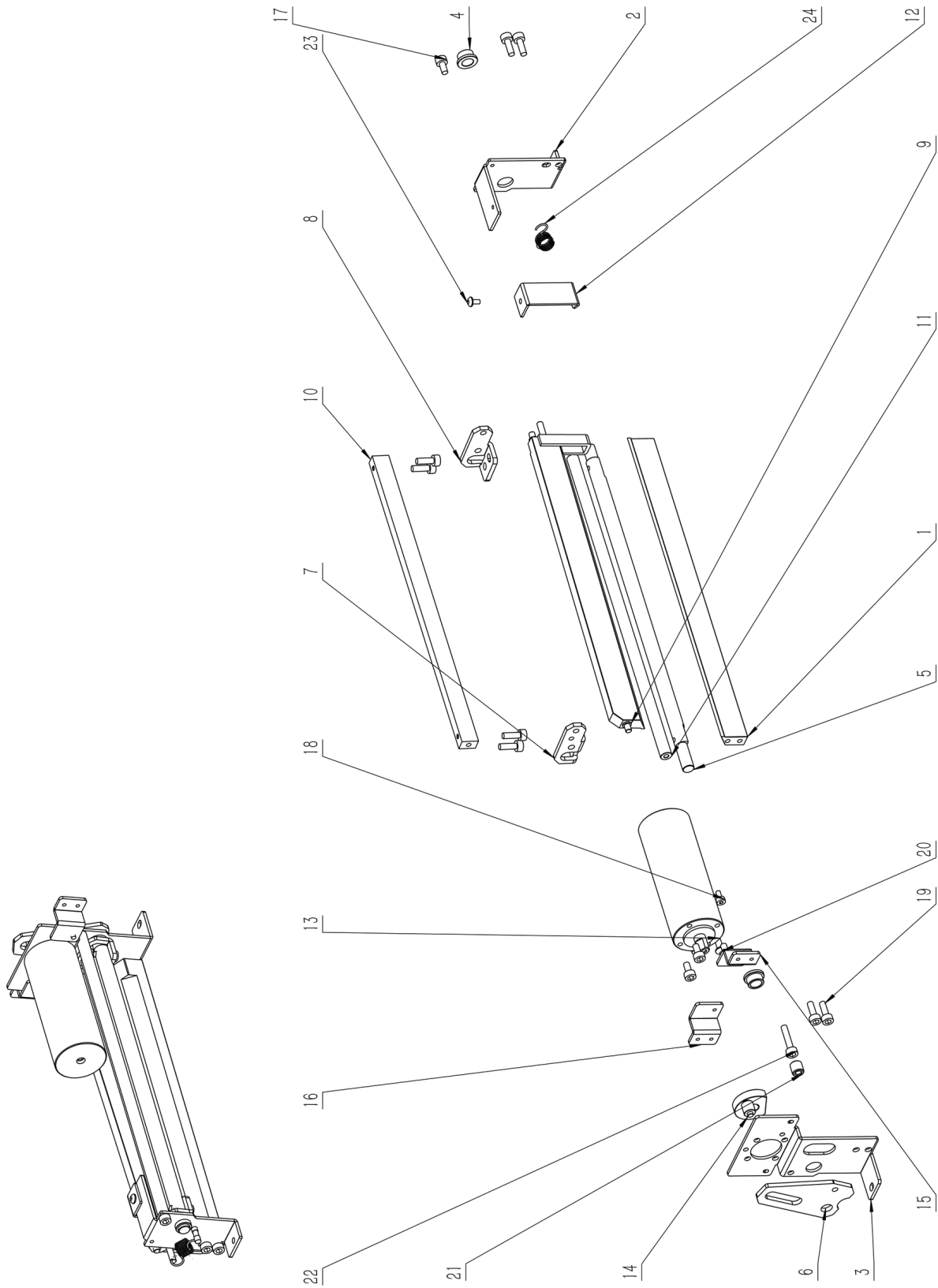


PAPER FEED PLATE ASSEMBLY



ITEM	PART #	DESCRIPTION	QTY
1	JZ2101001	Paper feed plate support	1
2	JZ2101002	Feed plate fix support	2
3	JZ2101003	Paper feed plate	1
4	JZ2101004	Paper feed left guide	1
5	JZ2101005	Paper feed right slide block	2
6	JZ2101006	Paper feed right guide	1
7	JZ2101007	Paper feed guide fix screw	2
8	JZ2101008	Paper separator	2
9	JZ2101009	Paper feed spring support	1
10	n/a	n/a	
11	JZ2101010	M4 x 8 screw	3
12	JZ2101011	M3 x 6 screw	4
13	JZ2101012	Copper sleeve, D4/L4	2
14	JZ2101013	M3 x 10 screw	2
15	JZ2101014	Paper feed plate spring	2
16	JZ2101015	Paper feed plate lock slide	2
17	JZ2101016	Paper feed plate lock nut	2

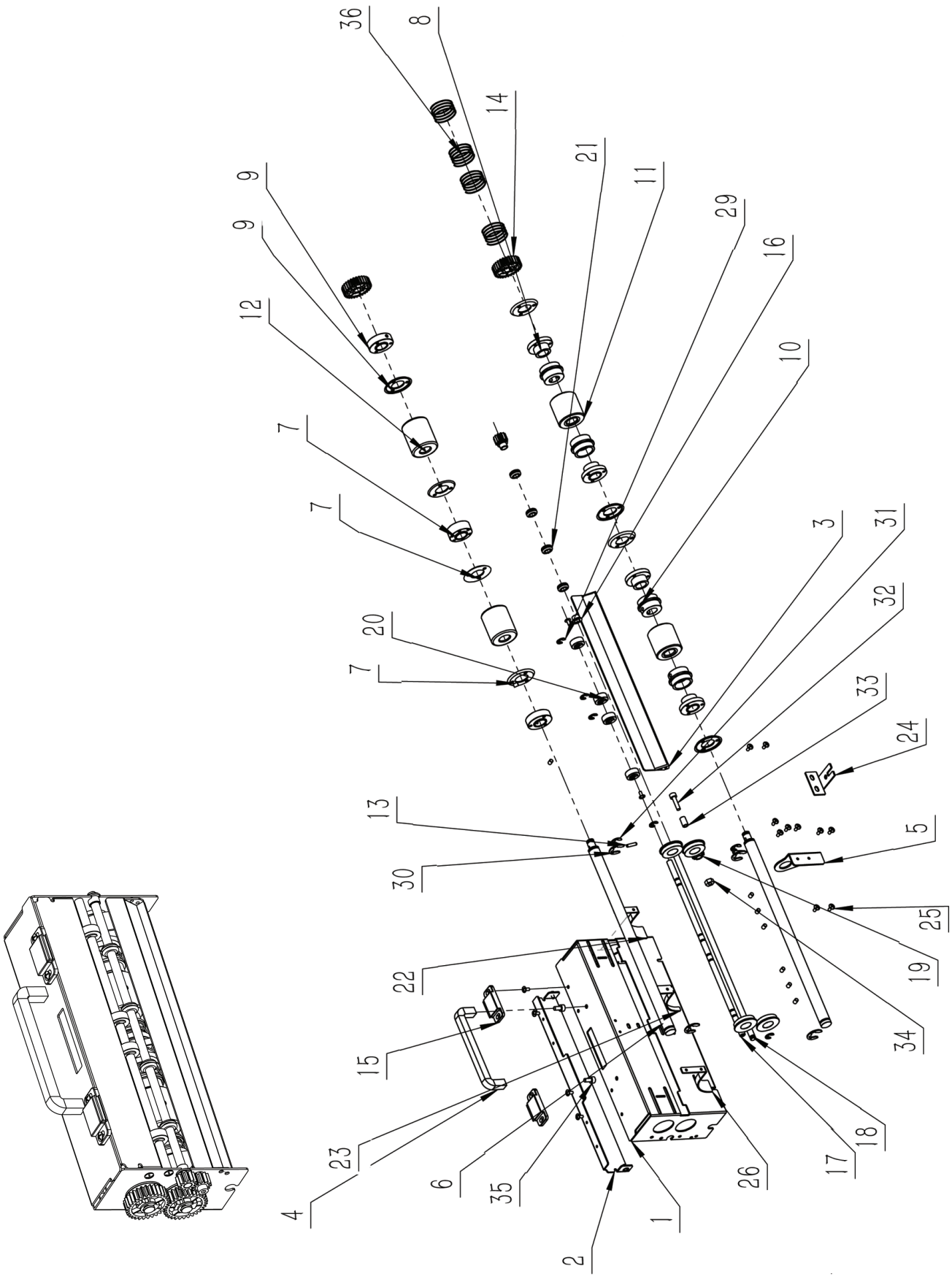
HORIZONTAL BLADE ASSEMBLY



HORIZONTAL BLADE ASSEMBLY

ITEM	PART #	DESCRIPTION	QTY
1	DH2101001	Lower horizontal blade	1
2	DH2101002	Left support	1
3	DH2101003	Right support	1
4	DH2101004	Copper sleeve	2
5	DH2101005	Rotate axle 276	1
6	DH2101006	Connect plate	1
7	DH2101007	Horizontal blade support right	1
8	DH2101008	Horizontal blade support left	1
9	DH2101009	Upper horizontal blade	1
10	DH2101010	Support pole	1
11	DH2101011	Round support pole	1
12	DH2101012	Paper block	1
13	DH2101013	Horizontal blade motor	1
14	DH2101014	Horizontal blade cam	1
15	DH2101015	Motor support 1	1
16	DH2101016	Motor support 2	1
17	DH2101017	M4 x 8 screw	5
18	DH2101018	M3 x 6 screw	2
19	DH2101019	M4 x 12 screw	8
20	DH2101020	Pan head M4 x 8 screw	1
21	DH2101021	Sleeve D8 x 8	1
22	DH2101022	M4 x 20 screw	1
23	DH2101023	Pan head M3 x 6 screw	1
24	DH2101024	Horizontal blade spring	1

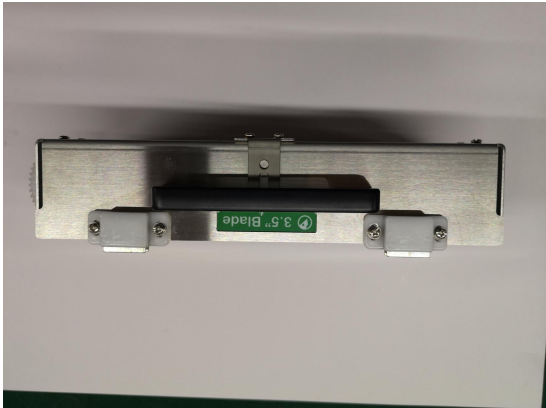
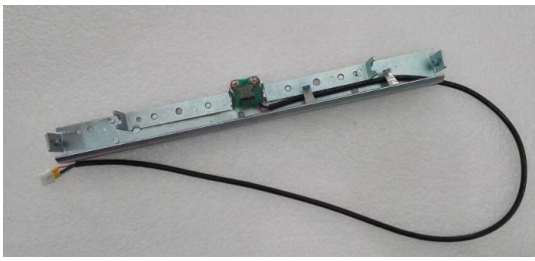


SLITTER CASSETTE

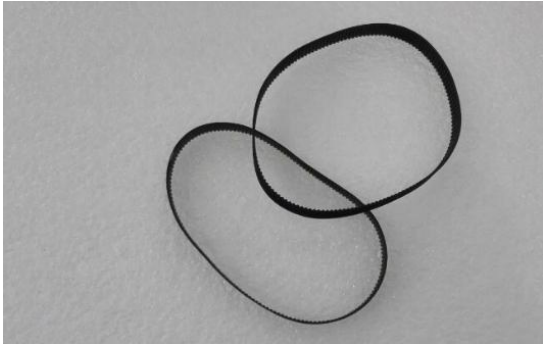








SLITTER CASSETTE






ITEM	PART #	DESCRIPTION	QTY
1	DZ2101001	Slitter cassette box	1
2	DZ2101002	Cassette box support SLDPRT	1
3	DZ2101003	Cassette box support B	1
4	DZ2101004	Handle bar	1
5	DZ2101005	Slitter cassette support	1
6	DZ2101006	Transmission shaft	2
7	DZ2101007	Roller blade fix sleeve	1
8	DZ2101008	Side down blade assembly 2	4
9	DZ2101009	Side blade assembly 1	2
10	DZ2101010	Slitter cassette spring base	4
11	DZ2101011	Silica gel roller wheel	2
12	DZ2101012	Nylon roller wheel	2
13	DZ2101013	3mm Cylindrical pin	2
14	DZ2101014	GB - Spur gear 1M 30T 20PA	2
15	DZ2101015	Magnet	2
16	DZ2101016	Copper sleeve	2
17	DZ2101017	Paper out shaft D6L232.5	1
18	DZ2101018	Paper out shaft D6L250	1
19	DZ2101019	GB - Spur gear 1M 12T 20PA	2
20	DZ2101020	Roller wheel	4
21	DZ2101021	Rubber wheel	4
22	DZ2101022	Left full bleed piece	1
23	DZ2101023	Middle full bleed piece	1
24	DZ2101024	Slitter cassette fix support	1
25	DZ2101025	M3 x 6 screw	18
26	DZ2101026	Right full bleed piece	1
27	n/a		
28	n/a		
29	DZ2101027	5mm Ring	9
30	DZ2101028	10mm Ring	4
31	DZ2101029	6mm Ring	2
32	DZ2101030	M4 x 16 screw	1
33	DZ2101031	d4D6L10.5 sleeve	1
34	DZ2101032	M4 Nut	1
35	DZ2101033	M4 x 8 screw	2
36	DZ2101034	Slitter cassette press spring	4
-	DZ2101035	Flange bearing F6901ZZ	4





Flashcard Common Spare Parts List

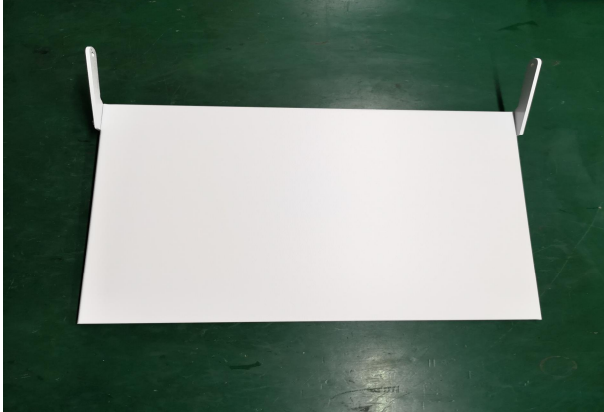


Item	Parts description	Picture	
FC110-1	Vertical blade assembly	 A photograph of a vertical blade assembly. It consists of a long, thin metal blade mounted on a metal frame. A green label on the blade reads "3.5 Blade". The assembly is shown from a top-down perspective.	
FC110-2	Black mark sensor assembly	 A photograph of a black mark sensor assembly. It is a long, thin metal strip with a black cable attached to one end. The assembly is shown from a top-down perspective.	
FC110-3	Paper feed roller back	 A photograph of a paper feed roller back. It consists of two white rollers mounted on a central metal shaft. The rollers are shown from a top-down perspective.	
FC110-4	Paper feed roller front	 A photograph of a paper feed roller front. It consists of two white rollers mounted on a central metal shaft. The rollers are shown from a top-down perspective.	

FC110-5	Paper feed drive belt		
FC110-6	Driving wheel		
FC110-7	Main board		
FC110-8	LCD panel		

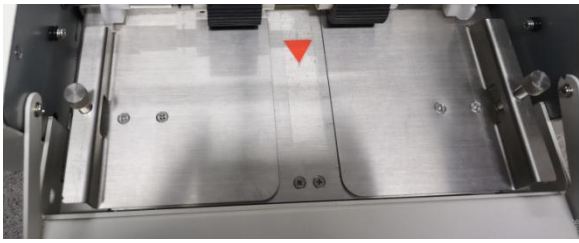

FC110-9	Vertical blade hobbing		
FC110-10	Vertical blades		
FC110-11	Protection cover assembly		
FC110-12	Electric power		

FC110-13	Feeding roller		
FC110-14	Paper feeding motor		
FC110-15	Paper cutting motor		
FC110-16	Double-sheet reverse feeding wheel		
FC110-17	Black mark sensor		

FC110-18	USB connection line		
FC110-19	Horizontal blade sensor		
FC110-20	Waste paper box		
FC110-21	Paper feed rubber roller		

FC110-22	Feed tray		
FC110-23	Left side of cover		
FC110-24	Right side of cover		

FC110-25	Stacker		
FC110-26	Paper-in sensor		
FC110-27	Paper feed rubber roller		
FC110-28	USB panel Power port Power switch		

FC110-29	Paper tray	 A photograph of a rectangular metal paper tray. The tray has a central slot and a red triangle pointing downwards in the center. There are several screws and adjustment knobs on the sides.	
FC110-30	Horizontal blade	 A photograph of a long, thin metal horizontal blade. It has a central slot and is mounted on a metal frame with adjustment knobs at both ends.	