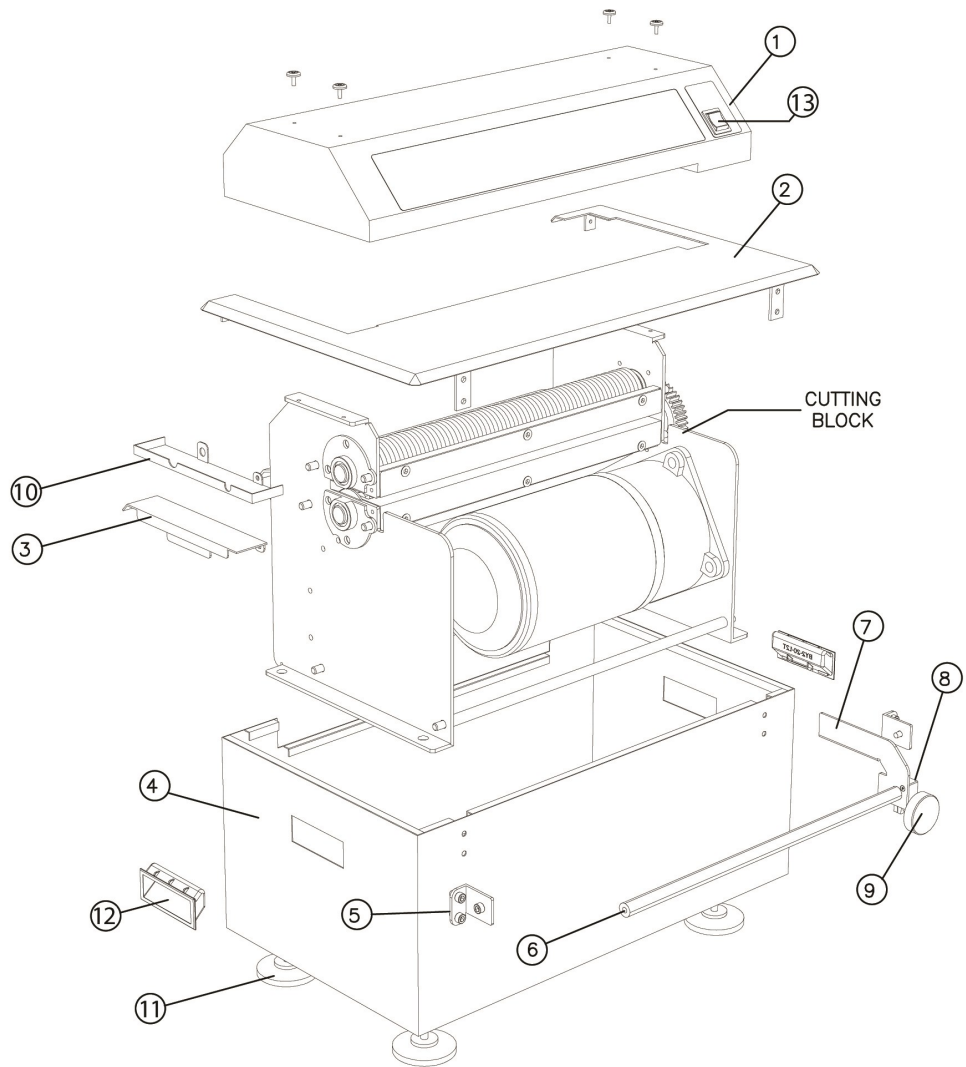
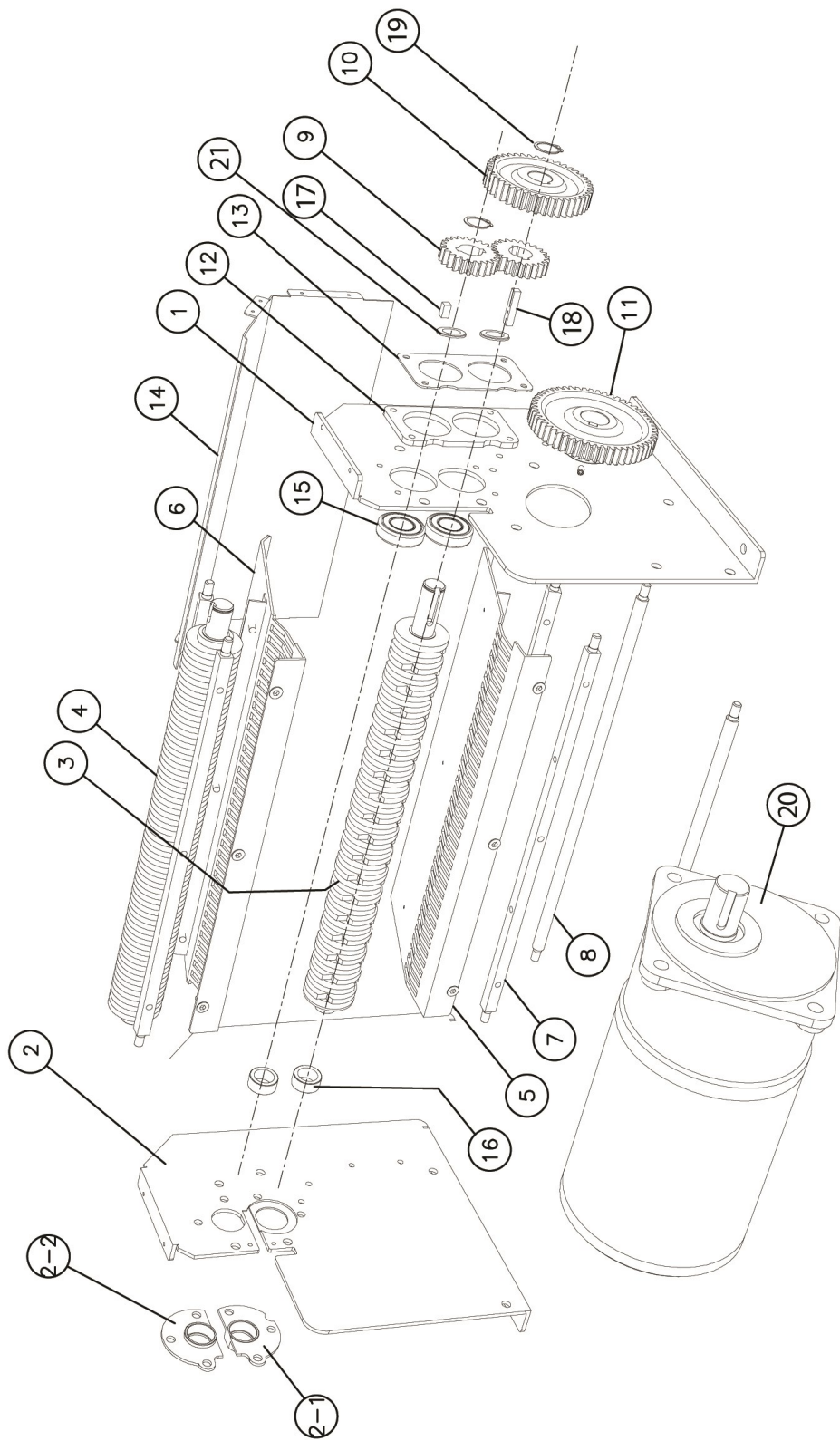


FORMAX[®]

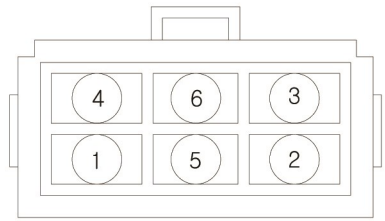
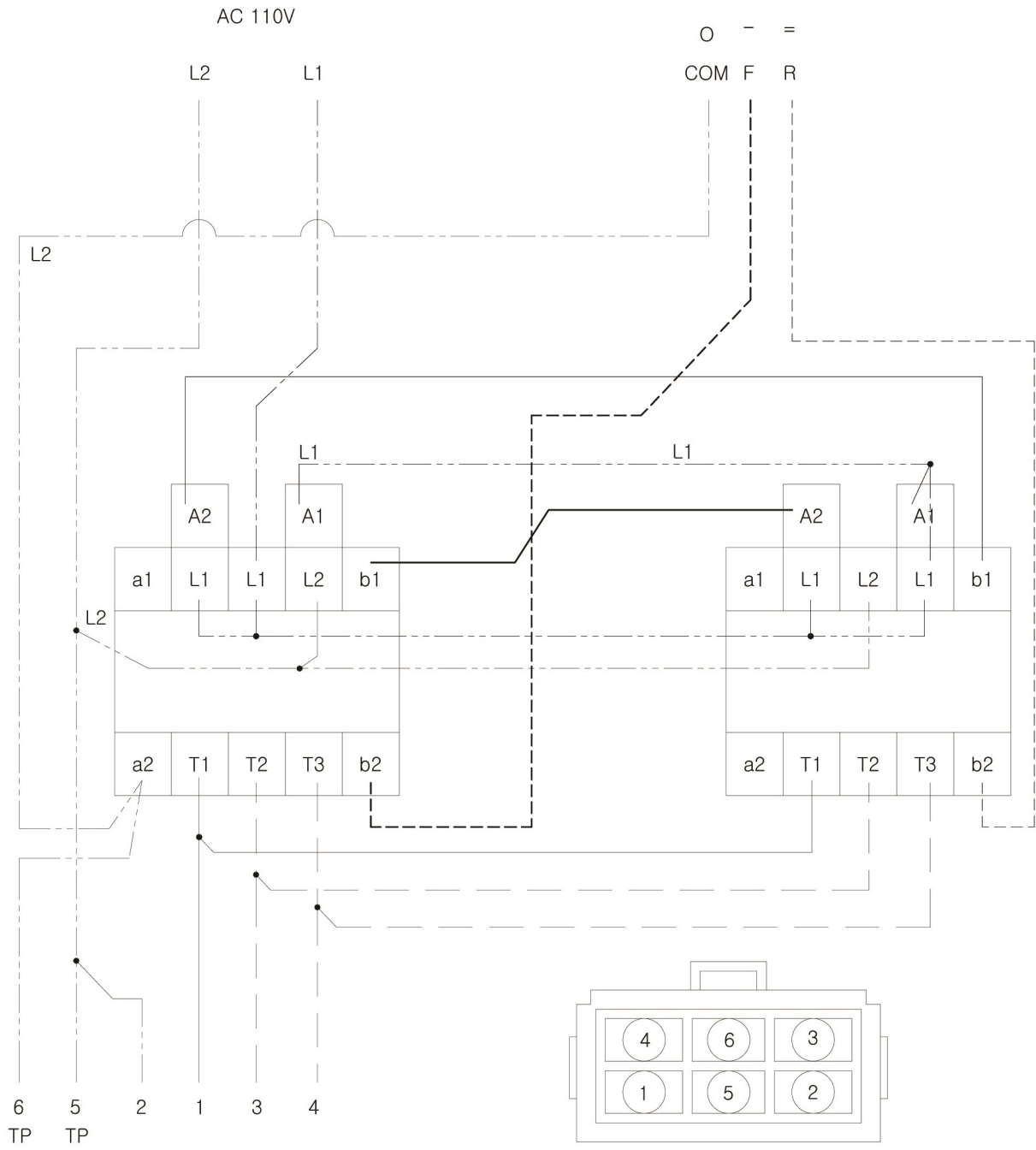
Greenwave 410
Cardboard Perforator



No.	Part #	Description	Qty
1	GW-410CA001	TOP COVER	1
2	GW-410CA002	TOP BOARD	1
3	GW-410CA003	SUB BOARD	1
4	GW-410CA004	BODY	1
5	GW-410CA005	CUTTING GUIDE BRACKET	1
6	GW-410CA006	CUTTING GUIDE POST	1
7	GW-410CA007	CUTTING GUIDE MODULATOR	1
8	GW-410CA008	CUTTING GUIDE BUSHING	1
9	GW-410CA009	CUTTING GUIDE HANDLE	1
10	GW-410CA011	SUB TOPCOVER	1
11	GW-410CA013	VIBRATION-PROOF RUBBER FEET	4
12	GW-410CA014	TRANSPORT HANDLES	2
13	GW-410CA016	SWITCH	1
-	GW-410CA017	SWITCH HARNESS (SET)	1
-	GW-410CA018	POWER CORD	1



No.	Part #	Description	Qty
1	GW-410CB001	SIDE PLATE (R)	1
2	GW-410CB002	SIDE PLATE (L)	1
2-1	GW-410CB002-1	BEARING HOUSING (A)	1
2-2	GW-410CB002-2	BEARING HOUSING (B)	1
3	GW-410CB003	LONG SHAFT	1
4	GW-410CB004	SHORT SHAFT	1
5	GW-410CB005	GUIDE (A)	1
6	GW-410CB006	GUIDE (B)	1
7	GW-410CB007	SQUARE POST	1
8	GW-410CB008	POST	1
9	GW-410CB009	SPUR GEAR (A)	2
10	GW-410CB010	SPUR GEAR (B)	1
11	GW-410CB011	MOTOR GEAR	1
12	GW-410CB012	BEARING HOUSING 1	1
13	GW-410CB013	BEARING HOUSING 2	1
14	GW-410CB014	REAR COVER	1
15	GW-410CB015	BEARING	2
16	GW-410CB016	OILLESS BEARING	2
17	GW-410CB020	KEY (A)	1
18	GW-410CB021	KEY (B)	1
-	GW-410CB022	KEY (C)	1
19	GW-410CB023	SNAP RING	1
20	GW-410CB024	MOTOR	1
21	GW-410CB028	SPACE RING	2



CB 410(400W) CONNECTOR